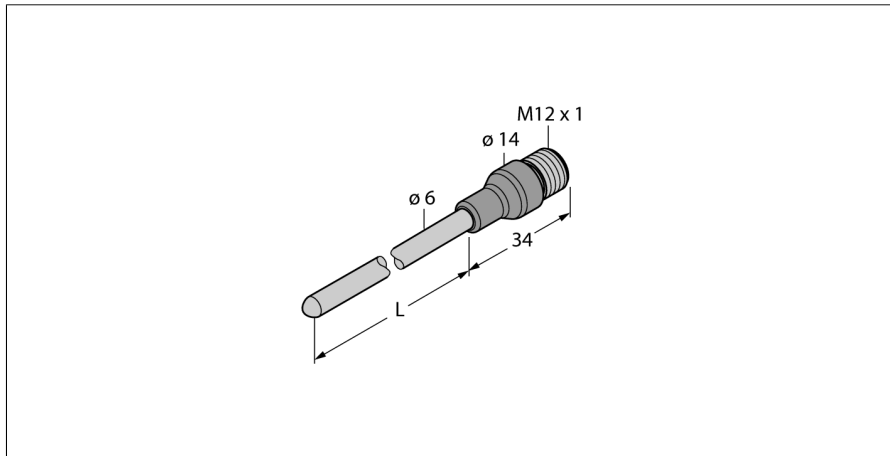


Temperature measurement

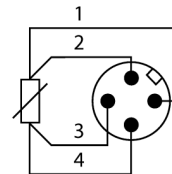
Probe

TP-206A-CF-H1141-L050



- Pt-100 probe acc. to DIN EN 60751
- Vibration and shock-resistant
- Connectable to TS, TTM, IM34, BL20, BL67
- Max. temperature connector: 90 °C
- 4-wire connection technology

Wiring Diagram



General description

Resistance thermometers are used for the detection and monitoring of temperatures to optimize and control a process.

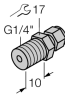
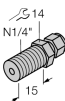
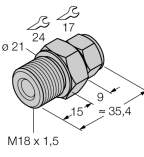
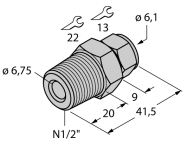
Typical applications are in machine and plant construction as well as in the process industry.

The core element of the temperature probe is a temperature-dependent resistor.

Type designation	TP-206A-CF-H1141-L050
Ident-No.	9910646
Temperature range	
Measuring range	-50...120 °C
Temperature operating range	-58...248 °F
Accuracy	0.15 °C + 0.002 · t (-30 ...350 °C)
Self-heating	0.4 K/mW bei 0°C
Measuring element	Pt-100 probe, DIN EN 60751, class A
Response time	t 0.5 = 6 s / t 0.9 = 15 s in water at 0.2 m/s
Immersion depth (L)	50 mm
Protection type and class	IP67
Ambient conditions	
Ambient temperature	-40...+120 °C
Storage temperature	-40...+85 °C
Housing	
Housing material	Stainless steel, 1.4404 (316L)
Sensor material	Stainless steel, 1.4404 (316L)
Process connection	For compression fittings, thermowell or direct mounting
Electrical connection	Connector, M12 × 1
Pressure resistance	100 bar
Reference conditions acc. to IEC 61298-1	
Temperature	15...+25 °C
Atmospheric pressure	860...1060 hPa abs.
Humidity	45...75 % rel.
Auxiliary power	24 VDC
MTTF	2283 years acc. to SN 29500 (Ed. 99) 20 °C

Temperature measurement
Probe
TP-206A-CF-H1141-L050

Accessories

Type code	Ident-No.	Description	
CF-M-6-G1/4-A4	9910483	Compression ferrule fittings for direct mounting of temperature probes	
CF-M-6-N1/4-A4	9910484	Compression ferrule fittings for direct mounting of temperature probes	
CF-M-6-M18-A4	9910525	Compression ferrule fittings for direct mounting of temperature probes	
CF-M-6-N1/2-A4	9910529	Compression ferrule fittings for direct mounting of temperature probes	
CF-M-6-G1/2-A4	9910530	Compression ferrule fittings for direct mounting of temperature probes	