



L3305

LINEAR INTEGRATED CIRCUIT

LOW VOLTAGE CLASS B AMPLIFIER

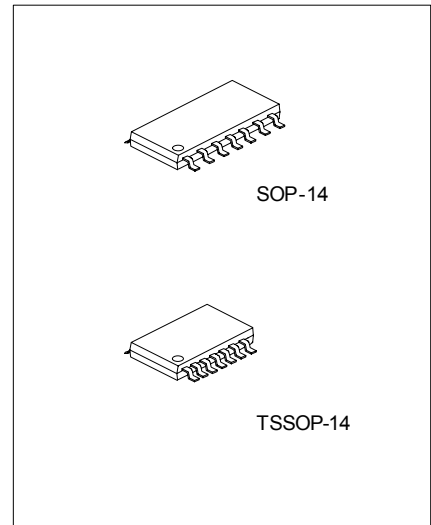
DESCRIPTION

The UTC **L3305** can be operated as a class B amplifier. It can also operated as a medium power "vari-bias" class A amplifier.

It include a preamplifier with adjustable gain and a power amplifier.

FEATURES

- * Low Operating Voltage range (1V ~ 3V)
- * Low Operating current consumption
- * Feedback stabilized gain less than 80 dB
- * Output power exceeds 140 dB SPL



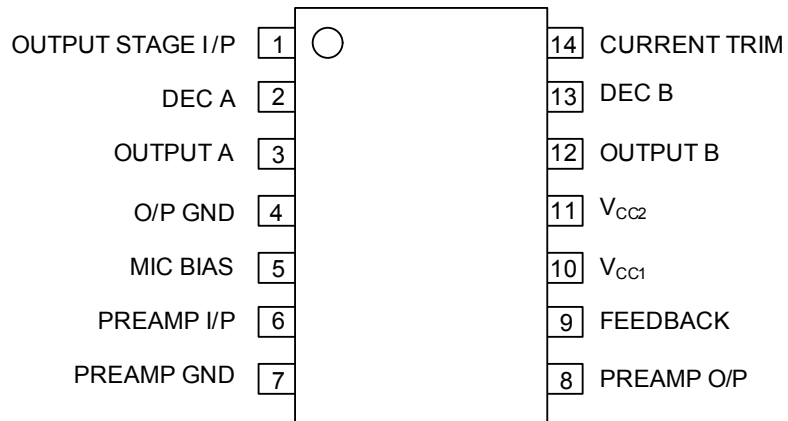
*Pb-free plating product number: L3305L

ORDERING INFORMATION

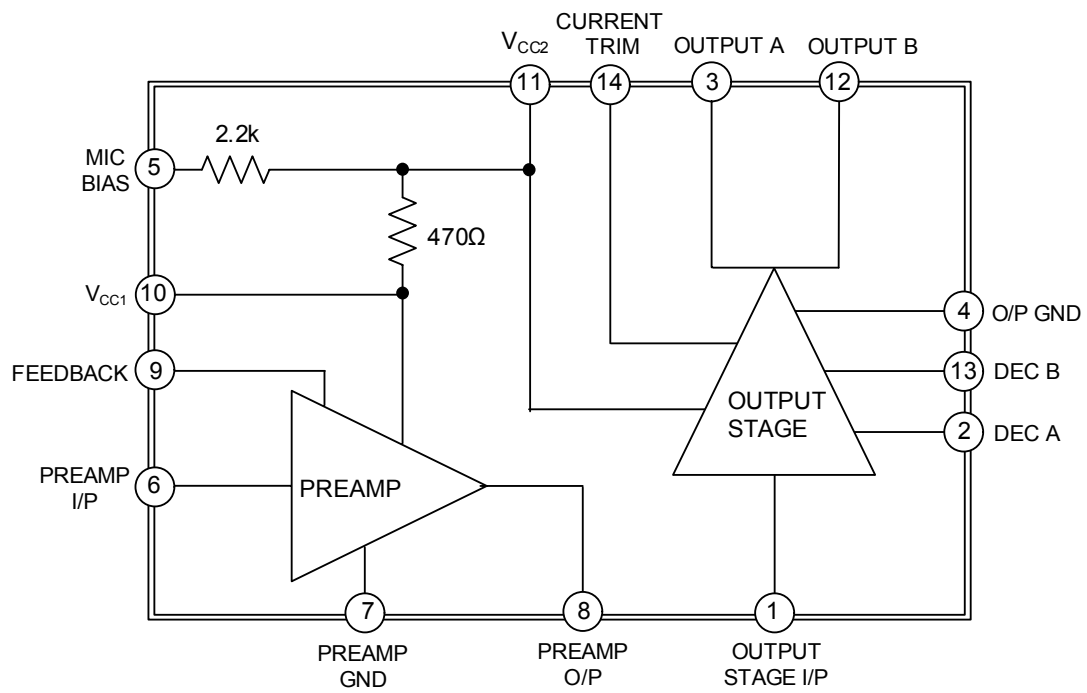
Ordering Number		Package	Packing
Normal	Lead Free Plating		
L3305-S14-R	L3305L-S14-R	SOP-14	Tape Reel
L3305-S14-T	L3305L-S14-T	SOP-14	Tube
L3305-P14-R	L3305L-P14-R	TSSOP-14	Tape Reel
L3305-P14-T	L3305L-P14-T	TSSOP-14	Tube

<p>L3305L-S14-T</p> <p>(1)Packing Type (2)Package Type (3)Lead Plating</p>	<p>(1) R: Tape Reel, T: Tube (2) S14: SOP-14, P14: TSSOP-14 (3) L: Lead Free Plating, Blank: Pb/Sn</p>
--	--

■ PIN CONFIGURATION



■ BLOCK DIAGRAM



■ ABSOLUTE MAXIMUM RATINGS

PARAMETER	SYMBOL	RATINGS	UNIT
Supply Voltage	V _{CC1}	3	V
Power Dissipation	P _D	200	mW
Operating Temperature Range	T _{OPR}	-10 ~ +60	
Storage Temperature Range	T _{STG}	-20 ~ +70	

Note Absolute maximum ratings are those values beyond which the device could be permanently damaged.

Absolute maximum ratings are stress ratings only and functional device operation is not implied.

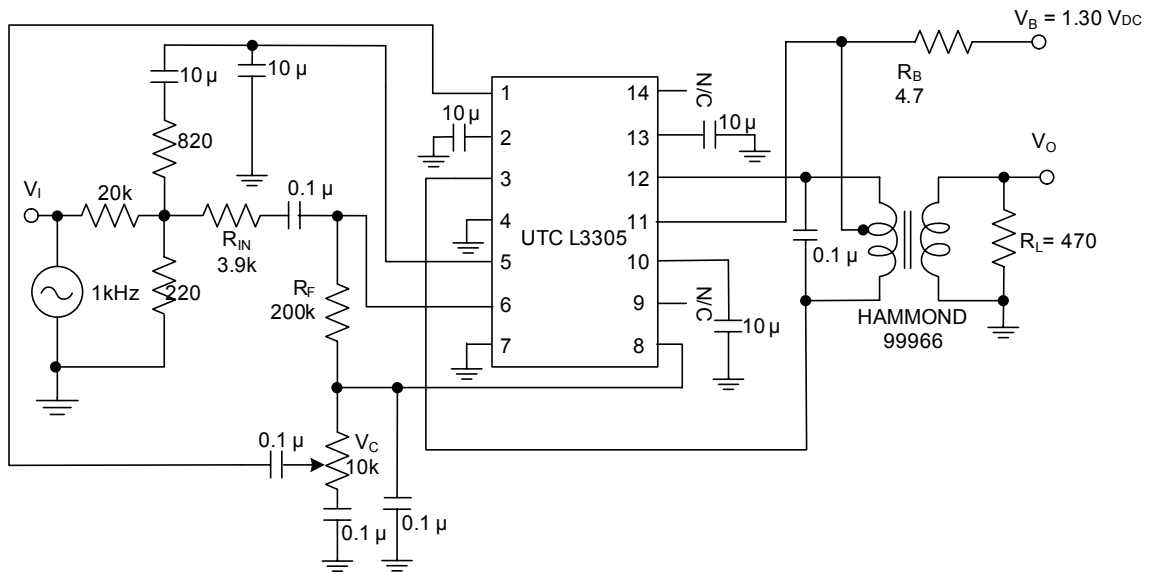
■ ELECTRICAL CHARACTERISTICS

PARAMETER	SYMBOL	TEST CONDITIONS	MIN	TYP	MAX	UNIT
Input Referred Noise	eN			0.9	2.5	μV
Total Current	I _{TOT}			0.7	1.2	mA
Voltage Gain	G _V	Output = 0.707 V _{RMS}	72	75	78	dB
Total Harmonic Distortion & Noise	THD	Output = 0.707 V _{RMS}		1.5	3.0	%
Gain Dependence on R _B				0.02		dB/Ω
Input Impedance of Output Amplifier	Z _{IN}		18	27	36	kΩ
Stable with Battery Resistance					22	Ω
Frequency Response (-3 dB at 1 kHz)		Low		250		Hz
		High		12		kHz

Note: 1. All parameters tested in Test Circuit Fig. 1.

2. Conditions: Supply voltage V_B = 1.3 V_{DC}, Temperature ambient = 25 °C, Frequency = 1kHz, Noise Filter Bandwidth at 12 dB/oct (0.2 to 10kHz)

TEST CURICIT



- Note: 1. Test Circuit Amplifier Gain = $20 \text{ Log}_{10} (V_{OUT} / V_{IN}) + 40\text{dB}$
 2. Preamp Gain = $\frac{R_F}{R_{IN}}$ set at 35dB

Fig. 1 Test Circuit

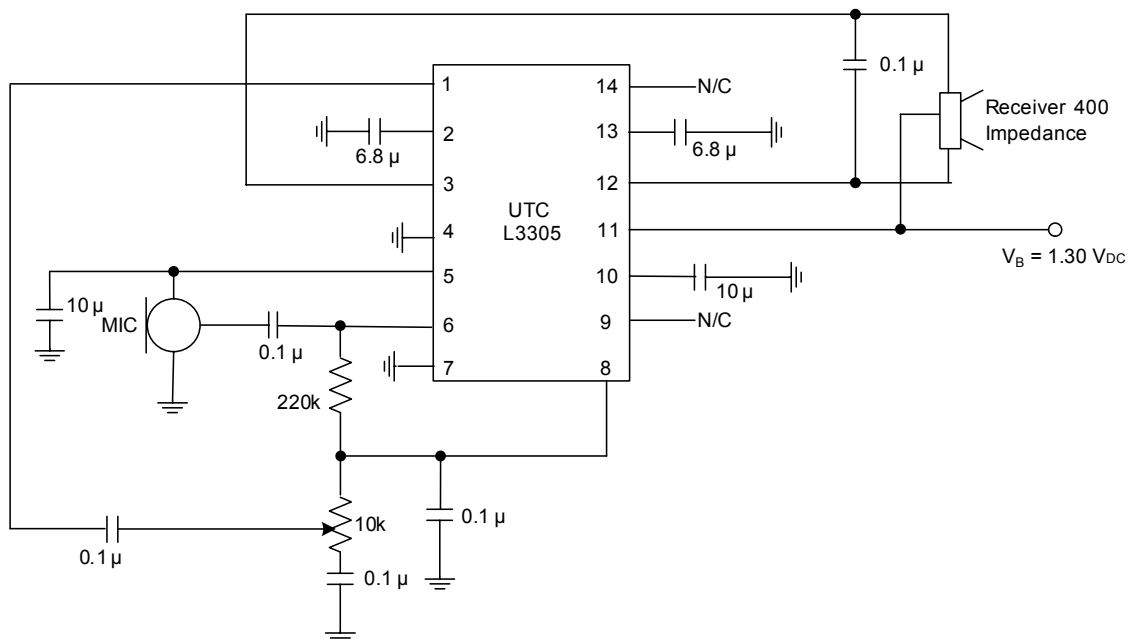


Fig. 2 Typical Hearing Aid Circuit

UTC assumes no responsibility for equipment failures that result from using products at values that exceed, even momentarily, rated values (such as maximum ratings, operating condition ranges, or other parameters) listed in products specifications of any and all UTC products described or contained herein. UTC products are not designed for use in life support appliances, devices or systems where malfunction of these products can be reasonably expected to result in personal injury. Reproduction in whole or in part is prohibited without the prior written consent of the copyright owner. The information presented in this document does not form part of any quotation or contract, is believed to be accurate and reliable and may be changed without notice.