

KLM - 064MA - 16A

This module designed for light emitting display device. Organize with 16 x 16 matrix combination with 256 of each Red, Green LED Chips, for indoor use.

FEATURES

- Active display size : 64mm x64mm
- Dot size : $\phi 3$
- Dot pitch : 4mm
- Display color : RED, GREEN, AMBER(Mixed color)
- Duty rate : 1/16
- Dot matrix : 256(16 x 16)
- Weight : 80g(Typ.)
- With a simple serial - inter face.

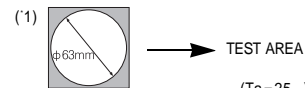
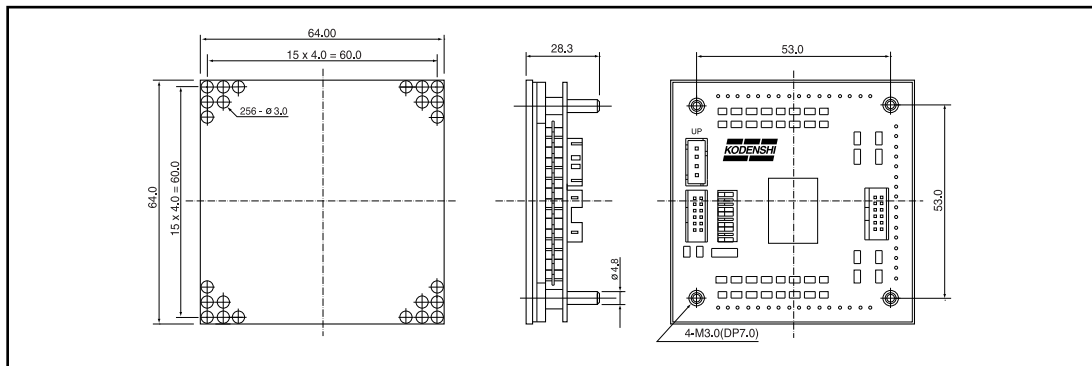
MAXIMUM RATINGS

(Ta=25)

ITEM	SYMBOL	RATINGS	UNIT	COND.
Power dissipation	P_D	15	W	
Supply voltage(DRIVE)	V_{DD}	6	V	
Supply voltage(LED)	V_{LED}	6	V	
Logic input power	V_{in}	- 0.5 ~ V_{DD}	V	
Junction Temp.	T_J	115		
Operating Temp.	T_a	- 20 ~ +65		
Storage Temp.	T_s	- 20 ~ +70		

DIMENSIONS

(Unit : mm)



OPTICAL CHARACTERISTICS

(Ta=25)

ITEM	SYMBOL	CONDITION	MIN.	TYP.	MAX.	UNIT.
Bright - ness(16x 16)	GREEN	$V_{DD} = 5V$	-	120	-	$cd/m^2 \cdot 1$
	RED		-	100	-	
	AMVER		-	180	-	
Dot - Balance	GREEN	$V_{LED} = 5V$	-	-	2	-
	RED		-	-	2	
	AMBER		-	-	2	
Emission Wavelength	GREEN		-	569	-	nm
	RED		-	630	-	
	AMBER		-	-	-	
Spectrum half - band	GREEN		-	25	-	nm
	RED		-	40	-	

LED Dot Matrix

KLM - 064MA - 16A

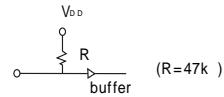
ELECTRICAL CHARACTERISTICS (VOLTAGE- CURRENT CHARACTERISTICS)

(Ta=25)

ITEM	SYMBOL	CONDITION	MIN.	TYP.	MAX.	UNIT.	
Supply voltage(LOGIC)	V_{DD}	-	4.75	5	5.25	V	
Supply voltage(LED)	V_{LED}	-	4.50	5	5.50	V	
Supply current(LOGIC)	I_{DD}	$V_{DD}=5V$	-	50.0	70.0	mA	
Supply current(LED)	GREEN	I_{LEDg}	Lighting all ^{1,2}	-	-	1.3	A
	RED	I_{LEDr}		-	-	1.3	
	AMBER	I_{LEDo}		-	-	2.0	
Logic - input vol tage LOW	V_L	$V_{LED}=5V$	-	-	1.5	V	
Logic - input vol tage HIGH	V_{IH}	$V_{DD}=5V$	3.5	-	-	V	

^{1,2}. $V_{DD}=5V$, $V_{LED}=5V$ *Temperature condition of guarentee range for operating : - 20 - +65

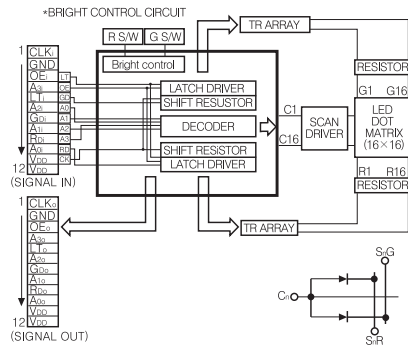
*PULL UP



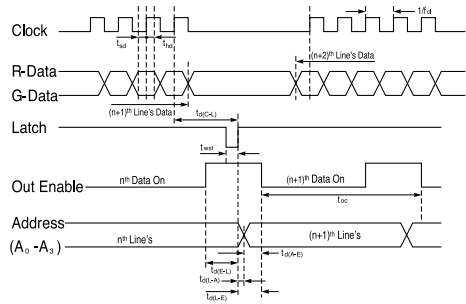
ELECTRICAL CHARACTERISTICS (CONNECTOR SPECIFICATION)

CLASSIFICATION	NAME	STANDARD	LENGH	COMPANY	REMARK	
POWER CONN.	WAFER	B 4B - XH - A	-	KST	JST C/N	
INPUT SIGNAL CONN.	WAFER	B 12B - PHDSS	-	KST	JST C/N	
OUTPUT SIGNAL CONN.	WAFER	B 12B - PHDSS	-	KST	JST C/N	
ASS Y	POWER	HARNESS	XHP - 4P - 000R(RING TYPE)	Option	KST	JST C/N
		HARNESS	XHP - 4P - 000(SOLDER TYPE)	Option	KST	JST C/N
	SIGNAL	HARNESS	HPDR - 12VS - 000	Option	KST	JST C/N

BLOCK DIAGRAM



TIMING CHART



RECOMMENDED TIMING CONDITION

NO	ITEM	SYMBOL	MIN.	TYP.	MAX.	UNIT.
1	CLOCK FREQUENCY	f_{cl}	-	-	40	MHz
2	CLOCK CYCLE	$1/f_{cl}$	25	-	-	ns
3	CLOCK - LATCH TIME	$t_{d(C-L)}$	25	-	-	ns
4	LATCH PULSE WIDTH	t_{wst}	25	-	-	ns
5	ENABLE - LATCH TIME	$t_{d(E-L)}$	0	-	-	ns
6	DATA SETUPTIME	t_{sd}	6	-	-	ns
7	DATA HOLD TIME	t_{hd}	6	-	-	ns
8	ADDRESS - ENABLE TIME	$t_{d(A-E)}$	25	-	-	ns
9	LATCH - ADDRESS TIME	$t_{d(L-A)}$	0	-	-	ns
10	LATCH - ENABLE TIME	$t_{d(L-E)}$	0	-	-	ns
11	ON TIME	t_{oc}	-	-	1	ms