

THT ZTT SERIES CERAMIC RESONATORS

FEATURES

- High reliability for low cost
- Small dimensions and low profile
- Integrated capacitor
- Wide frequency range
- Excellent clock signal generator
- Tape & Reel delivery form possible

RoHS-2 2011/65/EU
 compliant

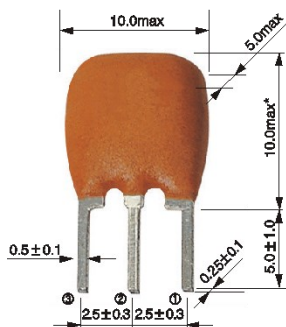
GENERAL DATA

Part Number	Bild-in Capacitor	Frequency Range	Frequency Accuracy	Stability over Temperature	Operating Temperature	Aging For 10 Years
ZTTWS-MG	Yes	1.79 ~ 6.00 MHz	±0.5% at 25°C	±0.3% over -25/+85°C	-25/+85°C	±0.3%
ZTTRS-MG	Yes	6.01 ~ 12.50 MHz	±0.5% at 25°C	±0.3% over -25/+85°C	-25/+85°C	±0.3%
ZTT-MT	Yes	6.00 ~ 13.00 MHz	±0.5% at 25°C	±0.3% over -25/+85°C	-25/+85°C	±0.3%
ZTT-MX	Yes	12.00 ~ 60.0 MHz	±0.5% at 25°C	±0.3% over -25/+85°C	-25/+85°C	±0.3%
ZTTRS-MX	Yes	16.00 ~ 60.0 MHz	±0.5% at 25°C	±0.3% over -25/+85°C	-25/+85°C	±0.3%

OTHER PARAMETERS ARE AVAILABLE ON REQUEST / CREATE HERE YOUR SPECIFICATION

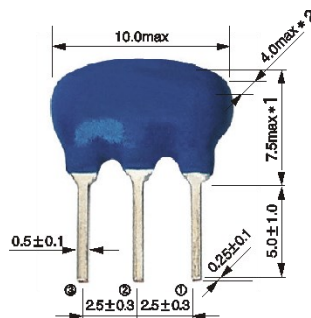
DIMENSIONS

ZTT-MT/MX



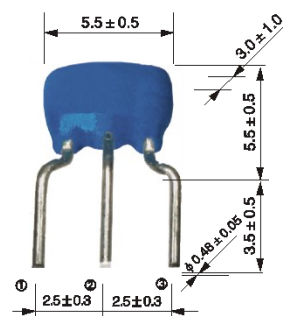
*MT: 10.0 max;
 *MX: 12.00~13.00MHz, 12.0 max
 13.01~60.00MHz, 10.0 max

ZTTWS-MG



*1 WS: 5.5 max;
 *2 WS: 4.0 max;

ZTTRS-MG/MX



CRYSTALS

OSCILLATORS

CERAMIC RESONATORS



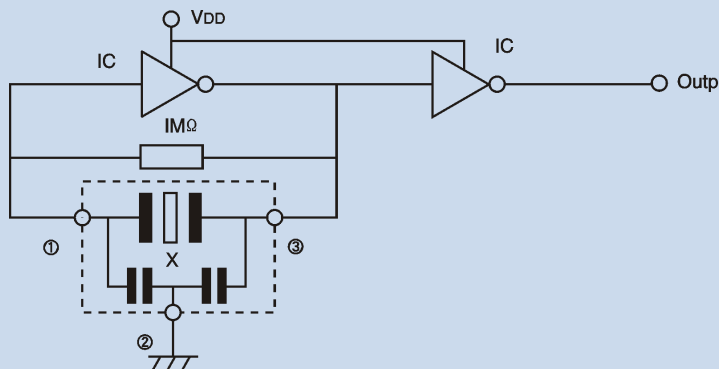
Premium Quality by
PETERMANN-TECHNIK

CERAMIC FILTERS

SAW COMPONENTS

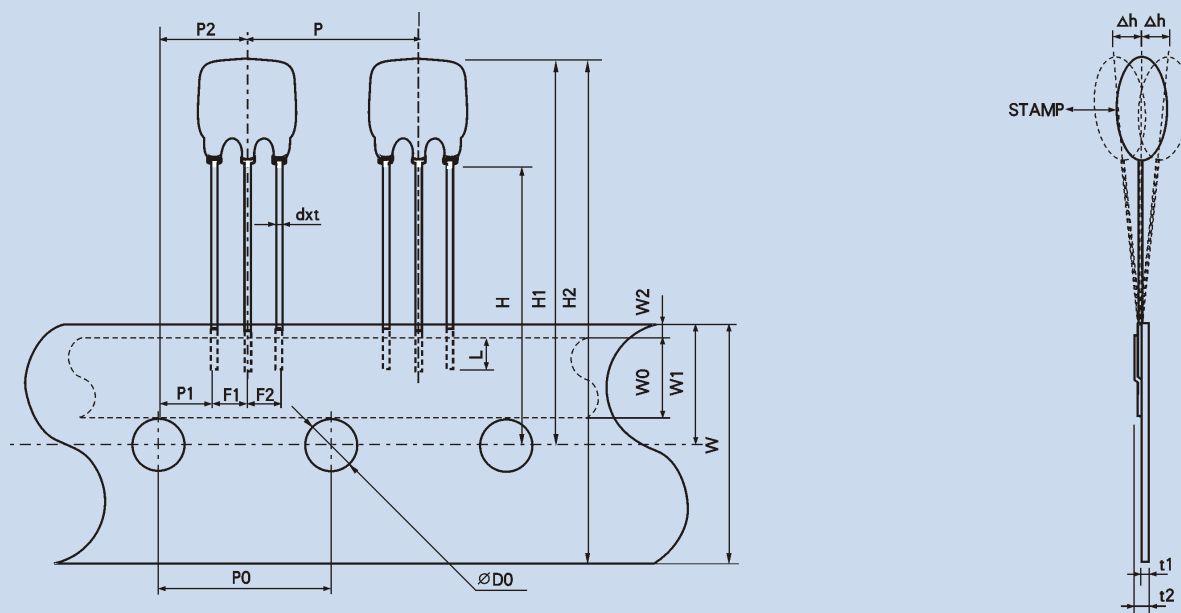
Spec.01 • REV.00 • August 2013

TEST CIRCUIT FOR MOS IC



IC(MG,MT): 1/6TC4069UBP×2
 (MX): 1/6TC74HCU04×2
 X: Ceramic Resonator
 VDD: +5V

AMMO PACK TAPING DIMENSIONS (OPTION)



Code	P	P0	P1	P2	F1	F2	dxt	W	W0	W1	W2	H	H1	H2	L	ØD0	t1	t2	Δh
Size	12.7±0.5	12.7±0.2	3.85±0.5	6.35±1.3	2.5±0.3	2.5±0.3	0.5X0.25(±0.1) (Ø0.48±0.05)	18.0±0.5	5.5±0.5	9.0±0.5	1.0max	18.0 ^{+0.5} _{-1.0}	27.0max	36.0max	3.0min	4.0±0.2	0.6±0.2	1.5max	1.0max

2000pcs per box

*Include the slant of products

CRYSTALS
OSCILLATORS
CERAMIC RESONATORS



Premium Quality by
PETERMANN-TECHNIK

CERAMIC FILTERS
SAW COMPONENTS

Spec.01 • REV.00 • August 2013

ORDERING INFORMATION

Series

ZTT

Frequency

13.000

Model Code

MT

Delivery Form

B0

Example: ZTA-13.000MT-B0
PLEASE INDICATE YOUR REQUIRED SERIES

DELIVERY FORM

OPTIONS:

B0	= Bulks (standard)
A0	= AMMO PACKING (2.000 pcs per ammo pack)

CRYSTALS
OSCILLATORS
CERAMIC RESONATORS



Premium Quality by
PETERMANN-TECHNIK

CERAMIC FILTERS
SAW COMPONENTS

Spec.01 • REV.00 • August 2013