

4

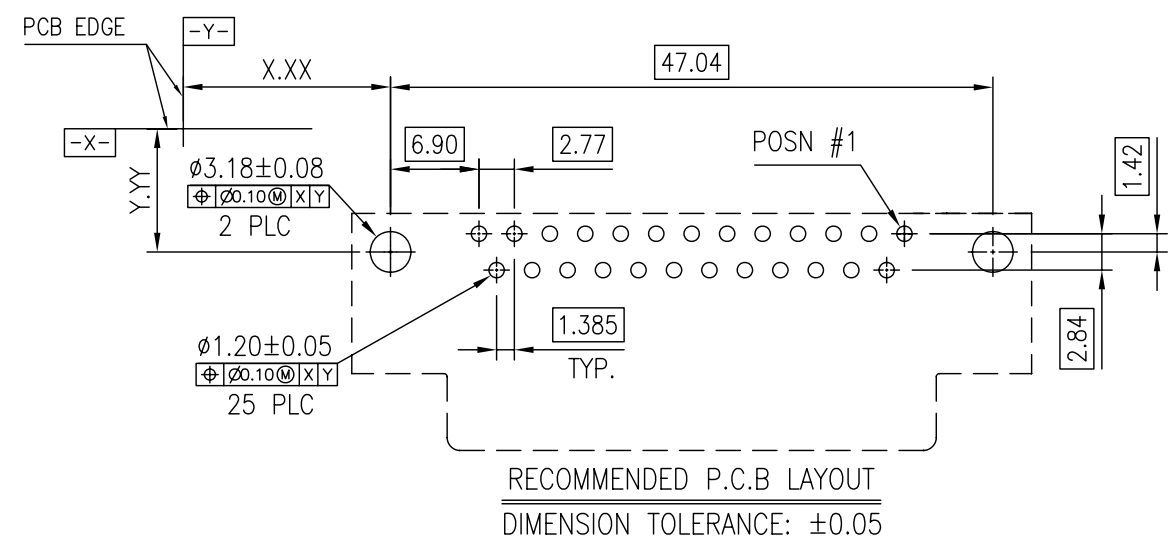
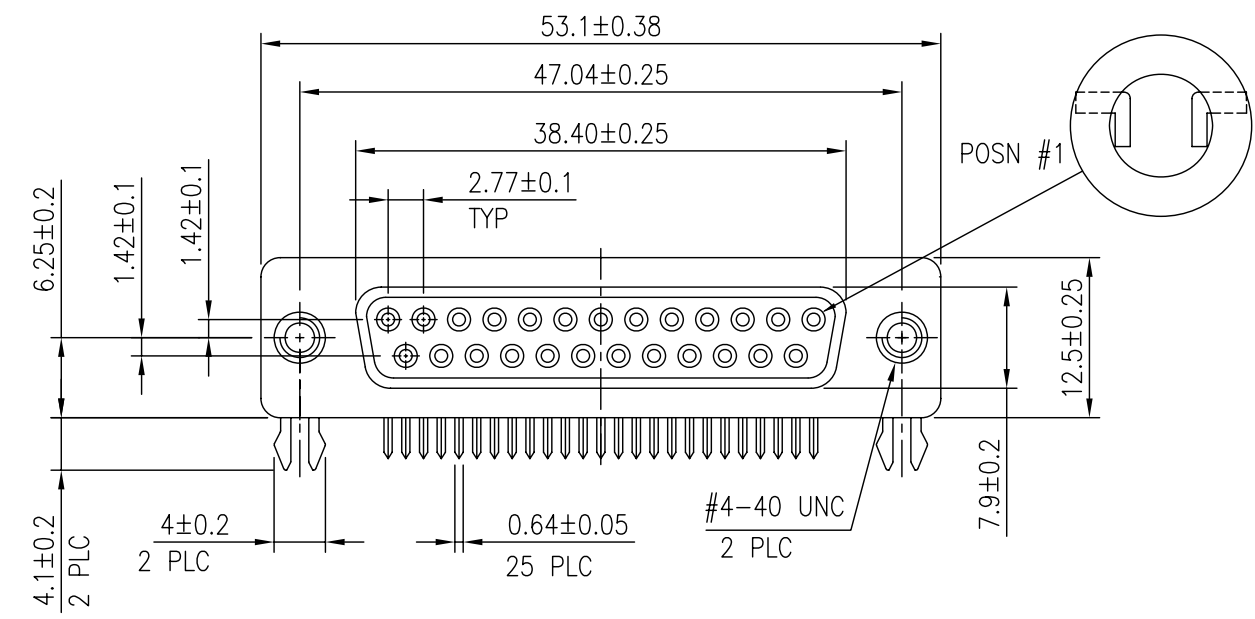
3

2

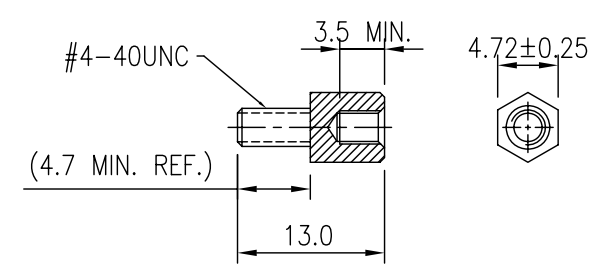
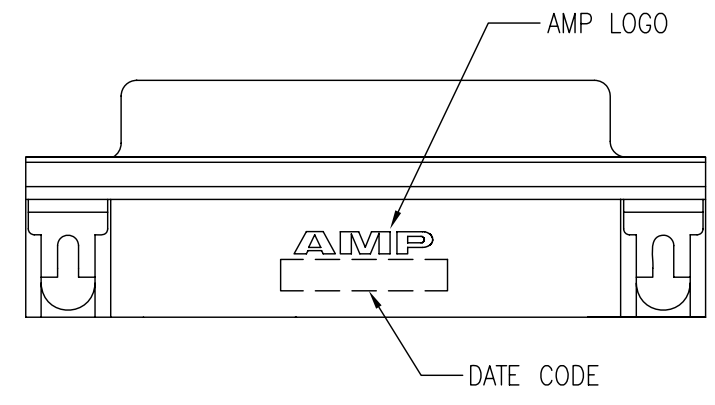
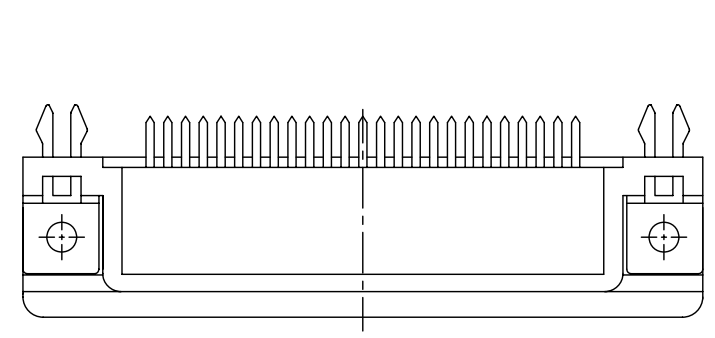
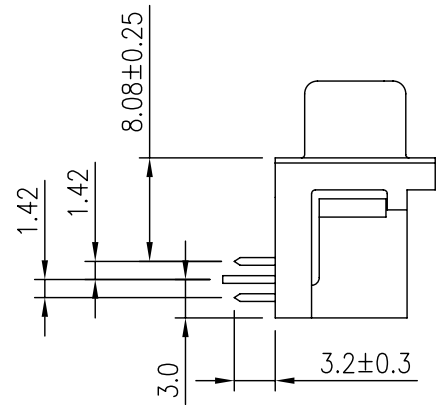
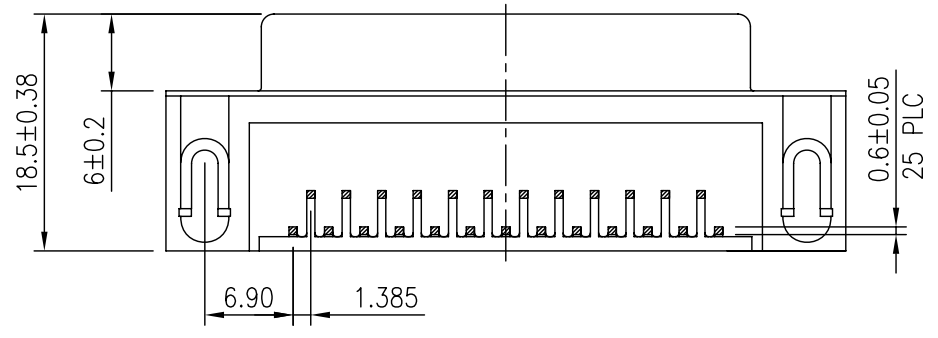
1

THIS DRAWING IS UNPUBLISHED. RELEASED FOR PUBLICATION  
 © COPYRIGHT BY TYCO ELECTRONICS CORPORATION. ALL RIGHTS RESERVED.

LOC	DIST	REVISIONS					
DW		P	LTR	DESCRIPTION	DATE	DWN	APVD
		A		REVISED (ECR-08-024310)	06NOV08	B.W	S.C



- NOTES:
- MATERIAL:
    - HOUSING: PBT OR NY9T, UL 94V-0 RATED, COLOR: SEE TABLE
    - CONTACTS: PHOSPHOR BRONZE
    - SHELL: SPCC
    - BOARDLOCKS: BRASS
    - RIVET: BRASS
  - FINISH:
    - CONTACT:
      - GOLD PLATING ON CONTACT AREA. (SEE TABLE)
      - 100u" MIN. MATTE TIN PLATING ON SOLDER TAIL AREA, 50u" MIN. NICKEL UNDERPLATED OVERALL,
    - BOARDLOCK:
      - 100u" MIN MATTE TIN PLATING
      - 50u" MIN NICKEL UNDERPLATED OVERALL,
    - SHELL: NICKEL PLATING OVERALL
    - RIVET: NICKEL PLATING OVERALL
  - RECOMMENDED PCB THICKNESS: 1.6 mm
  - WAVE SOLDER CAPABLE TO 265°C, PER TE SPEC. 109-202, CONDITION B.
  - THREADED INSERTS MUST WITHSTAND 6 IN-LBS TORQUE.



THIS PRODUCT EQUIPPED WITH NO SCREW  
 RECOMMENDED OUTSOURCING SCREW TYPE

OBSOLETE	BURGUNDY 235C	NY9T	15u"	2-	-6
		PBT	G/F	2-	-5
	BLACK	NY9T	15u"	2-	-1
			G/F	2-	-0
		PBT	15u"	1-	-2
			G/F	1-	-1
COLOR	HSG MATERIAL	COLD FINISH	PART NO.		

THIS DRAWING IS A CONTROLLED DOCUMENT.		DWN	J. LEE	09MAR2007	Tyco Electronics Corporation Taipei, Taiwan	
DIMENSIONS: MM		CHK	S. HOU	09MAR2007	NAME	
TOLERANCES UNLESS OTHERWISE SPECIFIED:		APVD	W.J. KE	09MAR2007	AMPLIMITE 8.08mm[0.318in] SERIES, R/A, RCPT, 25 POS	
0 PLC ± -		PRODUCT SPEC		SIZE		
1 PLC ± 0.38		108-57541		CAGE CODE	DRAWING NO	RESTRICTED TO
2 PLC ± 0.25		QUALIFICATION TEST REPORT		A300779		1734350
3 PLC ± 0.15		501-57623		SCALE		
4 PLC ± -		WEIGHT		SHEET		
ANGLES ± -		7.0 GRAMS		1 of 2		
MATERIAL SEE NOTE		CUSTOMER DRAWING		REV A		
FINISH SEE NOTE						

4

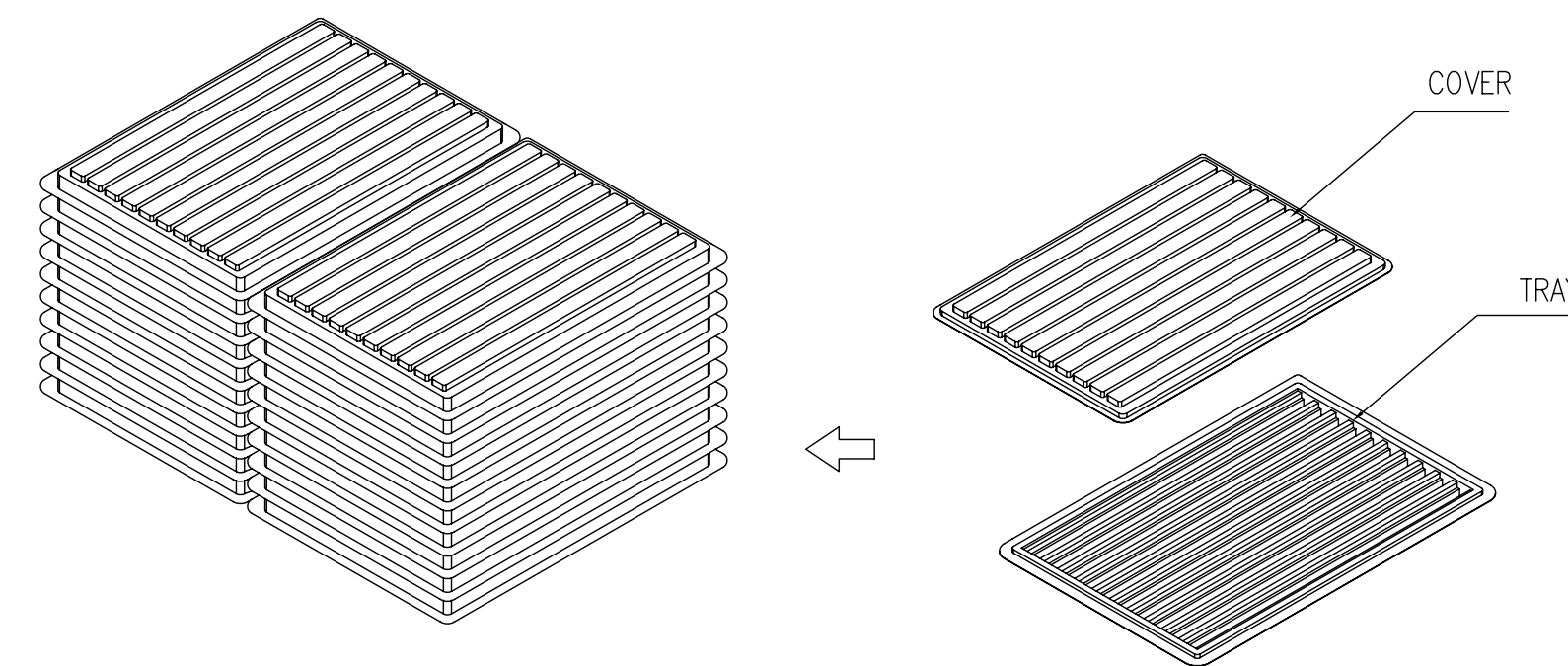
3

2

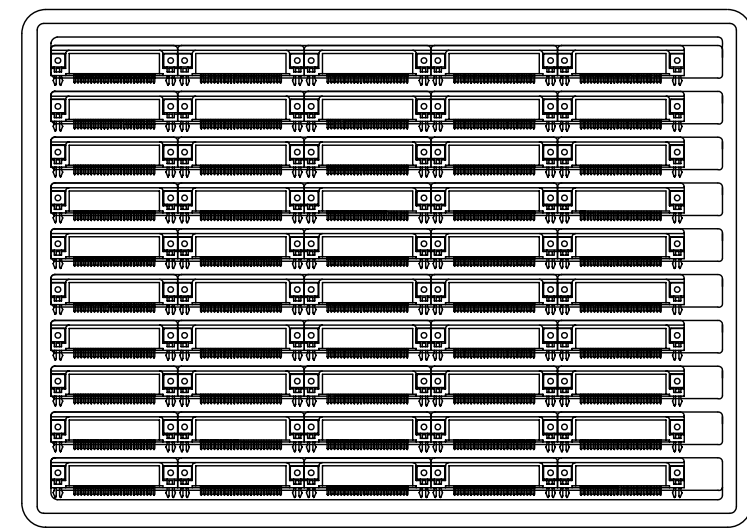
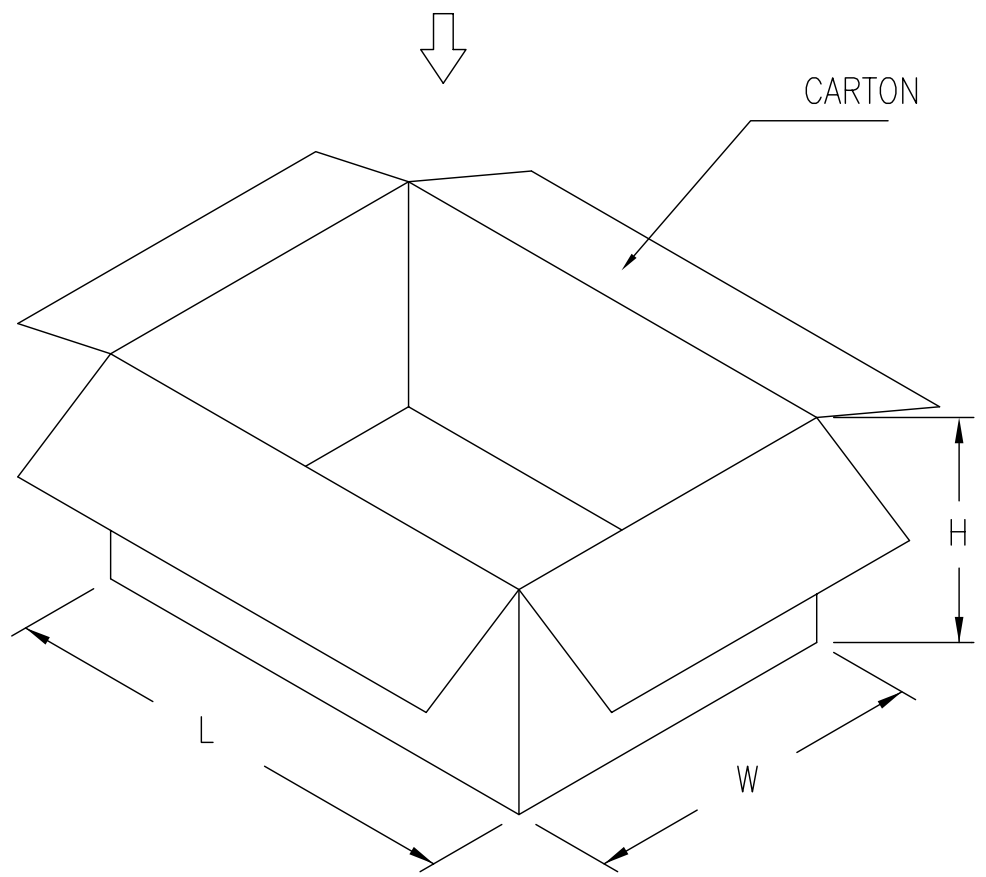
1

THIS DRAWING IS UNPUBLISHED. RELEASED FOR PUBLICATION  
 © COPYRIGHT BY TYCO ELECTRONICS CORPORATION. ALL RIGHTS RESERVED.

LOC	DIST	REVISIONS			
P	LTR	DESCRIPTION	DATE	DWN	APVD
DW	/	SEE SHEET 1.			



- NOTES:
- MATERIAL:
    - TRAY: PVC
    - SHIPPING CARTON: CORRUGATED FIBERBOARD
  - DIMENSION:
    - TRAY: L=306, W=217, H=15
    - SHIPPING CARTON: L=440, W=321, H=210
  - QUANTITY:
    - PRIMARY PACKING: 50 PCS/TRAY
    - THIRD PACKING: 20 TRAY/CARTON(1,000PCS)
  - WEIGHT:
    - NET WEIGHT: 7.0 Kg
    - GROSS WEIGHT: 8.0 Kg



THIS DRAWING IS A CONTROLLED DOCUMENT.		DWN	Tyco Electronics Corporation		
		CHK	Taipei, Taiwan		
		APVD	NAME		
DIMENSIONS: MM		PRODUCT SPEC	AMPLIMITE 8.08mm[0.318in] SERIES, R/A, RCPT, 25 POS		
TOLERANCES UNLESS OTHERWISE SPECIFIED:		APPLICATION SPEC	SIZE	CAGE CODE	DRAWING NO
0 PLC ± -		WEIGHT	A3	00779	C=1734350
1 PLC ± -		CUSTOMER DRAWING	RESTRICTED TO		
2 PLC ± -		SCALE	SHEET 2 of 2 REV A		
3 PLC ± -					
4 PLC ± -					
ANGLES ± -					
MATERIAL					
FINISH					