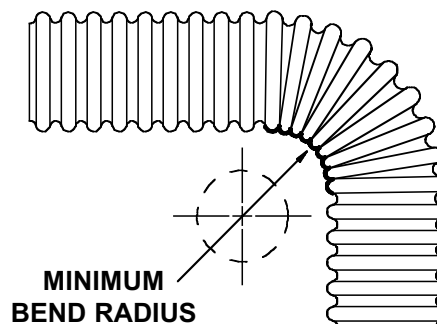
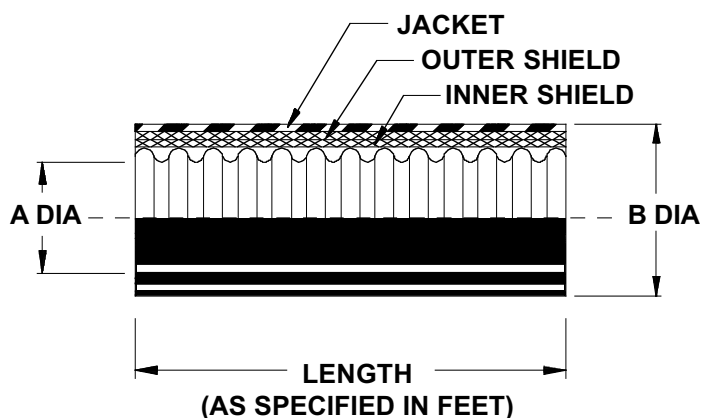
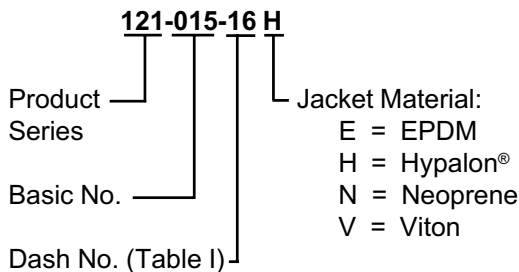




121-015
Type F Series 72 Annular Convulsed Tubing
Thermally Stabilized Kynar®

**TYPE
F
TWO
EXTERNAL
TIN/COPPER
BRAIDS AND
JACKET**



DASH NO.	A DIA		B DIA		MINIMUM BEND RADIUS *
	MIN	MAX	MIN	MAX	
09	.24 (6.1)	.28 (7.1)	.62 (15.7)	.66 (16.8)	.75 (19.1)
12	.33 (8.4)	.37 (9.4)	.72 (18.3)	.76 (19.3)	1.00 (25.4)
16	.45 (11.4)	.50 (12.7)	.84 (21.3)	.90 (22.9)	1.38 (35.1)
20	.57 (14.5)	.62 (15.7)	.95 (24.1)	1.01 (25.7)	1.69 (42.9)
24	.69 (17.5)	.75 (19.1)	1.12 (28.4)	1.18 (30.0)	1.88 (47.8)
28	.81 (20.6)	.87 (22.1)	1.24 (31.5)	1.32 (33.5)	2.00 (50.8)
32	.93 (23.6)	1.00 (25.4)	1.36 (34.5)	1.44 (36.6)	2.38 (60.5)
40	1.18 (30.0)	1.25 (31.8)	1.60 (40.6)	1.68 (42.7)	2.88 (73.2)

* The minimum bend radius is based on Type A construction (see page E-3). For multiple-braided coverings, these minimum bend radii may be increased slightly.

Metric dimensions (mm) are in parentheses.

Note: Tubing supplied in random lengths.
For specific size lengths, consult factory.