



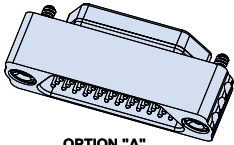
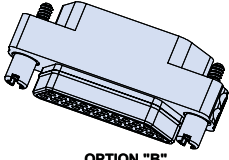
# Sav-Con<sup>®</sup> connector savers

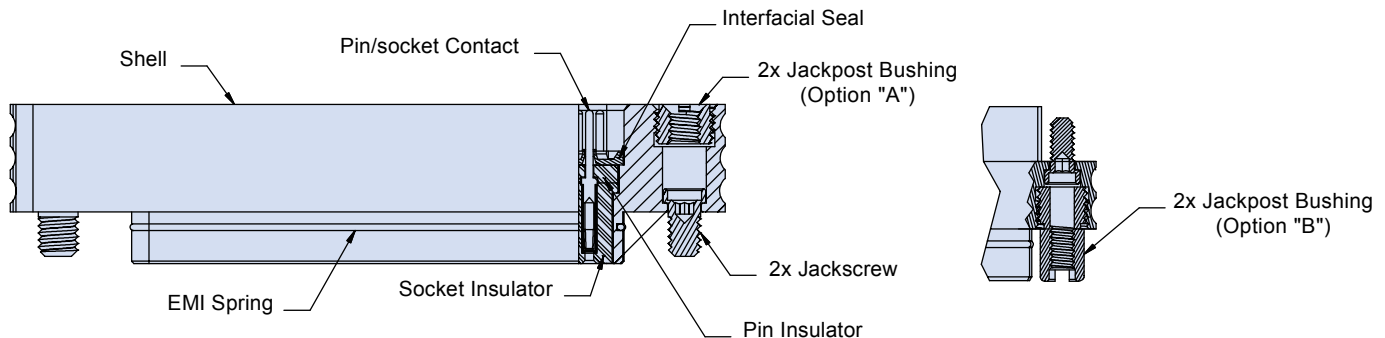
## Series 79 Micro-Crimp<sup>®</sup> connector saver

### 799-070



**Glenair Series 79 Connector Savers** provide a low profile one-piece machined aluminum housing. Ground spring protects circuits from EMI problems. Pin mating face has fluorosilicone rubber seal. Choose electroless nickel shell finish for avionics and space applications. Also available with cadmium for compatibility with cadmium or zinc plated connectors, or choose nickel-PTFE for maximum corrosion protection. Other materials and finishes available on request.

How To Order						
Sample Part Number	799-070		H-66	E	M	A
Series / Basic Part No.	799-070					
Insert Arrangement	See Micro-Crimp <sup>®</sup> Insert Arrangement Table					
RFI Spring Option	E - With EMI Spring    N - No EMI Spring					
Shell Finish	M - electroless Nickel                      MT - Teflon Nickel E - Chemfilm                                      Z2 - Gold UC - Zinc Cobalt with Black Chromate J - Cadmium with Yellow Chromate NF - Cadmium with Olive Drab Chromate					
Configuration Option	 OPTION "A"		 OPTION "B"			

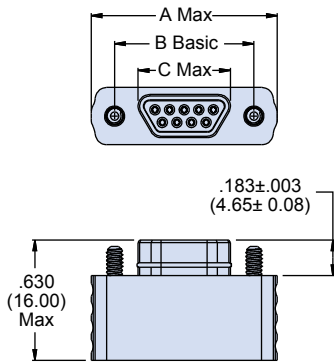




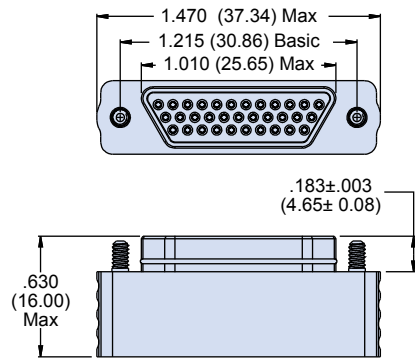
# Sav-Con® connector savers

## Series 79 Micro-Crimp® connector saver

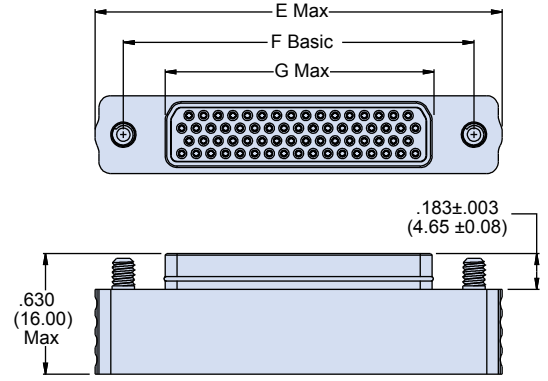
### 799-070 Configuration A Dimensions



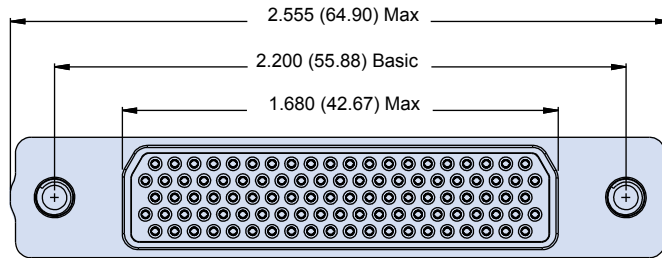
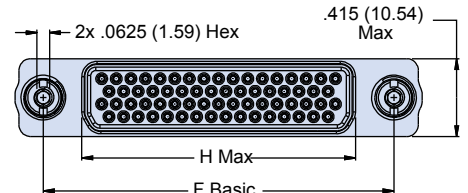
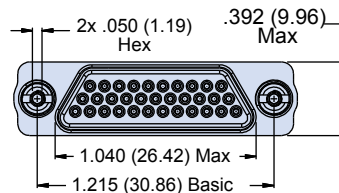
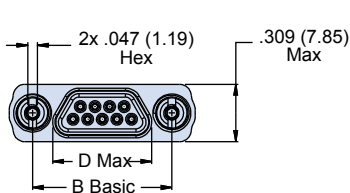
Shell Sizes A,B,C,D,E,F,J,K



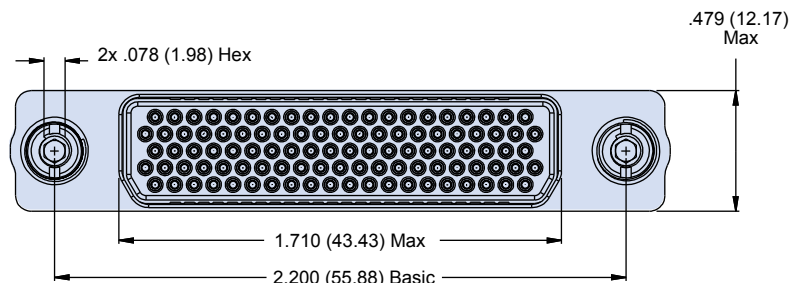
Shell Size G



Shell Size H And L



Shell Size M

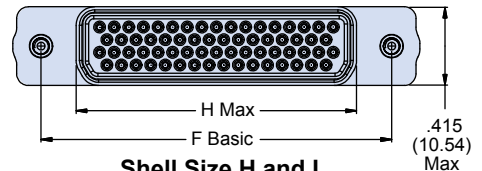
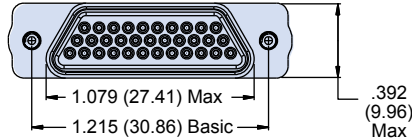
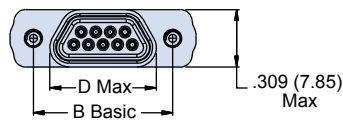
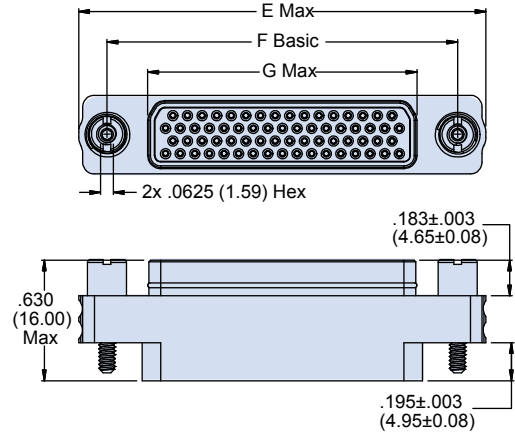
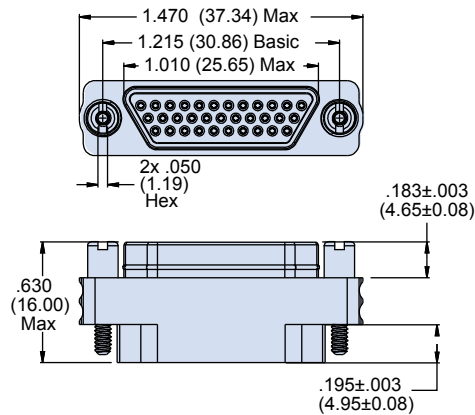
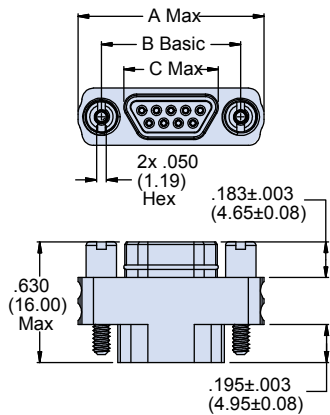




# Sav-Con<sup>®</sup> connector savers

## Series 79 Micro-Crimp<sup>®</sup> connector saver

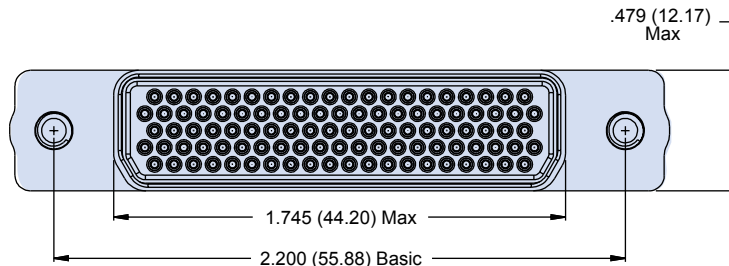
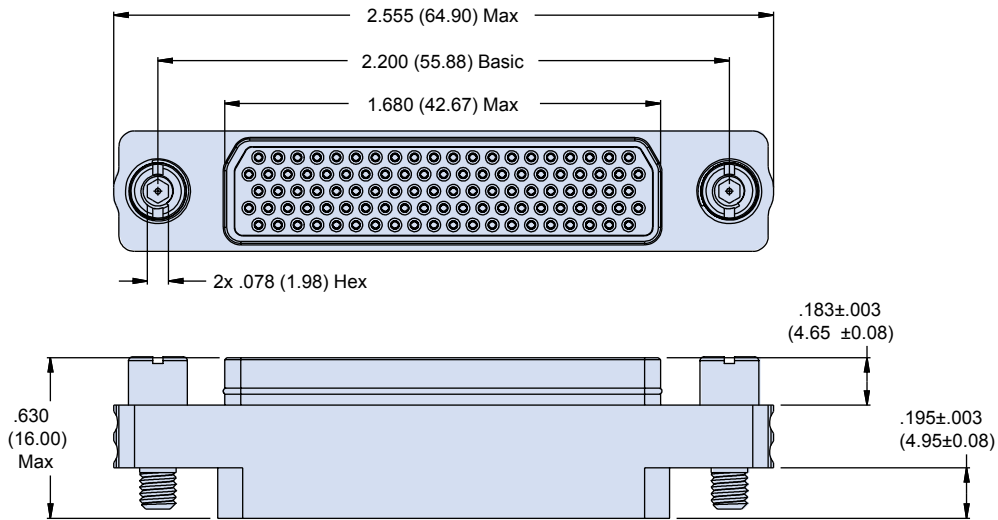
### 799-070 Configuration B Dimensions



Shell Sizes A,B,C,D,E,F,J,K

Shell Size G

Shell Size H and L



Shell Size M



# Sav-Con<sup>®</sup> connector savers

## Series 79 Micro-Crimp<sup>®</sup> connector saver

### 799-070 Configuration A and B Dimensions



Option A Configuration Dimensions																
Shell Size	A Max		B Basic		C Max		D Max		E Max		F Basic		G Max		H Max	
	In.	mm.	In.	mm.	In.	mm.	In.	mm.	In.	mm.	In.	mm.	In.	mm.	In.	mm.
A	0.820	20.83	0.565	14.35	0.335	8.51	0.365	9.27	-	-	-	-	-	-	-	-
B	0.970	24.64	0.715	18.16	0.485	12.32	0.515	13.08	-	-	-	-	-	-	-	-
C	1.120	28.45	0.865	21.97	0.635	16.13	0.665	16.89	-	-	-	-	-	-	-	-
D	1.220	30.99	0.965	24.51	0.735	18.67	0.765	19.43	-	-	-	-	-	-	-	-
E	1.370	34.80	1.115	28.32	0.885	22.48	0.915	23.23	-	-	-	-	-	-	-	-
F	1.520	38.61	1.265	32.13	1.035	26.39	1.065	27.05	-	-	-	-	-	-	-	-
H	-	-	-	-	-	-	-	-	2.105	53.48	1.800	45.72	1.385	35.18	1.415	35.94
J	1.880	47.75	1.615	41.02	1.390	35.61	1.420	36.07	-	-	-	-	-	-	-	-
K	2.275	57.78	2.015	51.18	1.795	45.59	1.823	46.30	-	-	-	-	-	-	-	-
L	-	-	-	-	-	-	-	-	2.341	59.46	2.036	51.71	1.623	41.22	1.651	41.94

Option B Configuration Dimensions																
Shell Size	A Max		B Basic		C Max		D Max		E Max		F Basic		G Max		H Max	
	In.	mm.	In.	mm.	In.	mm.	In.	mm.	In.	mm.	In.	mm.	In.	mm.	In.	mm.
A	0.820	20.83	0.565	14.35	0.335	8.51	0.455	11.56	-	-	-	-	-	-	-	-
B	0.970	24.64	0.715	18.16	0.485	12.32	0.555	14.10	-	-	-	-	-	-	-	-
C	1.120	28.45	0.865	21.97	0.635	16.13	0.705	17.91	-	-	-	-	-	-	-	-
D	1.220	30.99	0.965	24.51	0.735	18.67	0.805	20.45	-	-	-	-	-	-	-	-
E	1.370	34.80	1.115	28.32	0.885	22.48	0.955	24.26	-	-	-	-	-	-	-	-
F	1.520	38.61	1.265	32.13	1.035	26.39	1.105	28.07	-	-	-	-	-	-	-	-
H	-	-	-	-	-	-	-	-	2.105	53.48	1.800	45.72	1.385	35.18	1.450	36.83
J	1.880	47.75	1.615	41.02	1.390	35.61	1.460	37.08	-	-	-	-	-	-	-	-
K	2.275	57.78	2.015	51.18	1.795	45.59	1.860	47.24	-	-	-	-	-	-	-	-
L	-	-	-	-	-	-	-	-	2.341	59.46	2.036	51.71	1.623	41.22	1.686	42.82



# Sav-Con<sup>®</sup> connector savers

## Series 79 Micro-Crimp<sup>®</sup> connector saver

### 799-070 Insert Arrangements



For insert arrangements in **blue** size #12 and #16 contacts are purchased separately

Micro-Crimp Insert Arrangements			
Shell Size	Contact Arrangement	No. of Contacts and Contact Size	Mating Face Pin Connector (Socket Numbers are Reversed)
A	A-5	5 #23 contacts	
B	B-2P2 <b>B-2W2</b>	2 #16 contacts	
B	B-9	9 #23 contacts	
C	C-13	13 #23 contacts	
D	D-15	15 #23 CONTACTS	
D	D-3P3 <b>D-3W3</b>	3 #16 CONTACTS	
D	D-7P2 <b>D-7W2</b>	5 #23 CONTACTS 2 #16 CONTACTS	
E	E-11P2 <b>E-11W2</b>	9 #23 CONTACTS 2 #16 CONTACTS	
E	E-19	19 #23 CONTACTS	
E	E-7P3 <b>E-7W3</b>	4 #23 CONTACTS 3 #16 CONTACTS	
F	F-15P2 <b>F-15W2</b>	13 #23 CONTACTS 2 #16 CONTACTS	
F	F-23	23 #23 CONTACTS	
F	F-5P5 <b>F-5W5</b>	5 #16 CONTACTS	
G	G-33	33 #23 CONTACTS	



# Sav-Con<sup>®</sup> connector savers

## Series 79 Micro-Crimp<sup>®</sup> connector saver

### 799-070 Insert Arrangements



For insert arrangements in **blue** size #12 and #16 contacts are purchased separately

Micro-Crimp Insert Arrangements			
Shell Size	Contact Arrangement	No. of Contacts and Contact Size	Mating Face Pin Connector (Socket Numbers are Reversed)
H	H-10P4 <b>H-10W4</b>	6 #23 CONTACTS 4 #12 CONTACTS	
H	H-29P7 <b>H-29W7</b>	22 #23 CONTACTS 7 #16 CONTACTS	
H	H-36P2 <b>H-36W2</b>	34 #23 CONTACTS 2 #12 CONTACTS	
H	H-54P2 <b>H-54W2</b>	52 #23 CONTACTS 2 #16 CONTACTS	
H	H-5P5 <b>H-5W5</b>	5 #12 CONTACTS	
H	H-66	66 #23 CONTACTS	
J	J-17P4 <b>J-17W4</b>	13 #23 contacts 4 #16 contacts	



# Sav-Con® connector savers

## Series 79 Micro-Crimp® connector saver

### 799-070 Insert Arrangements



For insert arrangements in **blue** size #12 and #16 contacts are purchased separately

Micro-Crimp Insert Arrangements			
Shell Size	Contact Arrangement	No. of Contacts and Contact Size	Mating Face Pin Connector (Socket Numbers are Reversed)
J	J-25P2 <b>J-25W2</b>	23 #23 contacts 2 #16 contacts	
J	J-33	33 #23 contacts	
J	J-7P7 <b>J-7W7</b>	7 #16 contacts	
K	K-27P4 <b>K-27W4</b>	23 #23 contacts 4 #16 contacts	
K	K-35P2 <b>K-35W2</b>	33 #23 contacts 2 #16 contacts	
K	K-43	43 #23 contacts	
K	K-9P9 <b>K-9W9</b>	9 #16 contacts	
L	L-6P6 <b>L-6W6</b>	6 #12 contacts	
L	L-78	78 #23 CONTACTS	
M	M-102	102 #23 CONTACTS	