

PLEASE CHECK WWW.MOLEX.COM FOR LATEST PART INFORMATION

Part Number: [0622018736](#)
Status: **Active**
Description: Press-In Tool for 12.5 Gbps Edge Card Connector

Documents:
[RoHS Certificate of Compliance \(PDF\)](#)

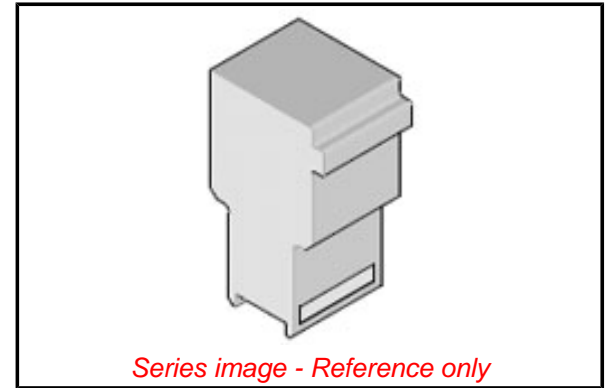
General

Product Family	Application Tooling
Series	T9999
Comments	See Tooling Specification (PDF) Above
Function	Insertion
Geographic Area	Global
Level of Automation	Manual
More Detailed Tech Information	applicationtooling@molex.com
Product Name	Impact™
Survey	www.molex.com//review/apptool_survey.html
Tool Type	Handtool
UPC	884982027589

Material Info

Reference - Drawing Numbers

Application Tooling Documents	ATS-622018736
-------------------------------	---------------



EU ELV

Not Reviewed

EU RoHS

Not Reviewed

REACH SVHC

Not Reviewed

Halogen-Free

Status

Not Reviewed

Need more information on product environmental compliance?

Email productcompliance@molex.com
Please visit the [Contact Us](#) section for any non-product compliance questions.

China ROHS

Not Reviewed

ELV

Not Reviewed

Search Parts in this Series

[T9999 Series](#)

Use With

EdgeLine® 12.5 Gbps Edge Card Connector
[76691](#)