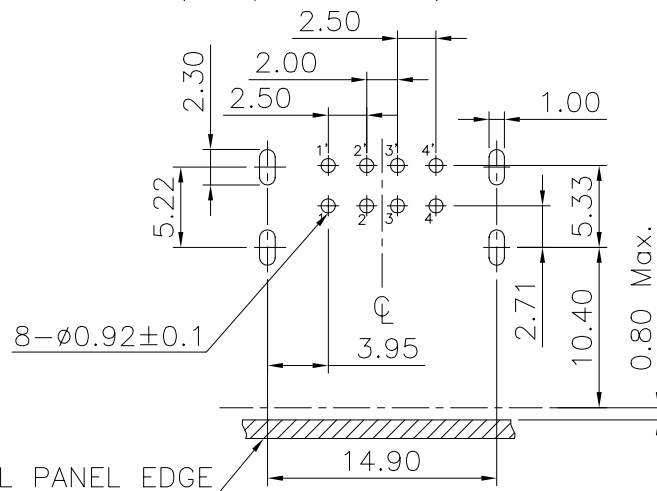
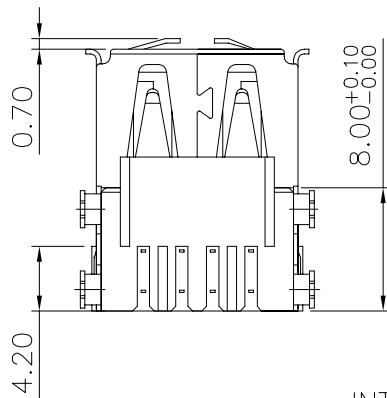


Recommended P.C.B Layout  
(Component Side)



NOTE:

- A. 020122MR008 S□14ZX(2522AX-08 G□T -N)
- Selective plating  
 'S1(G1T)-05u" select gold in contact/  
 Min. 100u" tin in solder area  
 'S2(G2T)-Gold flash in contact area/  
 Min. 100u" tin in solder area  
 'S3(G3T)-10u" select gold in contact/  
 Min. 100u" tin in solder area  
 'S4(G4T)-15u" select gold in contact/  
 Min. 100u" tin in solder area  
 \*'S5(G5T)-30u" select gold in contact/  
 Min. 100u" tin in solder area  
 \*'S6(G6T)-50u" select gold in contact/  
 Min. 100u" tin in solder area  
 \* 符合 USB 協會認證

Dimensional Information

SUYIN P/NO.	SUYIN P/NO.(OLD)	PACKAGE
020122MR008SX14ZU	2522A-08GXT-N	TUBE
020122MR008SX14ZA	2522AY-08GXT-N	TRAY

NO.	DESCRIPTION	MATERIAL	COLOR	REMARK
4				
3	Shell	Copper	—	Nickel Plated
2	Terminal	Pho.Bronze	—	Gold/Tin Plated
1	Plastic	NY-6T	Black	UL 94V-0

**SUYIN**  
CONNECTOR

CUSTOMER COPY	TITLE: USB Series A Type R/A Dual Port Dip Type
PART NO.	020122MR008SX14ZX
PART NO. (OLD)	2522AX-08GXT-N
DRAWING NO.	020122MR008SX14ZX
SCALE	2:1
UNIT	mm
A4	

ECN (DCN) NO.	REV	DATE	DESCRIPTION	CHANGE	APPRO.	GENERAL TOLERANCE UNLESS OTHERWISE NOTED
	C		ADD:C1; C2,C3:增加新料號,變更圖框及重標重點尺寸			Angle ±2° 30 ~ ±0.50
EC1T-020502-07	B	02/05/02	B1: 17.30->17.30±0.20	余強	陳清照	10 ~ 30 ±0.30
	A	01/07/25	變更鐵殼腳尺寸	何俊奇	廖宏昌	~ 10 ±0.15

DRAW	潘國隆	01/06/17
DESIGN	潘國隆	01/06/17
CHECK	宋權哲	01/06/17
APPRO.	宋權哲	01/06/17