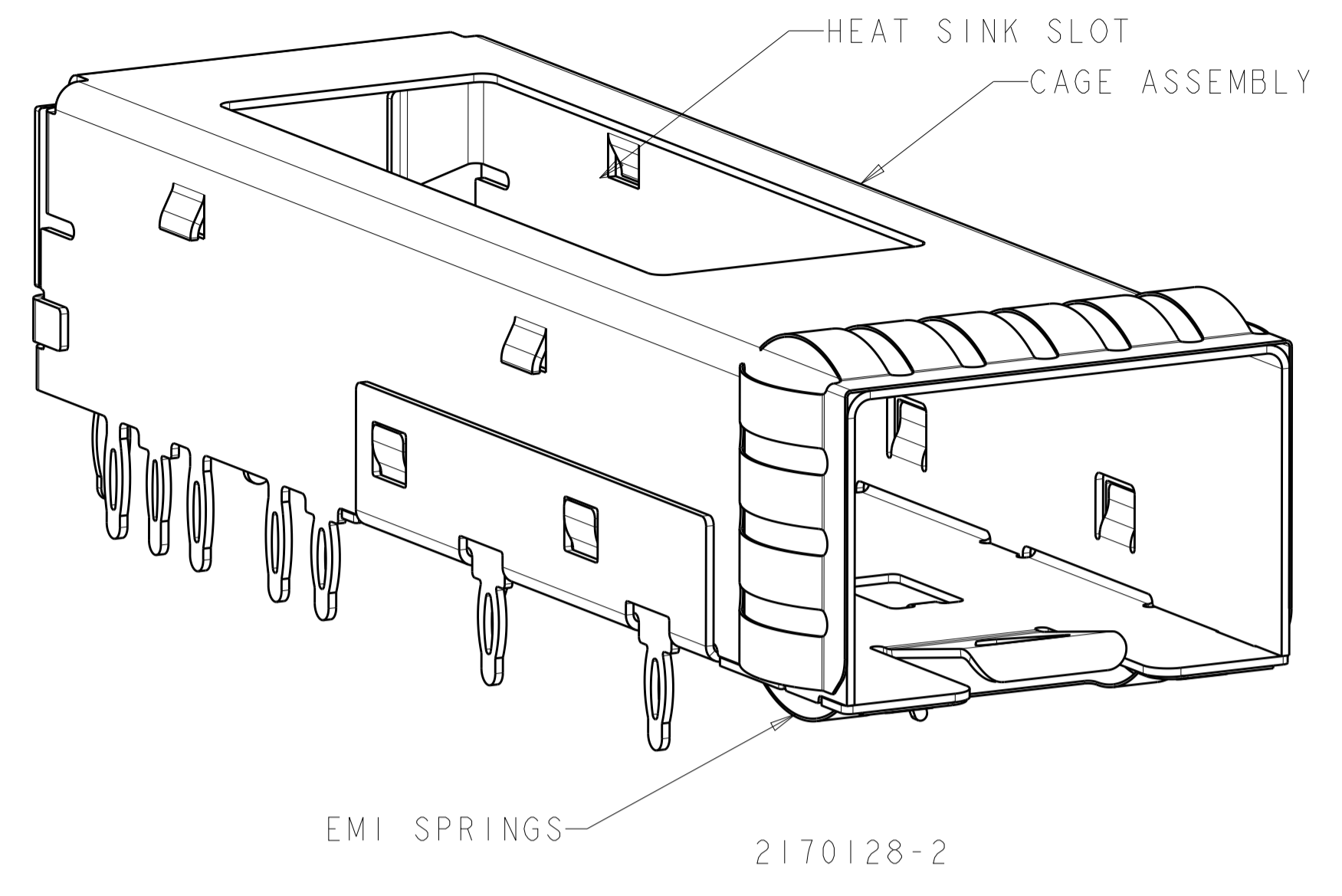
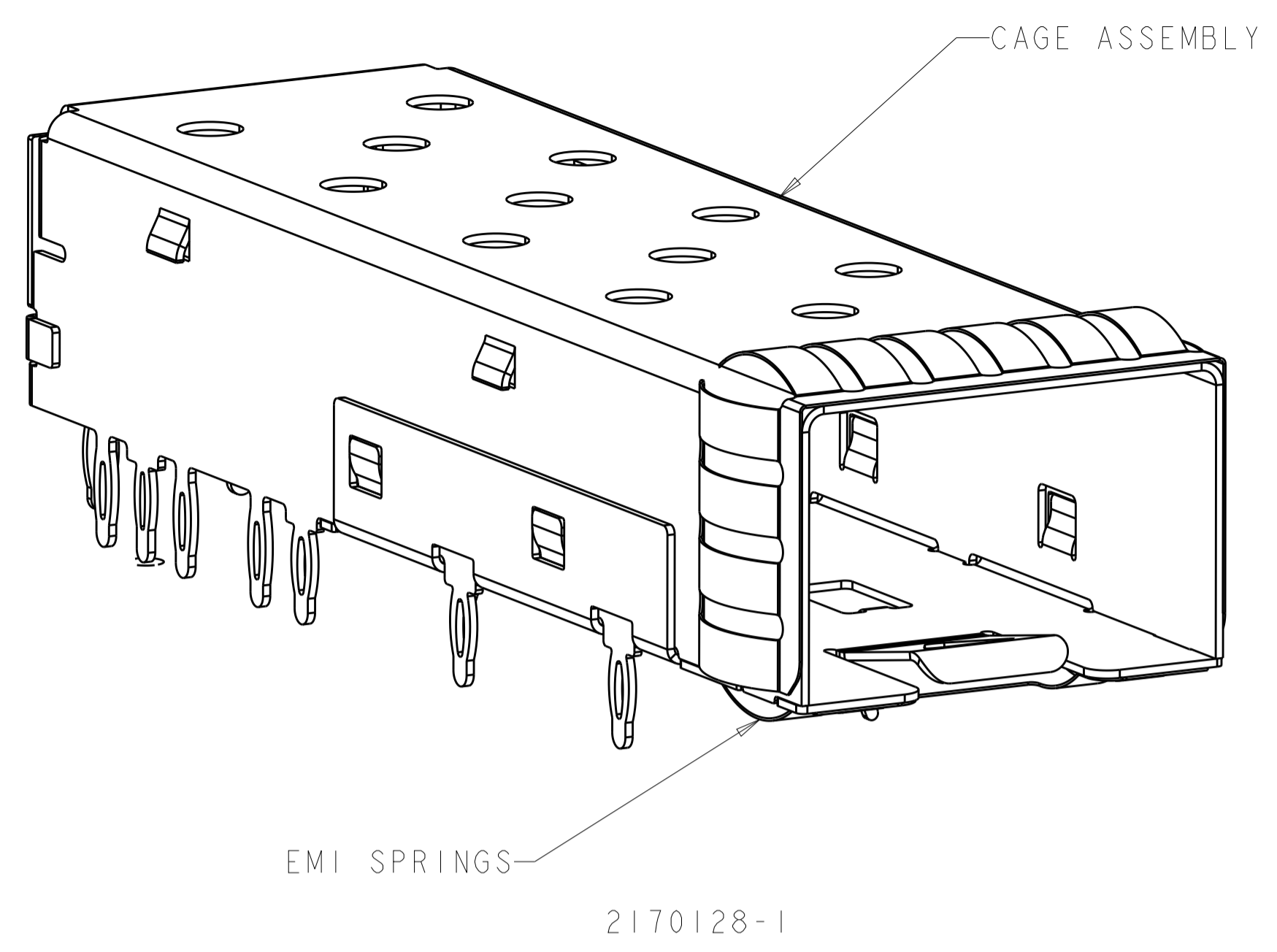
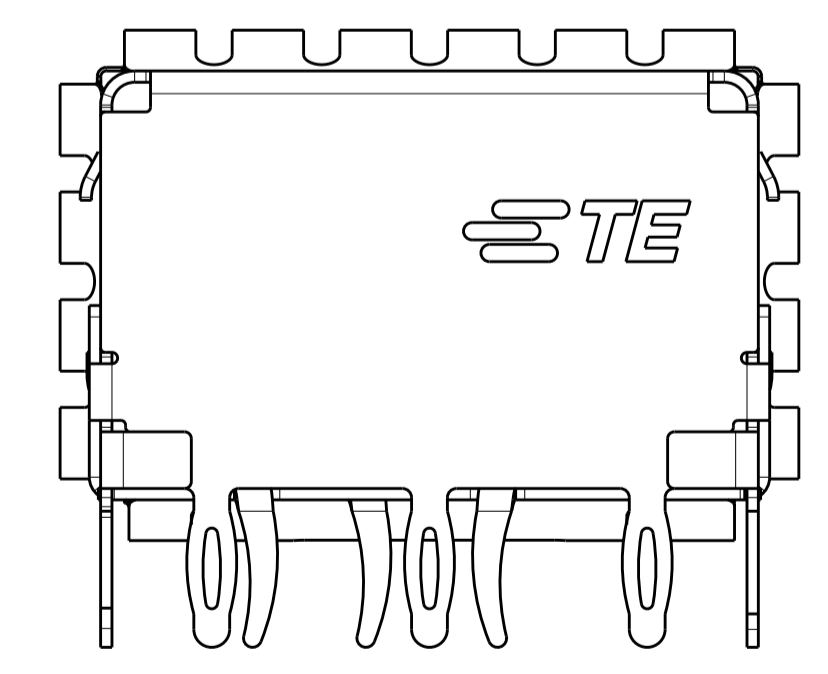
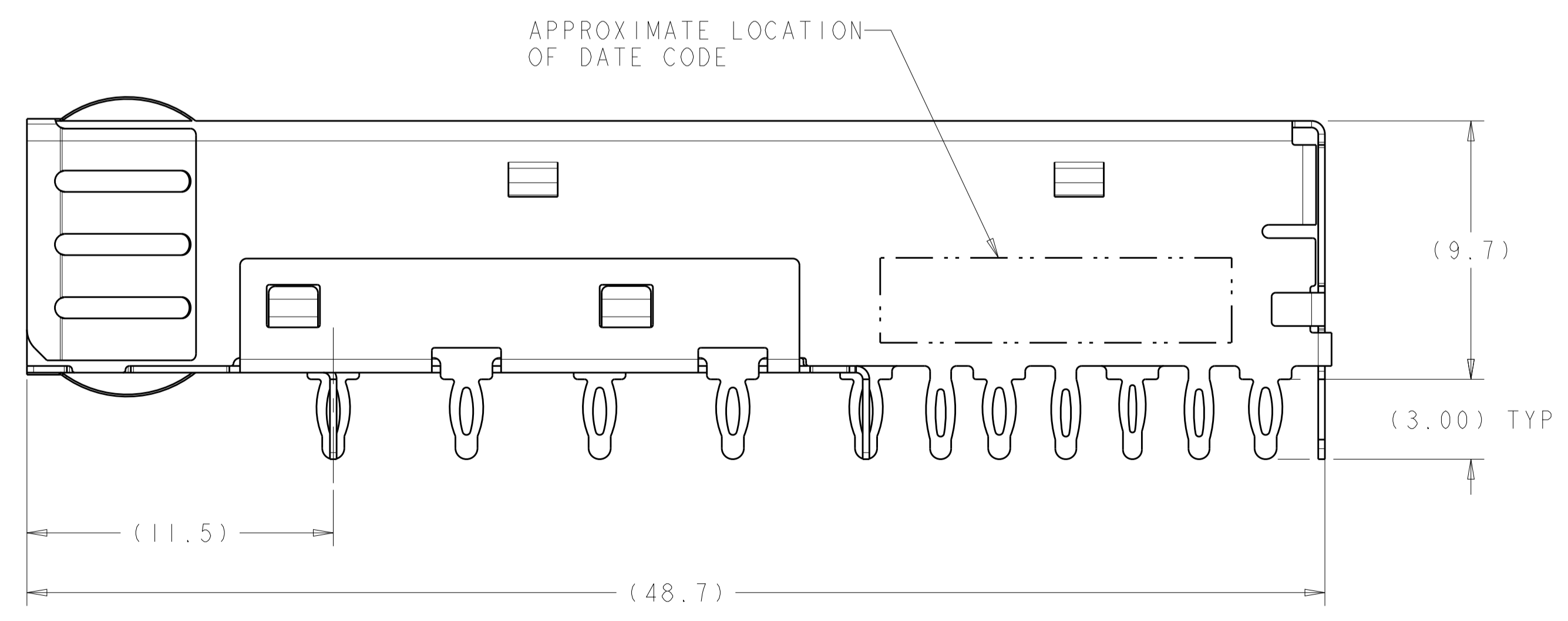
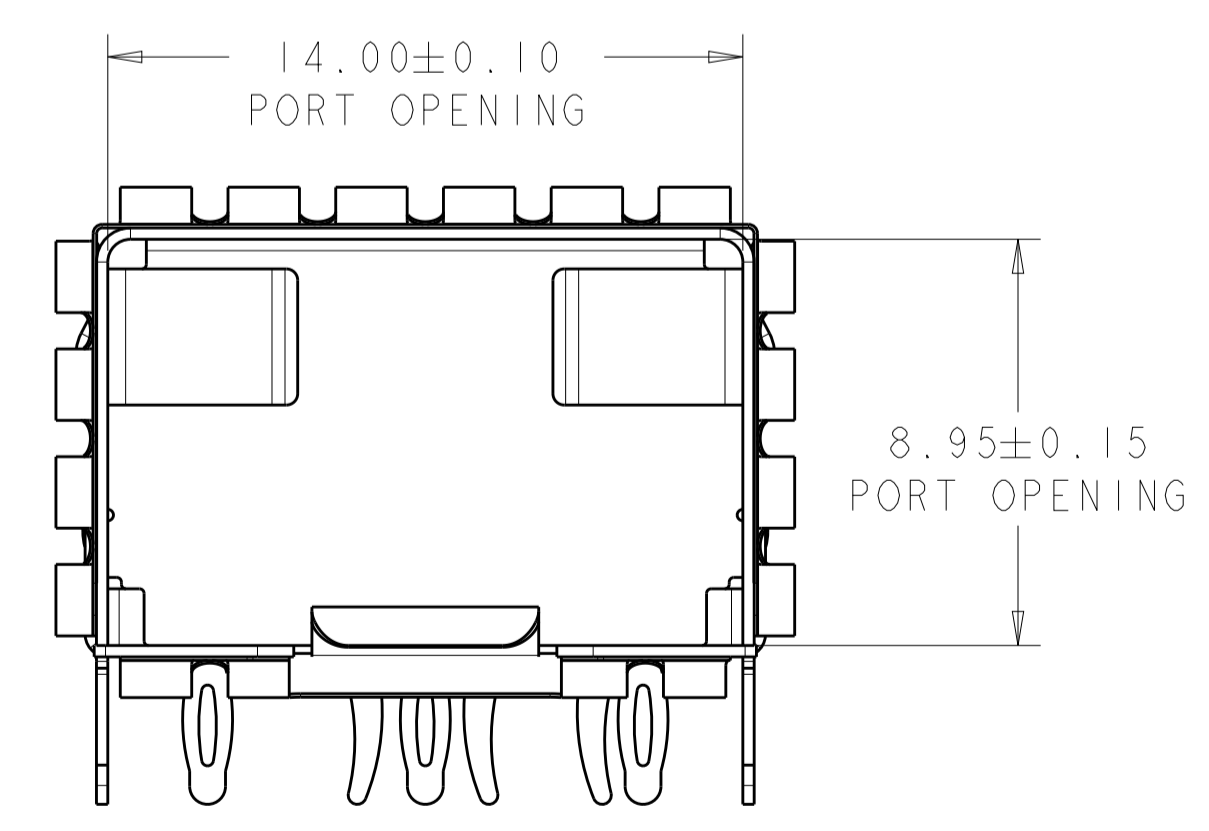
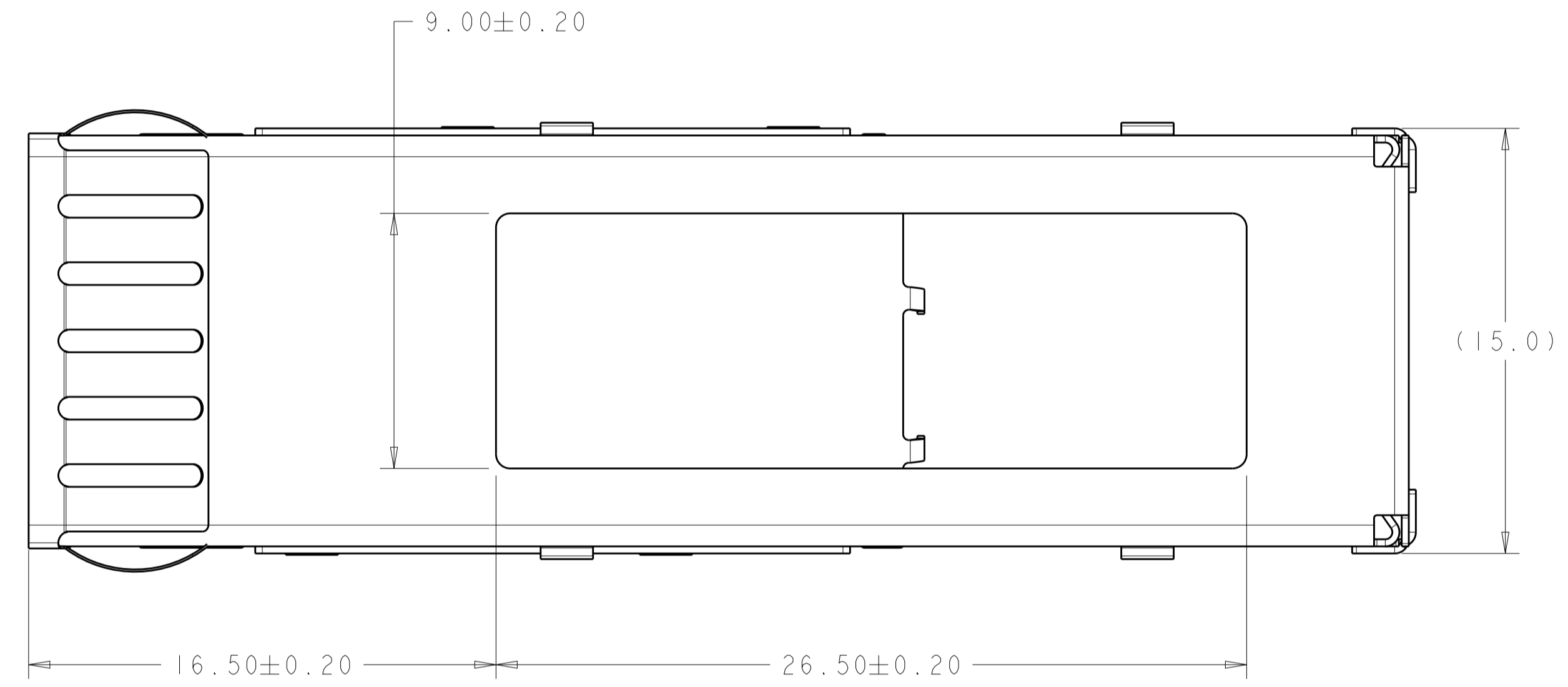


LOC	DIST	REVISIONS			
P	LTN	DESCRIPTION	DATE	DMN	APVD
A		RELEASED PER ECO-13-007850	09MAY2013	PP	SH
A1		RELEASED PER ECO-13-015033	24SEP2013	JZ	SH



- ⚠ MATERIAL:
CAGE ASSEMBLY - NICKEL-SILVER ALLOY.
EMI SPRINGS - COPPER ALLOY.
- ⚠ FINISH:
EMI SPRINGS - 0.8um MIN MATTE TIN OVER 0.8um MIN NICKEL
NON-PLATED EDGES PERMISSIBLE.
- 3. MATES WITH SFP MSA COMPLIANT TRANSCEIVERS.
- ⚠ PADS AND VIAS CHASSIS GROUND.
- ⚠ DATUM AND BASIC DIMENSION ESTABLISHED BY CUSTOMER.
- 6. MINIMUM PC BOARD THICKNESS:
SINGLE SIDED = 1.50 mm
- ⚠ REFERENCE APPLICATION SPEC. 114-13120, HOLE A, FOR
RECOMMENDED DRILL HOLE DIAMETER AND PLATING
THICKNESS.
- ⚠ REFERENCE APPLICATION SPEC. 114-13120, HOLE C, FOR
RECOMMENDED DRILL HOLE DIAMETER AND PLATING
THICKNESS.



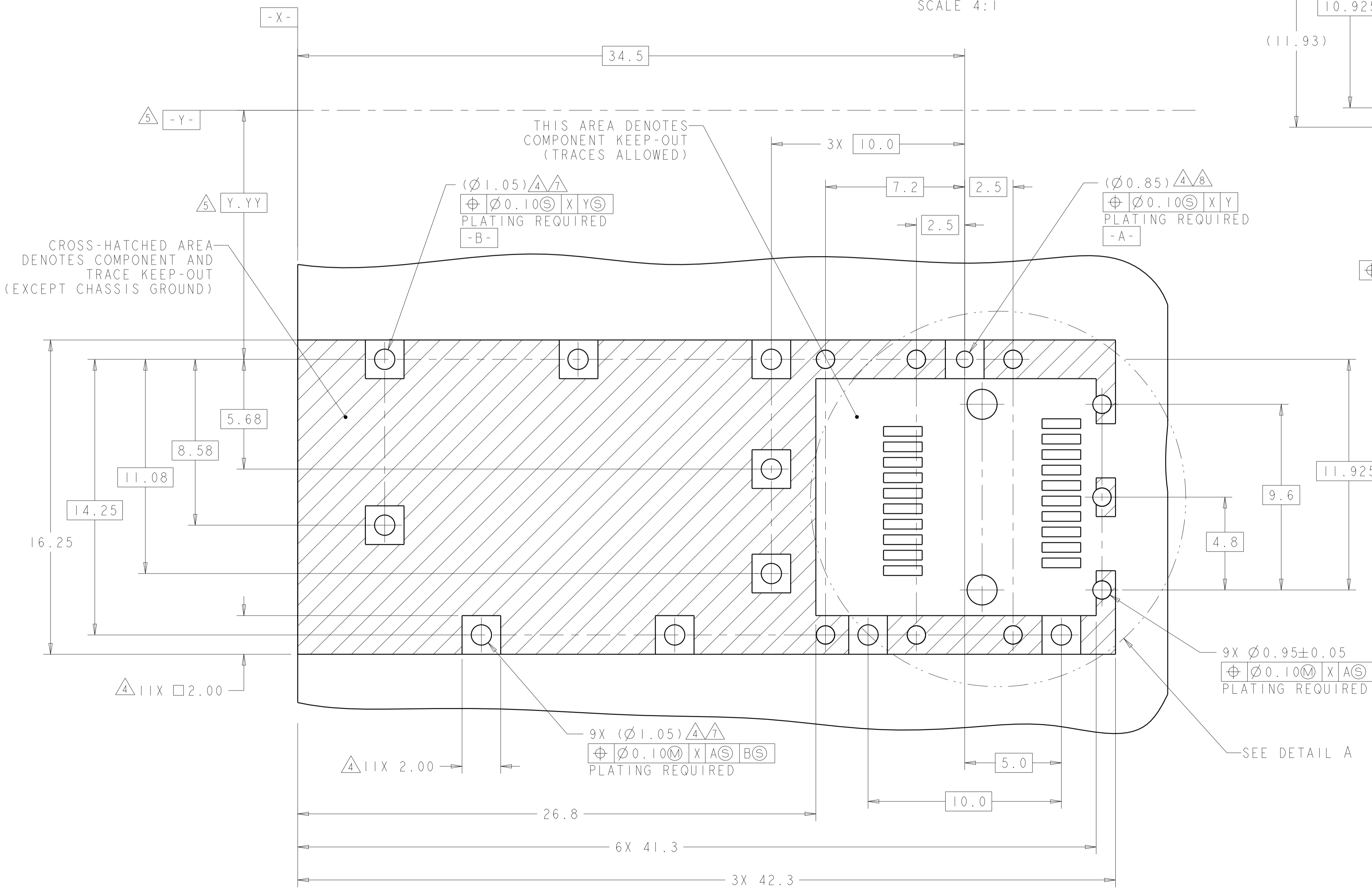
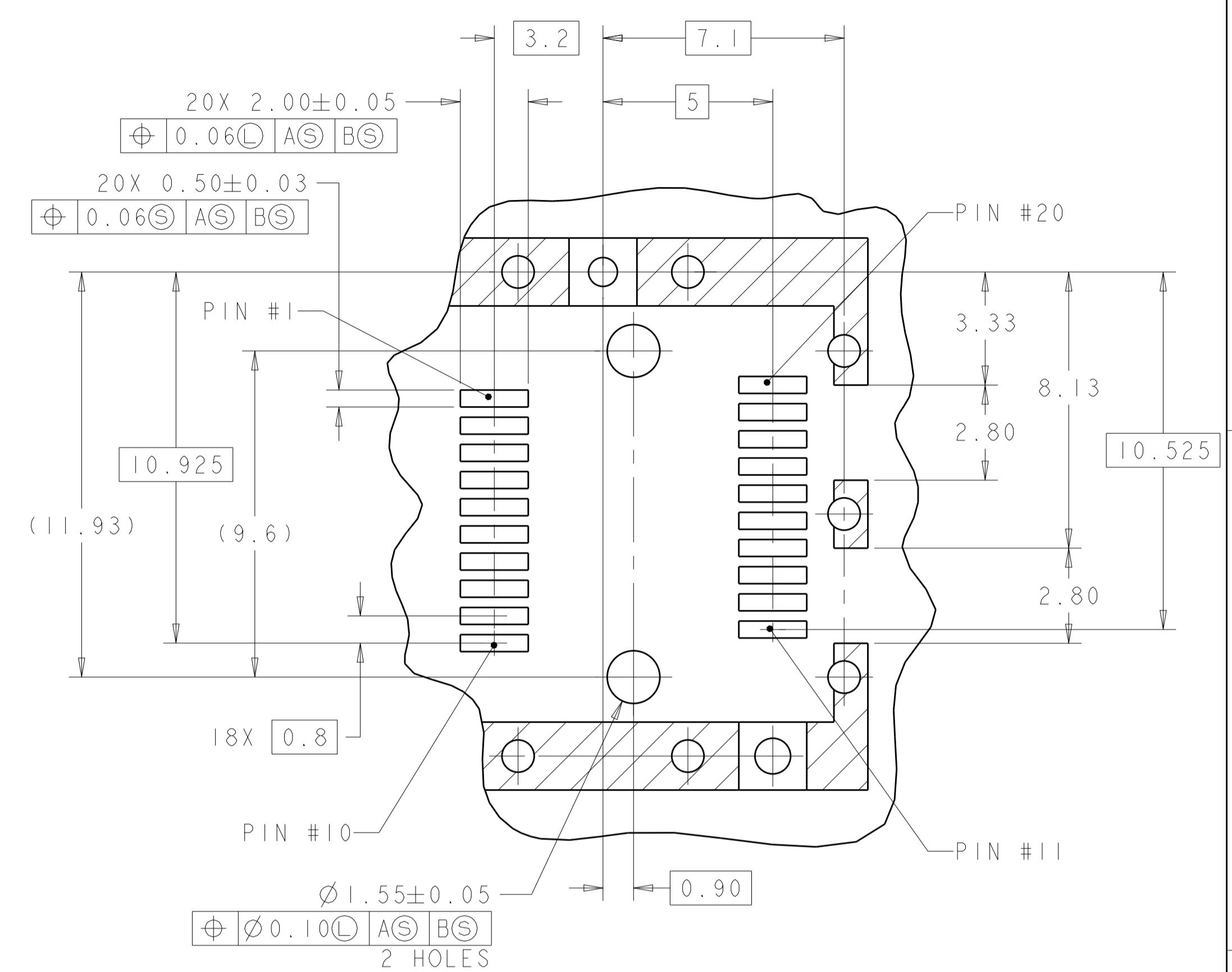
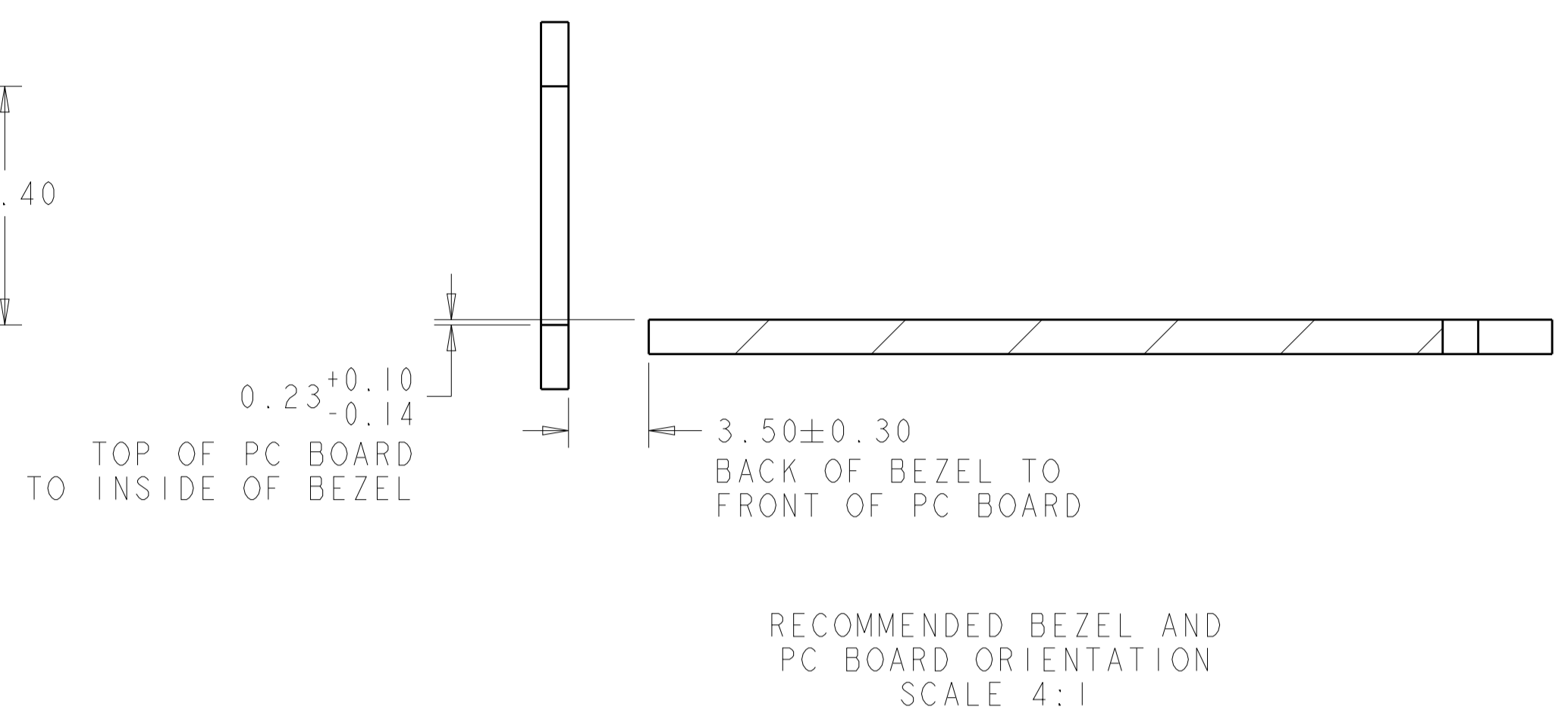
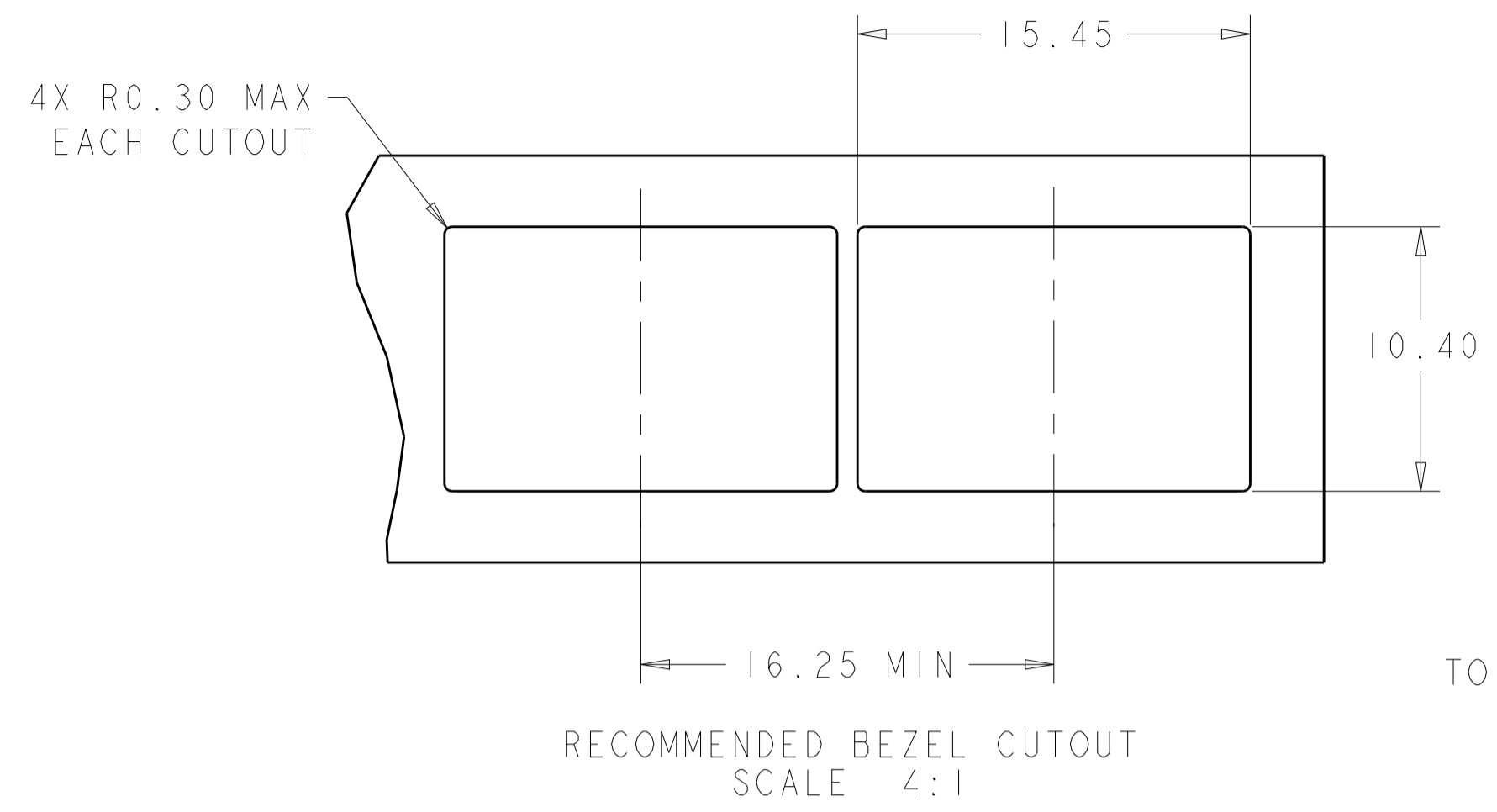
WITH HEAT SINK SLOT	2170128-2
WITHOUT HEAT SINK SLOT	2170128-1
DESCRIPTION	PART NUMBER

THIS DRAWING IS A CONTROLLED DOCUMENT.

DIMENSIONS:	TOLERANCES UNLESS OTHERWISE SPECIFIED:	DMN	30AUG2011	TE Connectivity NAME: SFP+ 1X1 CAGE ASSEMBLY PRESS-FIT, EXTERNAL EMI SPRINGS PRODUCT SPEC: 108-2364 APPLICATION SPEC: 114-13120 SIZE: CAGE CODE DRAWING NO: A100779C=2170128 RESTRICTED TO:
mm	0 PLC ±0.25 1 PLC ±0.20 2 PLC ±0.15 3 PLC ±0.15 4 PLC ±0.15	CHK	30AUG2011	
	ANGLES	APVD	30AUG2011	
	FINISH	C. WANG		
MATERIAL		Customer Drawing	SCALE 6:1	SHEET 1 OF 2

LOC	DIST	REV	DATE	BY	APPD
GP	00				

REVISIONS		DATE	BY	APPD
	SEE SHEET 1			



THIS DRAWING IS A CONTROLLED DOCUMENT.		OWN: TIM XUE 30AUG2011	TE Connectivity
DIMENSIONS: mm		CHK: C. WANG 30AUG2011	
TOLERANCES UNLESS OTHERWISE SPECIFIED:		APVD: C. WANG 30AUG2011	NAME: SFP+ 1X1 CAGE ASSEMBLY PRESS-FIT, EXTERNAL EMI SPRINGS
0 PLC ±		PRODUCT SPEC: 108-2364	SIZE: CAGE CODE DRAWING NO: A100779C=2170128
1 PLC ±0.25		APPLICATION SPEC: 114-13120	RESTRICTED TO: -
2 PLC ±0.20		WEIGHT: -	SCALE: 6:1 SHEET 2 OF 2 REV: A1
3 PLC ±0.15		MATERIAL: -	
4 PLC ±0.15		FINISH: -	
ANGLES ±0.15			