

BPF-3312-X

12.1" Fanless Panel PC with Touch Screen, Core™ 2 Duo, 2W Stereo Speaker, Video Capture, 6 COM, 6 USB, +12V~24V DC IN, Battery Support

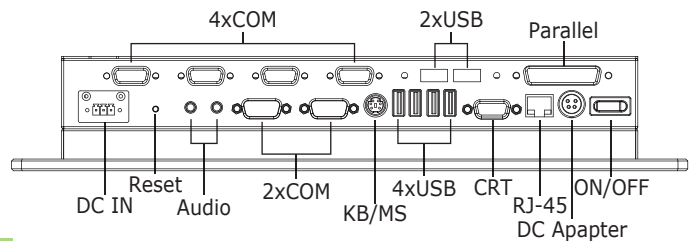
Panel PC



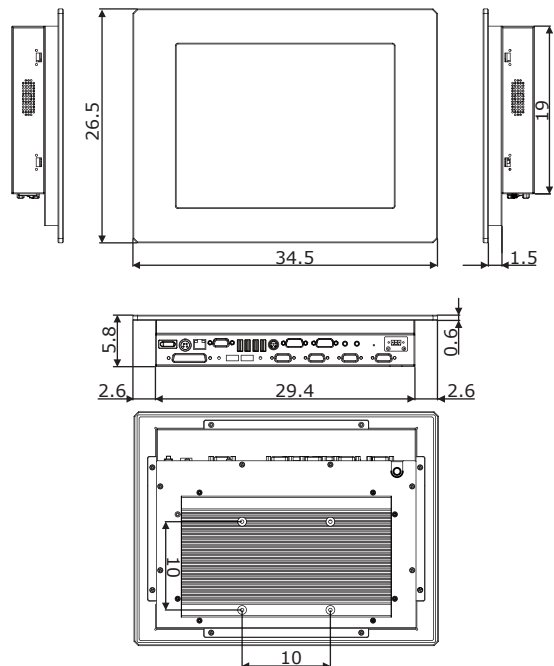
Features

- » Fanless, aluminum front panel design
- » 12.1" TFT color panel display w/touch screen
- » Supports Intel® Core™ 2 Duo processor TDP ≤ 25W
- » VGA, Gigabit Ethernet, Audio port
- » 2W Stereo Speaker
- » 1 x 2.5" SATA HDD space
- » 1 x CF, 1 x mini PCI socket
- » 6 x COM port, 6 x USB2.0 port, parallel port
- » COM port voltage output
- » +12V~24V DC IN
- » Option for 5000mA/H Battery support
- » Option for Video Capture
- » Option for Wireless LAN module

I/O Interface



Dimensions (unit:cm)



Ordering Information

BPF-3312-X

12.1" Panel PC w/Touch Screen, 2W Stereo Speaker, 6 COM, 6 USB, +12V~24V DC IN

Accessory Options

Table Top Metal Stand, CPU, Memory Module, CF Module, Video Capture, Wireless LAN Module, 2.5" SATA HDD, Battery Pack

System

LCD

Size: 12.1"
Max. Resolution: 800 x 600 pixels
Brightness: 400 cd/m²
Max. Color: 262,144 colors/6-bits
Pixel Pitch: 0.3075 x 0.3075 mm

Touch Screen

12.1" resistive

SBC

HS-8602

CPU

Intel® Core™ 2 Duo processor P7350 2.0GHz (option)

System Chipset

Intel® GM45/ICH9-M

System Memory

2 x 204-pin SO-DIMM, DDR3 1066/800MHz, Max. 4GB

Display Interface:

1 x D-SUB 15-pin
1 x Video Capture BNC (option)

Audio Interface

Audio jack for MIC In, Line Out
2W Amplifier with Stereo Speaker

Ethernet Interface

1 x RJ-45 for Gigabit Ethernet
1 x mini PCI wireless LAN module (option)

Storage

1 x 2.5" SATA HDD space
1 x Type II CF socket

Expansion Interface

1 x Type III mini PCI socket

Watchdog Timer

Software programmable time-out intervals from 1~255 sec. or 1~255 min.

H/W Status Monitor

Monitoring temperatures, voltages status

Power

12V 84W DC adapter with lockable jack
+12~24V DC IN
5000mA/H Battery (option)

Operating/Storage Temperature

0~45°C/-20~+70°C

Certification

FCC/CE Class A compliance
IP65 front panel protection compliance

Dimensions

34.5(L) x 26.5(H) x 5.8(W) cm

Cut Out Size

29.8(L) x 23.0(H) cm