

Series 802 Receptacles for PCB or Solder Cup



**Square Flange Receptacle
with 4 #16 PCB Contacts
(Layout 9-4)**

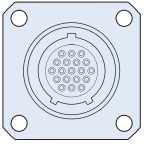
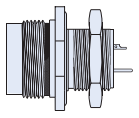
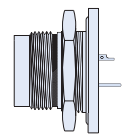
Series 802 PCB/Solder Receptacles feature gold-plated tails for solder termination to rigid or flexible circuits or solder cups for attaching wire. Contacts are non-removable.

316 series **Stainless Steel Shells** and **Viton® O-rings** for excellent performance in corrosive environments.

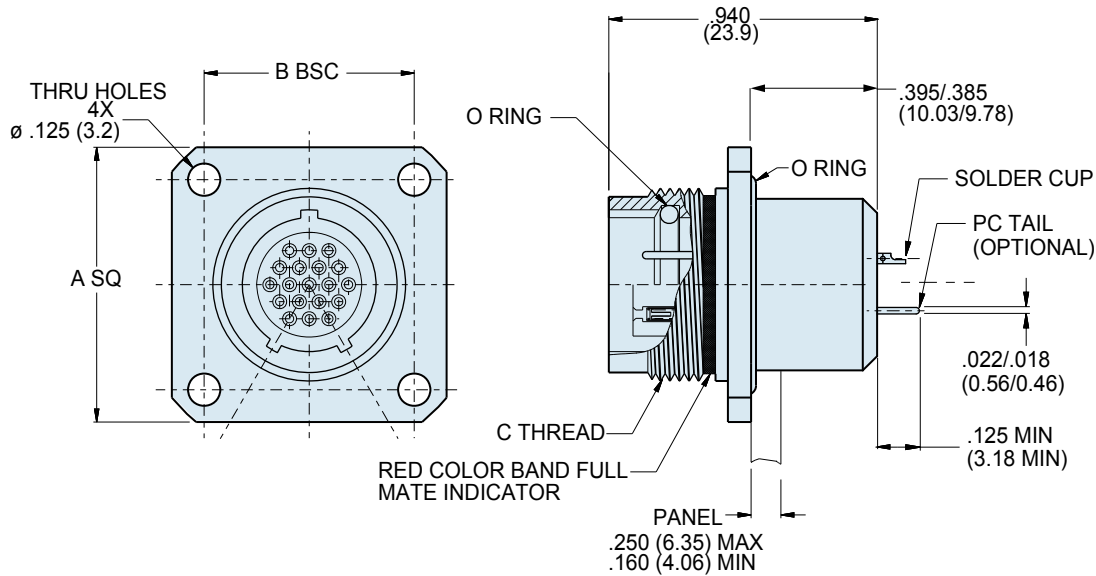
Three Shell Styles: jam nut with o-ring for rear panel mounting, jam nut with o-ring for front panel mounting, or square flange for front panel mounting.

Epoxy Sealed to prevent water ingress in "open face" condition. Viton® o-ring provides sealing to 3500 PSI hydrostatic pressure when mated. Open face (unmated) pressure rating is 1 meter immersion for one hour.

HOW TO ORDER SERIES 802 PCB / SOLDER CUP RECEPTACLES

| Sample Part Number | | | | | |
|--|--|---|---|--|--|
| 802-012 | -00 | Z1 | 6-1 | P | A |
| Series | Shell Style | Shell Material / Finish | Shell Size- Insert Arrangement | Contact Type | Shell Key Position |
| 802-012 Receptacle with Solder Cup or PCB Contacts |  -02 Square Flange | Z1 Stainless Steel / Passivated ZM Stainless Steel / Electroless Nickel Plated | 5-3 3 #23 Contacts 6-1 1 #16 Contact 6-4 4 #23 Contacts 6-7 7 #23 Contacts 7-1 1 #12 Contact 7-10 10 #23 Contacts 8-13 13 #23 Contacts 9-4 4 #16 Contacts 9-19 19 #23 Contacts 10-26 26 #23 Contacts 12-2 2 #12 Contacts 12-37 37 #23 Contacts 14-55 55 #23 Contacts 15-85 85 #23 Contacts | P Pin, PC Tail S Socket, PC Tail E Pin, Solder Cup F Socket, Solder Cup | A Normal B Pos. B C Pos. C D Pos. D |
| | | |  -00 Jam Nut for Front Panel Mounting | | |
| | | |  -07 Jam Nut for Rear Panel Mounting | | |

802-012-02 Square Flange Receptacles for PCB or Solder Cup



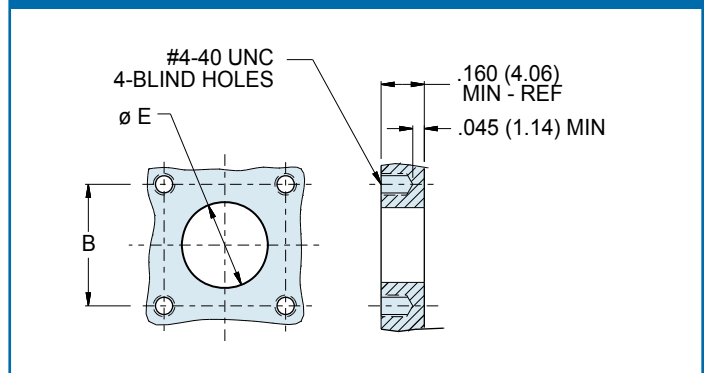
DIMENSIONS

| Shell Size | A Square | | B Bsc. | | C Mating Threads | Ø F | |
|------------|----------|-------|--------|-------|---------------------|-------|-------|
| | In. | mm. | In. | mm. | | In. | mm. |
| 5 | .885 | 22.48 | .500 | 12.70 | .438-28 UNEF | .327 | 8.31 |
| 6 | 1.010 | 25.65 | .625 | 15.88 | .562-20 UN | .390 | 9.91 |
| 7 | 1.072 | 27.23 | .688 | 17.48 | .625-20 UN | .515 | 13.08 |
| 8 | 1.135 | 28.83 | .750 | 19.05 | .687-20 UN | .577 | 14.66 |
| 9 | 1.195 | 30.35 | .812 | 20.62 | .750-20 UNEF | .640 | 16.26 |
| 10 | 1.260 | 32.00 | .875 | 22.23 | .812-20 UNEF | .702 | 17.83 |
| 12 | 1.322 | 33.58 | .938 | 23.83 | .875-20 UNEF | .765 | 19.43 |
| 14 | 1.510 | 38.25 | 1.125 | 28.58 | 1.062-20 UN | .953 | 24.21 |
| 15 | 1.572 | 39.93 | 1.188 | 30.18 | 1.125-20 UN | 1.015 | 25.78 |

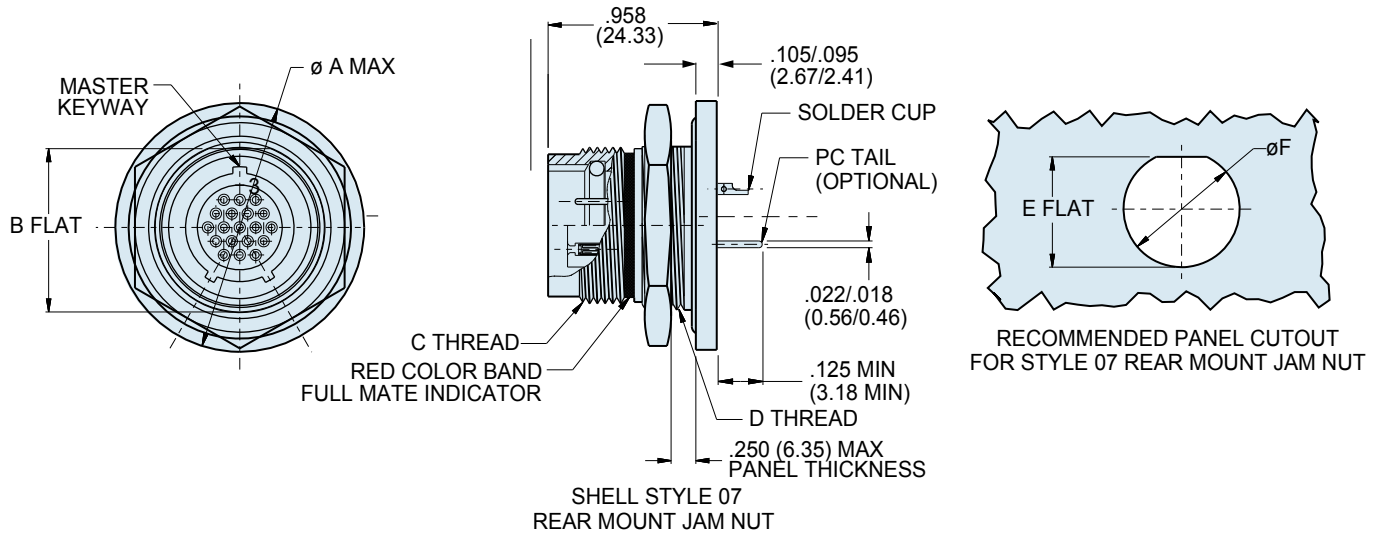
SERIES 802 RECEPTACLE KEY POSITIONS

| Key Position | Key Rotation | |
|--------------|--------------|------|
| | A° | B° |
| Normal (A) | 150° | 210° |
| B | 75° | 210° |
| C | 95° | 230° |
| D | 140° | 275° |

SERIES 802 SQ FLANGE PANEL CUTOUT



802-012-07 Jam Nut Receptacles for PCB or Solder Cup



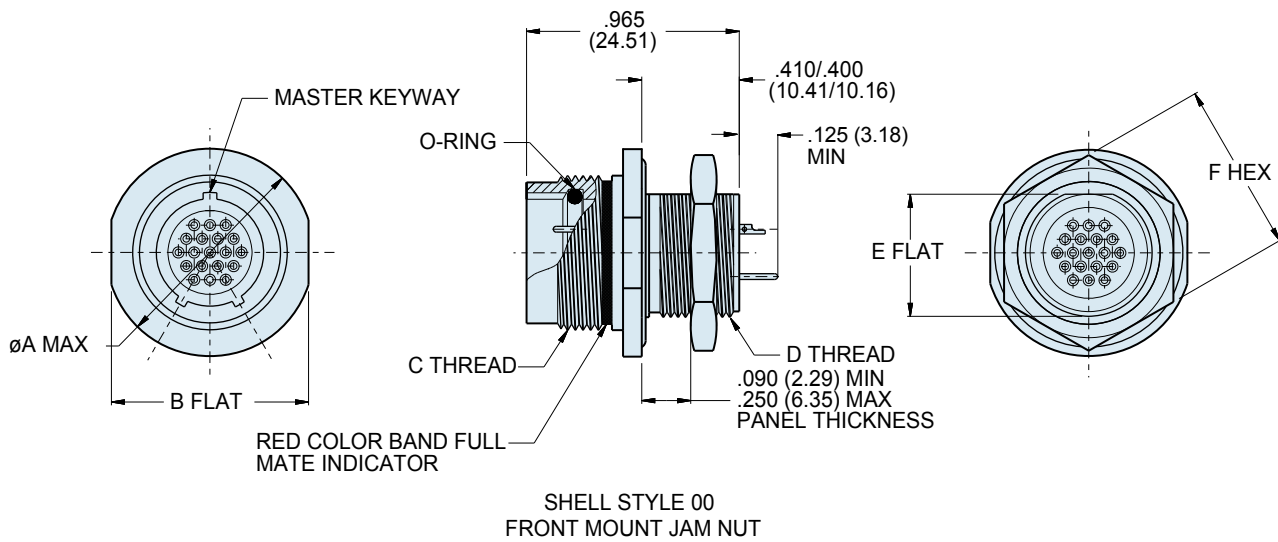
DIMENSIONS

| Shell Size | A Max. | | B Flat | | C Mating Threads | D Threads | E Flat | | Ø F | |
|------------|--------|-------|--------------|--------------|------------------------|----------------|--------------|--------------|-------|-------|
| | In. | mm. | In. ±.003 | mm. ±0.08 | | | In. ±.003 | mm. ±0.08 | In. | mm. |
| 5 | .885 | 22.48 | .466 | 11.84 | .438-28 UNEF | .500-32 UN-2A | .477 | 12.12 | .510 | 12.95 |
| 6 | 1.010 | 25.65 | .591 | 15.01 | .562-20 UN | .625-28 UN-2A | .602 | 15.29 | .635 | 16.13 |
| 7 | 1.072 | 27.23 | .653 | 16.59 | .625-20 UN | .687-28 UN-2A | .664 | 16.87 | .697 | 17.70 |
| 8 | 1.135 | 28.83 | .716 | 18.19 | .687-20 UN | .750-28 UN-2A | .727 | 18.47 | .760 | 19.30 |
| 9 | 1.195 | 30.35 | .778 | 19.76 | .750-20 UNEF | .812-28 UN-2A | .789 | 20.04 | .822 | 20.88 |
| 10 | 1.260 | 32.00 | .827 | 21.01 | .812-20 UNEF | .875-28 UN-2A | .838 | 21.29 | .885 | 22.48 |
| 12 | 1.322 | 33.58 | .890 | 22.61 | .875-20 UNEF | .938-28 UN-2A | .901 | 22.89 | .948 | 24.08 |
| 14 | 1.510 | 38.25 | 1.077 | 27.36 | 1.062-20 UN | 1.125-28 UN-2A | 1.088 | 27.64 | 1.135 | 28.83 |
| 15 | 1.572 | 39.93 | 1.140 | 28.96 | 1.125-20 UN | 1.188-28 UN-2A | 1.151 | 29.24 | 1.198 | 30.43 |

SERIES 802 RECEPTACLE KEY POSITIONS

| Key Position | Key Rotation | |
|--------------|--------------|------|
| | A° | B° |
| Normal (A) | 150° | 210° |
| B | 75° | 210° |
| C | 95° | 230° |
| D | 140° | 275° |

802-012-00 Jam Nut Receptacles for PCB or Solder Cup



DIMENSIONS

| Shell Size | A Max. | | B Flat | | C Mating Threads | | D Threads | | E Flat | | F Hex | | G Flat | | Ø H | |
|------------|--------|-------|--------|-------|------------------|----------------|-----------|-------|--------|-------|-------|-------|--------|-------|-----|-----|
| | In. | mm. | In. | mm. | | | | | In. | mm. | In. | mm. | In. | mm. | In. | mm. |
| 5 | .720 | 18.29 | .625 | 15.88 | .438-28 UNEF-2A | .312-28 UN-2A | .281 | 7.14 | .500 | 12.70 | .289 | 7.34 | .322 | 8.18 | | |
| 6 | .780 | 19.81 | .750 | 19.05 | .562-20 UN-2A | .438-28 UN-2A | .344 | 8.74 | .625 | 15.88 | .414 | 10.52 | .448 | 11.38 | | |
| 7 | .910 | 23.11 | .812 | 20.62 | .625-20 UN-2A | .500-32 UN-2A | .469 | 11.91 | .688 | 17.48 | .477 | 12.12 | .510 | 12.95 | | |
| 8 | .960 | 24.38 | .875 | 22.23 | .687-20 UN-2A | .562-28 UN-2A | .531 | 13.49 | .750 | 19.05 | .539 | 13.69 | .572 | 14.53 | | |
| 9 | 1.030 | 26.16 | .937 | 23.80 | .750-20 UNEF-2A | .625-28 UN-2A | .594 | 15.09 | .812 | 20.62 | .602 | 15.29 | .635 | 16.13 | | |
| 10 | 1.090 | 27.69 | 1.000 | 25.40 | .812-20 UNEF-2A | .687-28 UN-2A | .656 | 16.66 | .875 | 22.23 | .664 | 16.87 | .697 | 17.70 | | |
| 12 | 1.160 | 29.46 | 1.062 | 26.97 | .875-20 UNEF-2A | .750-28 UN-2A | .719 | 18.26 | .938 | 23.83 | .727 | 18.47 | .760 | 19.30 | | |
| 14 | 1.340 | 34.04 | 1.250 | 31.75 | 1.062-20 UN-2A | .938-28 UN-2A | .893 | 22.68 | 1.125 | 28.58 | .901 | 22.89 | .948 | 24.08 | | |
| 15 | 1.410 | 35.18 | 1.312 | 33.32 | 1.125-20 UN-2A | 1.000-28 UN-2A | .955 | 24.26 | 1.188 | 30.18 | .963 | 24.46 | 1.010 | 25.65 | | |

SERIES 802 RECEPTACLE KEY POSITIONS

| Key Position | Key Rotation | |
|--------------|--------------|------|
| | A° | B° |
| Normal (A) | 150° | 210° |
| B | 75° | 210° |
| C | 95° | 230° |
| D | 140° | 275° |

