

4

3

2

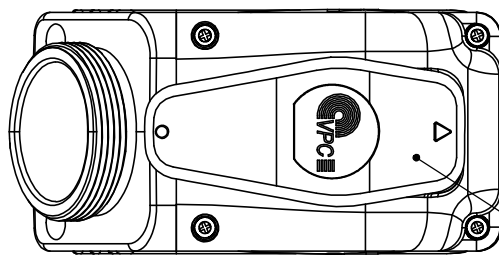
1

DO NOT SCALE DRAWING

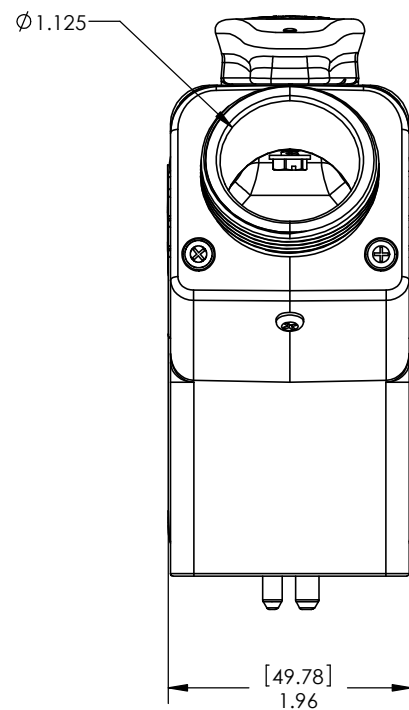
THE INFORMATION CONTAINED HEREIN IS THE EXCLUSIVE PROPERTY OF VIRGINIA PANEL CORPORATION AND IS SUBMITTED FOR USE BY THE CUSTOMER ONLY. THE DATA SHALL NOT BE DUPLICATED, USED, OR DISCLOSED IN WHOLE OR IN PART FOR ANY PURPOSE OTHER THAN TO MAINTAIN THE EQUIPMENT PROVIDED. CONSULT WITH VIRGINIA PANEL CORPORATION ENGINEERING IF MORE DETAIL IS REQUIRED.

REVISIONS

REV	DESCRIPTION	DATE	ENGR
E	ECN #7187	12/5/16	J SHAND

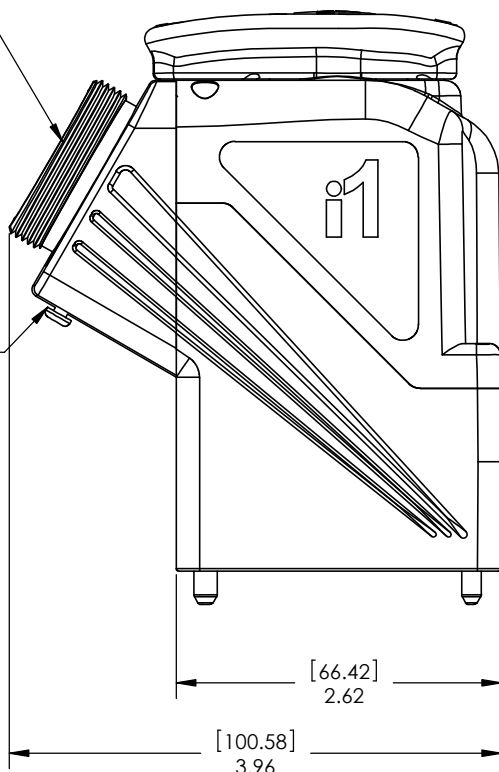


HANDLE SHOWN IN ENGAGED POSITION. ROTATE 180° COUNTER-CLOCKWISE FOR DISENGAGED POSITION.



1-7/16-18 UNEF

RECOMMENDED LOCATION FOR ATTACHING PROTECTIVE COVER

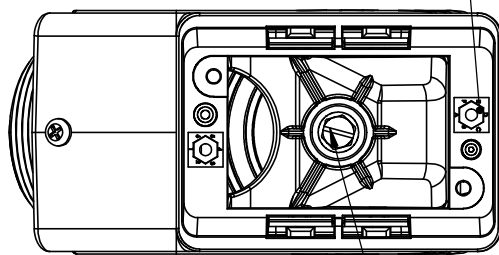


[114.44]
4.51

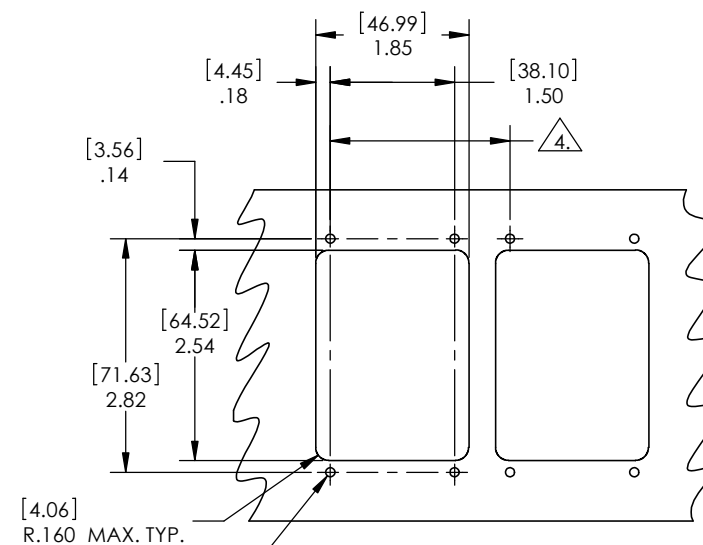
[66.42]
2.62

[100.58]
3.96

CAVITY FOR KEYING KIT, TYP. 2 PLCS. ACCESSORY P/N 310113461 (2 KEYS PER KIT) NOT INCLUDED WITH ITA



#6 GROUNDING SCREW



RECOMMENDED RECEIVER PANEL CUTOUT

TOLERANCES ARE:
.XX = ±[.25].01
.XXX = ±[.13].005
UNLESS OTHERWISE SPECIFIED

FOR MOUNTING USE Ø [2.79] .11, 2-56 OR M2 TAPPED HOLE. (SUPPLIED WITH 4X 2-56 SCREWS, LOCK WASHERS AND NUTS)

4 MINIMUM RECEIVER SPACING BETWEEN PANEL CUTOUTS FOR THE 410128102 IS 2.20" [55.88mm]. FOR A COMPLETE LIST OF SPACING DIMENSIONS, SEE i1 RECEIVER MOUNTING SECTION IN THE i1 USER'S MANUAL.

3. PROTECTIVE COVER INCLUDED WITH ASSEMBLY (NOT SHOWN)

2. MATERIALS:

- OUTER SHELL COMPONENTS & HANDLE - THERMOPLASTIC
- INNER SHELL - ALUMINUM ALLOY
- SPRING LOCK BEAMS - Ni PLATED COPPER ALLOY
- DECALS - VINYL OVER POLYESTER
- HARDWARE & PINS - STAINLESS STEEL

1. FOR APPLICATION USE & CARE INFORMATION CONSULT VPC USERS GUIDE @WWW.VPC.COM
NOTES:

CUSTOMER DRAWING

VIRGINIA PANEL CORPORATION
WWW.VPC.COM

i1 EMI ITA

DIMENSIONS ARE SHOWN AS:	SIZE	CAGE CODE	DWG. NO.	REV
[MILLIMETERS]	C	18117	410128102	E
INCHES	SCALE: 1:4	410128102	8/4/09	SHEET 1 OF 1

4

3

2

1