

**PLEASE CHECK WWW.MOLEX.COM FOR LATEST PART INFORMATION**

**Part Number:** [0740298450](#)  
**Status:** **Active**  
**Overview:** VHDM Backplane Connector Systems  
**Description:** VHDM Board-to-Board Backplane Receptacle Power Module, 2.00mm Pitch, Vertical, 8 Rows, 2 Circuits, Pin 2 Voided, Gold (Au) Selective 1.27µm

**Documents:**

[3D Model](#) [Packaging Specification PK-70873-0876 \(PDF\)](#)  
[Drawing \(PDF\)](#) [RoHS Certificate of Compliance \(PDF\)](#)  
[Product Specification PS-74031-999-001 \(PDF\)](#)

**Agency Certification**

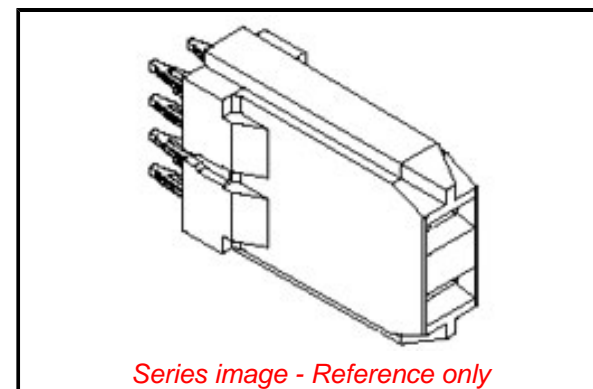
CSA LR19980  
 UL E29179

**General**

Product Family Backplane Connectors  
 Series [74029](#)  
 Application Backplane  
 Application Tooling Documents TM-622010999  
 Comments Backplane Receptacle Module, Power  
 Component Type Power Receptacle  
 Overview [VHDM Backplane Connector Systems](#)  
 Product Name VHDM  
 UPC 800756568607

**Physical**

Circuits (Loaded) 2  
 Circuits (maximum) 3  
 Circuits Detail Pin 2 voided  
 Color - Resin Black  
 Durability (mating cycles max) 200  
 First Mate / Last Break No  
 Flammability 94V-0  
 Guide to Mating Part No  
 Keying to Mating Part None  
 Material - Metal High Performance Alloy (HPA)  
 Material - Plating Mating Gold  
 Material - Plating Termination Tin-Lead  
 Material - Resin High Temperature Thermoplastic  
 Net Weight 1.232/g  
 Number of Columns N/A  
 Number of Pairs Open Pin Field  
 Number of Rows 8  
 Orientation Vertical  
 PC Tail Length 2.80mm  
 PCB Locator No  
 PCB Retention None  
 PCB Thickness - Recommended 1.80mm  
 Packaging Type Tube  
 Pitch - Mating Interface 2.00mm  
 Pitch - Termination Interface 4.00mm  
 Plating min - Mating 1.270µm  
 Plating min - Termination 0.381µm  
 Polarized to PCB Yes  
 Stackable No  
 Surface Mount Compatible (SMC) Yes



Series image - Reference only

**EU ELV**

**Not Relevant**

**EU RoHS**

**Compliant**

**REACH SVHC**

Not Contained Per -  
 ED/61/2018 (27 June  
 2018)

**Halogen-Free**

**Status**

**Low-Halogen**

**Need more information on product  
 environmental compliance?**

Email [productcompliance@molex.com](mailto:productcompliance@molex.com)  
 Please visit the [Contact Us](#) section for any  
 non-product compliance questions.

China ROHS

ELV

RoHS Phthalates

Green Image

Not Relevant

Not Contained

**Search Parts in this Series**

[74029](#) Series

**Mates With**

[74026](#) VHDM Board-to-Board Daughtercard  
 Receptacle

**Application Tooling | FAQ**

*Tooling specifications and manuals are  
 found by selecting the products below.  
 Crimp Height Specifications are then  
 contained in the Application Tooling  
 Specification document.*

**Global**

**Description**

**Product #**

Backplane 6 and 8-  
 Row Power Module  
 Insertion Tool

[0622020211](#)

Temperature Range - Operating -55° to +105°C  
Termination Interface: Style Through Hole - Compliant Pin

**Electrical**

Current - Maximum per Contact 10.0A  
Data Rate 2.5 Gbps  
Real Signals (per 25mm) 100  
Shielded No  
Voltage - Maximum 250V

**Solder Process Data**

Lead-free Process Capability N/A

**Material Info**

**Reference - Drawing Numbers**

Packaging Specification PK-70873-0876  
Product Specification PS-74031-999-001  
Sales Drawing SD-74029-002, SD-74029-009

This document was generated on 09/10/2018

**PLEASE CHECK [WWW.MOLEX.COM](http://WWW.MOLEX.COM) FOR LATEST PART INFORMATION**