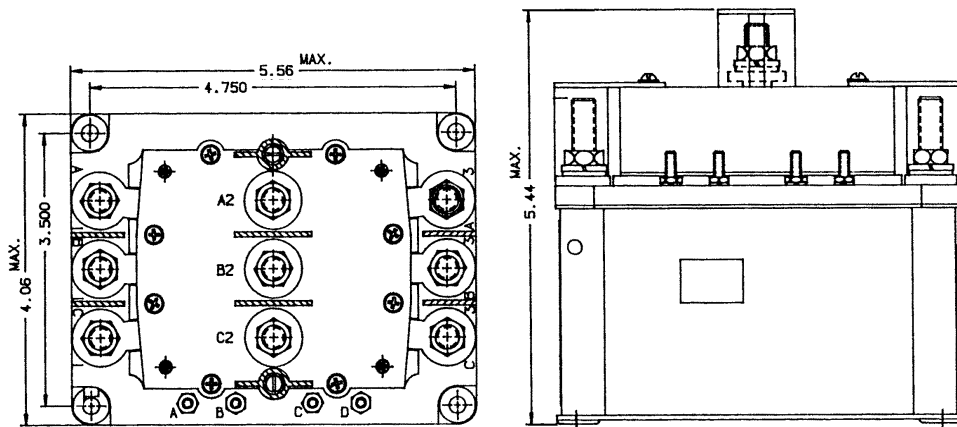


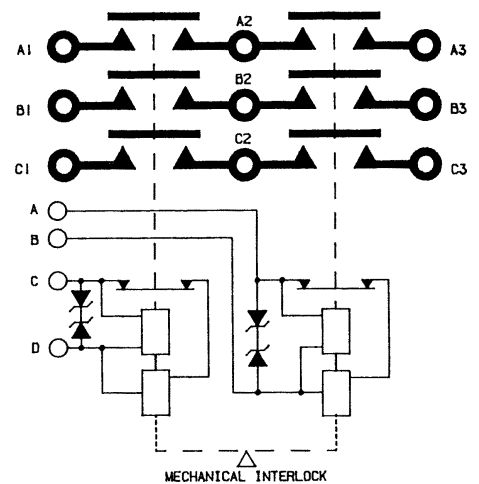
B-393P 3PDT, Center Off, 200 Amps, 120/208 VAC, 50/60/400 Hz

Features:

- 3PDT Center Off Main Contacts
- Transient Suppression
- Mechanically Interlocked
- 120/208 VAC, 50/60/400 Hz
- 200 Amps
- High Reliability
- Meets many requirements of MIL-R-6106



CONTACTOR CONFIGURATION



Dimensions for this product are expressed in inches.
Multiply values by 25.4 for millimeters.

PRODUCT SPECIFICATIONS

Construction	Gasket Sealed, Vented
Main Contacts: Configuration	3PDT Center Off
Voltage (Nominal)	120/208 VAC, 50/60/400 Hz
Current (Resistive)	200 Amps
Coil Data: Duty Cycle	Continuous
Voltage (Nominal)	28 VDC
Pick-Up Voltage	18 VDC Maximum
Drop-Out Voltage	1 - 7 VDC
Coil Current @ 28 VDC & +25°C In-Rush	3.6 Amps Maximum
Hold	0.5 Amps Maximum
Operating Temperature	-65°F to 160°F
Life: Electrical	30,000 Cycles
Mechanical	100,000 Cycles
Weight	4 Lbs. 8 Oz.

Notes:

For factory-direct application assistance, contact the HARTMAN product team at (419) 521-9500, Fax (419) 526-2749.

© 2004 by Tyco Electronics Corporation. All Rights Reserved.
HARTMAN and TYCO are trademarks.

Catalog (web doc only)
Revised 5-04

Dimensions are in inches and millimeters unless otherwise specified. Values in brackets are metric equivalents.

Dimensions are shown for reference purposes only. Specifications subject to change.

USA: 1-800-522-6752
Canada: 1-905-470-4425
Mexico: 01-800-733-8926
C. America: 52-55-5-729-0425

South America: 55-11-3611-1514
Hong Kong: 852-2735-1628
Japan: 81-44-844-8013
UK: 44-141-810-8967