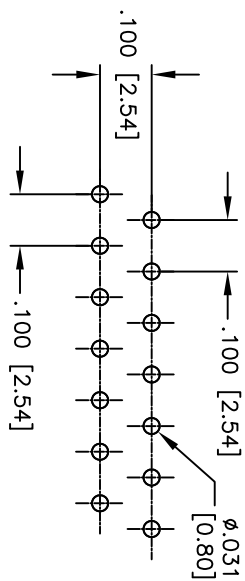
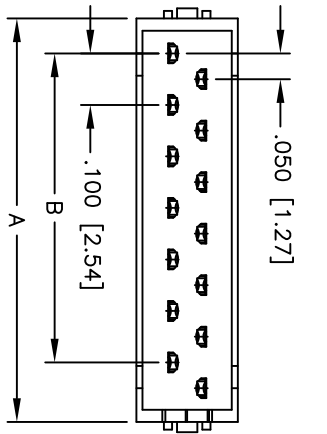


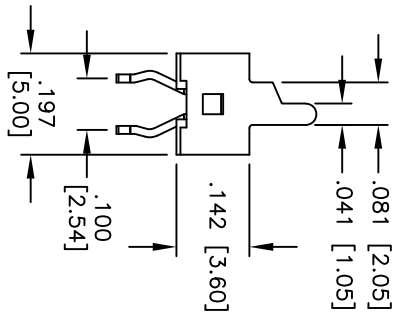
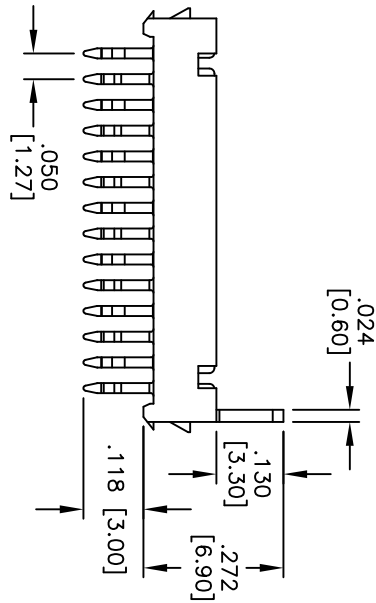
Rev	AWO #	Description	Date	Appr
-		RELEASED	3/11/10	

APPROVED: _____

DATE: _____ TITLE: _____



RECOMMENDED PCB LAYOUT



SPECIFICATIONS:

- Material: Polyester, rated UL 94V-0
- Insulator color: Red
- Contacts: Phosphor Bronze
- Plating: Tin over Copper underplate overall
- Electrical:
 - Voltage rating: 30V AC/DC
 - Current rating: 1A AC/DC
 - Contact resistance: 20 mohms max.
 - Insulation resistance: 1,000 Mohms min.
 - Dielectric withstanding: 500V AC for 1 minute
 - Temperature Rating: Operating temperature: -40°C to +105°C
- Environmental: Lead free, RoHS compliant
- Recommended soldering temp: 235°C for 5 seconds



Positions: 2 thru 13 per row
 A = .100 [2.54] x No. of Spaces + .183 [4.66]
 B = .100 [2.54] x No. of Spaces

UNLESS OTHERWISE SPECIFIED
 ALL DIMENSIONS ARE IN INCHES [MM]
 TOLERANCES: EXCEPT AS NOTED
 INCHES HOLE SIZES
 .X ± .10 ØXX ± .10
 .XX ± .020 ØXXX ± .015
 .XXX ± .015 ØXXXX ± .010

ADAM TECH
 909 Rahway Avenue, Union, NJ 07083
 Phone: 908-687-5000 Fax: 908-687-5710
 TITLE: STRAIGHT, PCB TYPE, TIN PLATED
 .100 [2.54] MIN FLEX CONNECTOR MALE,

DRAWN	DY	3/11/10
CHECKED		
APPROVED		

SIZE	PART NO.	REV.
X	MPH-XX-V-T	
REF:	S00068T	SHEET 1 OF 1