

PLEASE CHECK WWW.MOLEX.COM FOR LATEST PART INFORMATION

Part Number: [0357450110](#)
Status: **Active**
Overview: [versablade](#)
Description: Crimp Terminal 35745, 20-22 AWG

Documents:

Drawing (PDF)	Product Specification PS-35180-003 (PDF)
Product Specification PS-35150-001 (PDF)	Product Specification PS-35524-001 (PDF)
Product Specification PS-35180-002 (PDF)	RoHS Certificate of Compliance (PDF)

General

Product Family	Crimp Terminals
Series	35745
Crimp Quality Equipment	Yes
Overview	versablade
Product Name	VersaBlade™

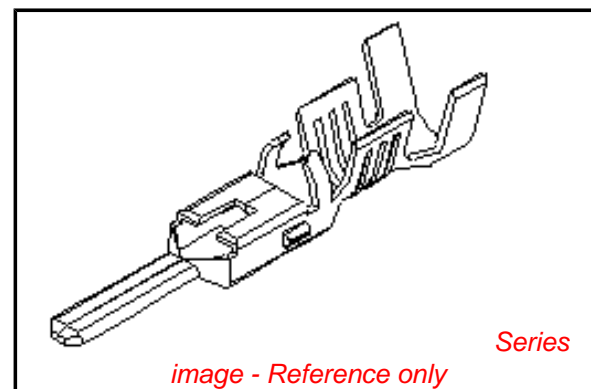
Physical

Gender	Male
Material - Metal	Brass
Material - Plating Mating	Tin
Material - Plating Termination	Tin
Packaging Type	Reel
Plating min: Mating (µin)	32.00
Plating min: Mating (µm)	0.800
Plating min: Termination (µin)	32.00
Plating min: Termination (µm)	0.80
Termination Interface: Style	Crimp or Compression
Wire Insulation Diameter	2.70mm (.106") max.
Wire Size AWG	20, 22
Wire Size mm²	N/A

Material Info

Reference - Drawing Numbers

Product Specification	PS-35150-001, PS-35180-002, PS-35180-003, PS-35524-001
Sales Drawing	SD-35745-001



EU RoHS

**ELV and RoHS
Compliant**
**REACH SVHC
Contains SVHC: No**
**Halogen-Free
Status**

China RoHS



**Need more information on product
environmental compliance?**

Email productcompliance@molex.com
 For a multiple part number RoHS Certificate of
 Compliance, [click here](#)

Please visit the [Contact Us](#) section for any
 non-product compliance questions.

Search Parts in this Series

[35745Series](#)

Mates With

[35748](#) Crimp Terminal

Use With

[35150](#) VersaBlade™ Hybrid Receptacle
 Housing. [35151](#) VersaBlade™ Hybrid Plug
 Housing

Application Tooling | FAQ

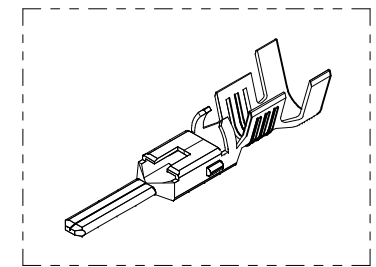
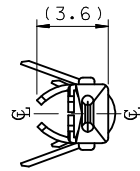
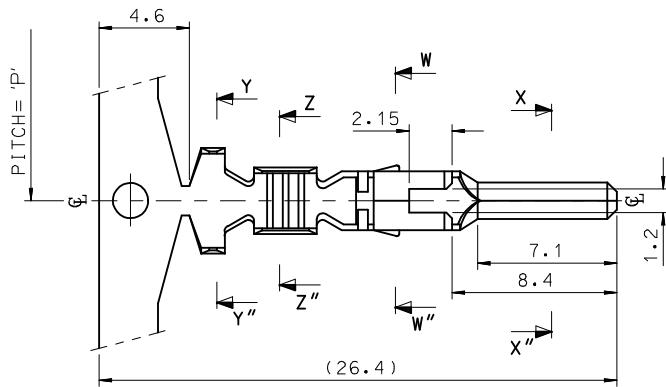
*Tooling specifications and manuals are
 found by selecting the products below.
 Crimp Height Specifications are then
 contained in the Application Tooling
 Specification document.*

Global

Description	Product #
T2 Terminator Die	0638529000
FineAdjust™ Applicator	0638629000

This document was generated on 05/27/2010

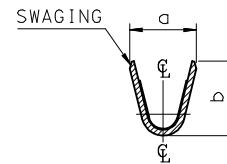
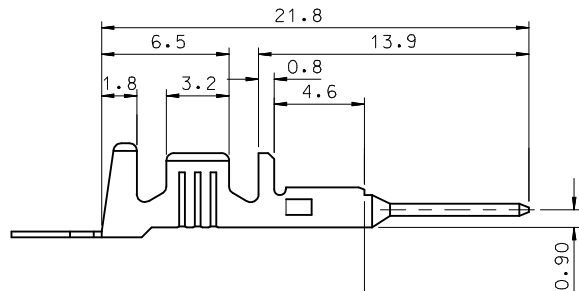
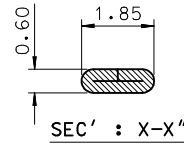
PLEASE CHECK WWW.MOLEX.COM FOR LATEST PART INFORMATION



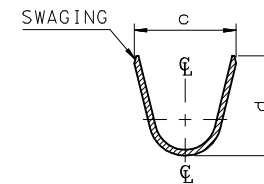
ISOMETRIC VIEW

NOTES.

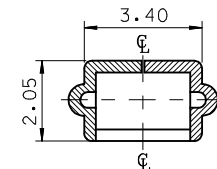
1. MATERIAL : Ⓢ BRASS, PRE-TIN PLATED
2. FINISH : 0.8~1.8 μ m, Tin(Sn) plating overall
0.3~0.8 μ m, Copper(Cu) plating
3. PRODUCT SPECIFICATION : PS-35150-001, PS-35180-002
PS-35180-003, PS-35524-001
4. CRIMPING SPECIFICATION : CS-35745-001
5. RECOMMENDED LENGTH OF WIRE STRIP IS 4.0~4.8mm



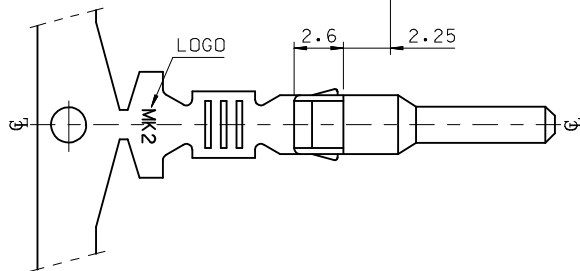
SEC' : X-X''



SEC' : Y-Y''



SEC' : W-W''



MATERIAL NO	ENG. No.	AWG	a	b	c	d	PITCH 'P'
357450210	35745-0210	#18-#14	3.4	3.8	5.2	4.8	12.0
357450110	35745-0110	#22-#20	2.85	2.8	4.2	4.0	10.6
357450410	35745-0410	#24	2.2	1.75	3.85	3.5	10.6

REVISED	EC NO: KOR2009-0151	2009/05/18
	TDRAWN: JHPARK01	2009/06/18
	CHKD: WY. YANG	2009/07/01
	APPR: YUNSIKKIM	2009/07/01
REV	DESCRIPTION	

QUALITY SYMBOLS	$\blacktriangledown=0$		
	$\text{C}=0$		
GENERAL TOLERANCES (UNLESS SPECIFIED)		mm	INCH
	4 PLACES	\pm ---	\pm ---
	3 PLACES	\pm ---	\pm ---
	2 PLACES	\pm 0.2	\pm ---
	1 PLACE	\pm 0.3	\pm ---
	ANGULAR $\pm 1^\circ$		
DRAFT WHERE APPLICABLE MUST REMAIN WITHIN DIMENSIONS			

DIMENSION STYLE		SCALE	DESIGN UNITS	THIRD ANGLE PROJECTION
MM ONLY		4:1	METRIC	Ⓢ
DRAWN BY	DATE	TITLE		
JS.KANG	1998/01/19	.070 MALE TERMINAL (A-TYPE)		
CHECKED BY	DATE			
BK.CHOI	1998/01/19			
APPROVED BY	DATE			
CW.LEE	1998/01/19			
MATERIAL NO.		DOCUMENT NO.		
SEE TABLE		SD-35745-001		
SIZE	THIS DRAWING CONTAINS INFORMATION THAT IS PROPRIETARY TO MOLEX INCORPORATED AND SHOULD NOT BE USED WITHOUT WRITTEN PERMISSION			
A3				

MATERIAL NO.		DOCUMENT NO.		SHEET NO.
SEE TABLE		SD-35745-001		1 OF 01