

PLEASE CHECK WWW.MOLEX.COM FOR LATEST PART INFORMATION

Part Number: [0945504102](#)
Status: **Active**
Overview: [rast 5 connector system](#)
Description: 5.00mm (.197") Pitch, Rast 5, PA Polyamide (Nylon) 6/6, UL 94V-2, 2 Circuits, Natural, Glow Wire Compatible

Documents:

[3D Model](#) [Product Specification PS-94550-001 \(PDF\)](#)
[Drawing \(PDF\)](#) [RoHS Certificate of Compliance \(PDF\)](#)

General

Product Family Crimp Housings
 Series [94550](#)
 Overview [rast 5 connector system](#)
 Product Name RAST 5

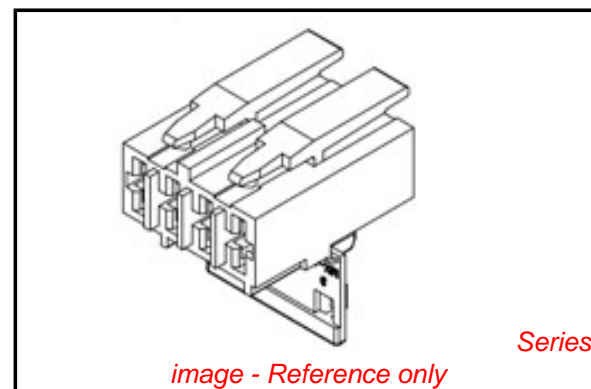
Physical

Breakaway No
 Circuits (maximum) 2
 Color - Resin Natural
 Gender Female
 Glow-Wire Compliant Yes
 Lock to Mating Part Yes
 Material - Resin Nylon
 Number of Rows 1
 Packaging Type Bag
 Panel Mount No
 Pitch - Mating Interface (in) 0.197 In
 Pitch - Mating Interface (mm) 5.00 mm
 Pitch - Term. Interface (in) 0.197 In
 Pitch - Term. Interface (mm) 5.00 mm
 Polarized to Mating Part Yes
 Ports 1
 Stackable No
 Temperature Range - Operating -40°C to +85°C

Material Info

Reference - Drawing Numbers

Product Specification PS-94550-001
 Sales Drawing SD-94550-006
 Test Summary TS-94550-001



EU RoHS

ELV and RoHS Compliant
REACH SVHC Contains SVHC: No
Halogen-Free Status

China RoHS



Need more information on product environmental compliance?

Email productcompliance@molex.com
 For a multiple part number RoHS Certificate of Compliance, [click here](#)

Please visit the [Contact Us](#) section for any non-product compliance questions.

Search Parts in this Series

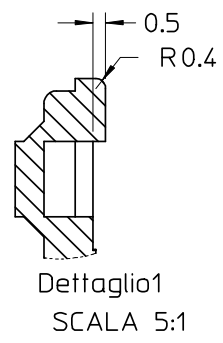
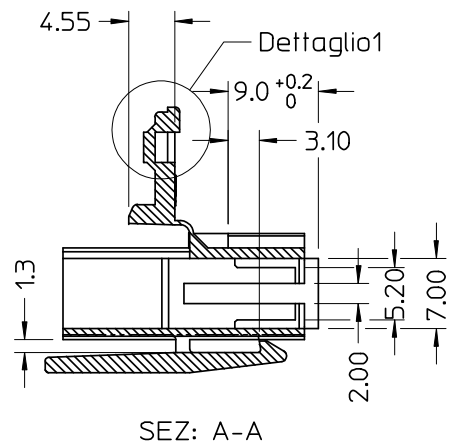
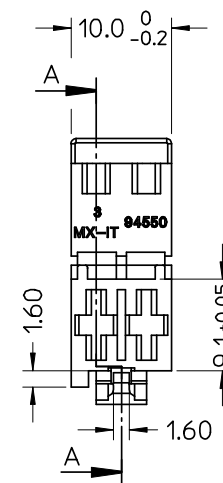
[94550Series](#)

Mates With

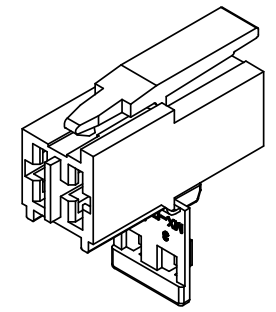
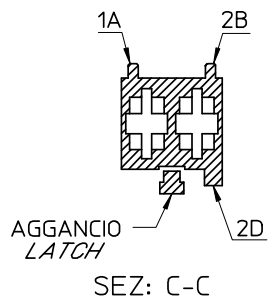
Rast 5 Headers, [90858](#) Vertical Header, [90879](#) Right Angle Header

Use With

[94518](#) Crimp Terminal, [94549](#) Crimp Terminal



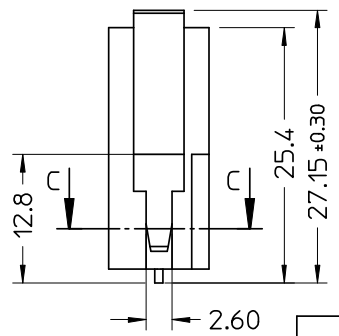
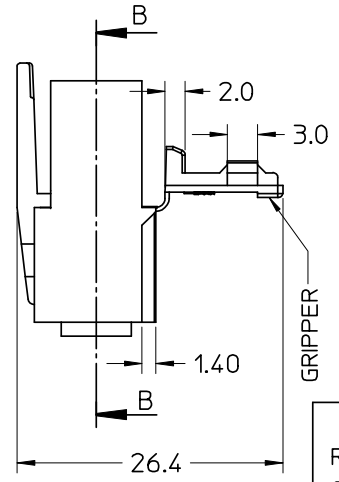
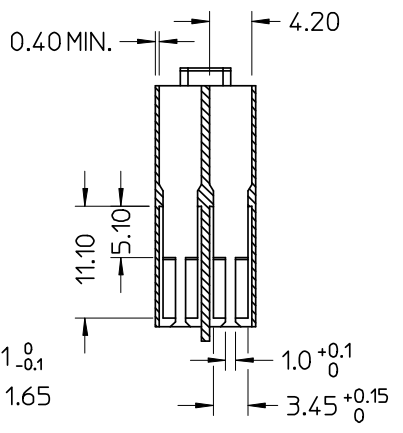
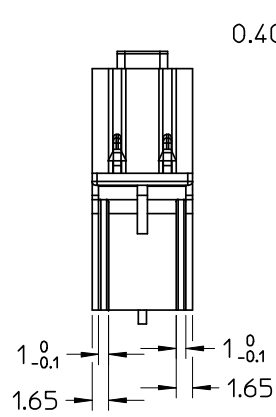
CONFIGURAZIONE POLARIZZAZIONI
POLARIZATION CONFIGURATION



NOTE:
 - USATO CON TERMINALE 94518-0XXX E 94549-0XXX
 - SPECIFICA DI RIFERIMENTO PER IL CONNETTORE PS-94550-001
 - PER CARATTERISTICHE DI CRIMPATURA RIF. SD-94518-005 E SD-94549-001
 - FORZA DI DISACCOPIAMENTO CONNETTORE (TRAZIONANDO DAI CAVI SENZA AZIONARE L'AGGANCIO): 40 N MIN.
 - SPESSORE MINIMO PARETI CONNETTORE 0.40 mm.

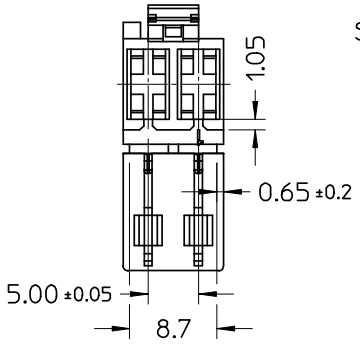
NOTE:
 - USED WITH TERMINALS 94518-0XXX AND 94549-0XXX
 - REFER TO PS-94550-001 FOR CONNECTOR SPECIFICATION
 - REFER TO SD-94518-005 AND SD-94549-001 FOR CRIMPING CHARACTERISTICS
 - CONNECTOR DISENGAGEMENT FORCE (PULLING BY THE WIRES, WITHOUT ACTUATING THE LATCH): 40 N MIN.
 - MINIMUM CONNECTOR WALL THICKNESS 0.40 mm.

CONFEZIONE: Box da 3500 Pz.
 PACKAGING: 3500 pcs in carton box



* AGENCY RECOGNIZATIONS
 CSA (file LR19980)
 UL (file E-29179)

| P/N | MATERIAL/COLOR |
|--------------|--|
| * 94550-9102 | NYLON 6.6 V0 NATURAL |
| 94550-8102 | NYLON 6.6 V2 NATURAL |
| 94550-4102 | NYLON 6.6 GWT 750°C sec.IEC 60335-1 TEST METHOD IEC 60695-2-11 NATURAL |



SEZ: B-B

SPQ = 3500

Std. Descr.: 'HSG W/SEC LOCK AND LATCH 2CKT _____ COLOR'

EC NO: Z2006-0038
 DRWN: FGOTTARD 2005/09/21
 CHKD: RSANDAN 2005/09/21
 APPR: GZUIN 2005/09/21

| QUALITY SYMBOLS | GENERAL TOLERANCES (UNLESS SPECIFIED) | |
|-----------------|---------------------------------------|-------|
| | mm | INCH |
| ▽ = 0 | 4 PLACES ± --- | ± --- |
| | 3 PLACES ± --- | ± --- |
| ▽ = 0 | 2 PLACES ± 0.10 | ± --- |
| | 1 PLACE ± 0.2 | ± --- |
| | ANGULAR ± 2° | |
| | DRAFT WHERE APPLICABLE | |
| | MUST REMAIN WITHIN DIMENSIONS | |

| SCALE | DESIGN UNITS |
|-----------------|--------------|
| 2:1 | METRIC |
| DIMENSION STYLE | |
| MM ONLY | |
| DRAWN BY | DATE |
| FGOTTARD | 2002/06/27 |
| CHECKED BY | DATE |
| MTESTAGU | 2002/06/27 |
| APPROVED BY | DATE |
| GZUIN | 2002/06/27 |

| FIRST ANGLE PROJECTION | REVISE ON CAD ONLY |
|---|--------------------|
| TITLE | |
| HSG 2 CKT WITH SEC.LOCK AND EXTERNAL LATCH | |
| MOLEX INCORPORATED | |
| MATERIAL NO. | DOCUMENT NO. |
| SEE TABLE | SD-94550-006 |
| SHEET NO. | 1 OF 1 |
| THIS DRAWING CONTAINS INFORMATION THAT IS PROPRIETARY TO MOLEX INCORPORATED AND SHOULD NOT BE USED WITHOUT WRITTEN PERMISSION | |