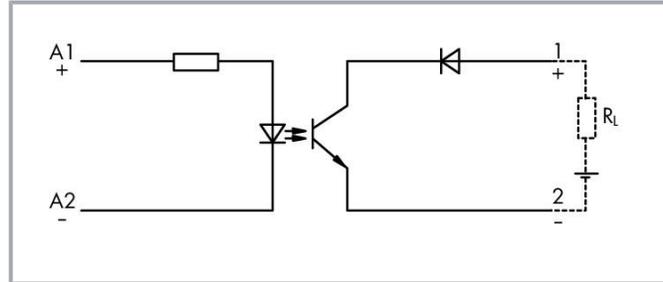
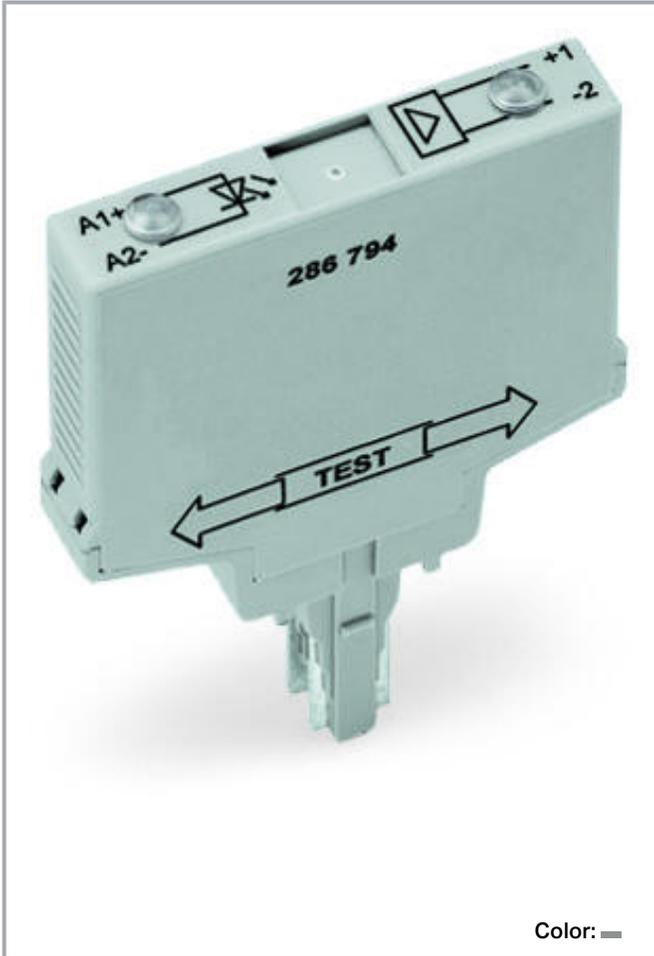


Data sheet | Item number: 286-794

Optocoupler module; Nominal input voltage: 24 VDC; Output voltage range: 20 ... 60 VDC; Limiting continuous current: 0.1 A; 2-wire connection; Red status indicator; Module width: 10 mm; gray

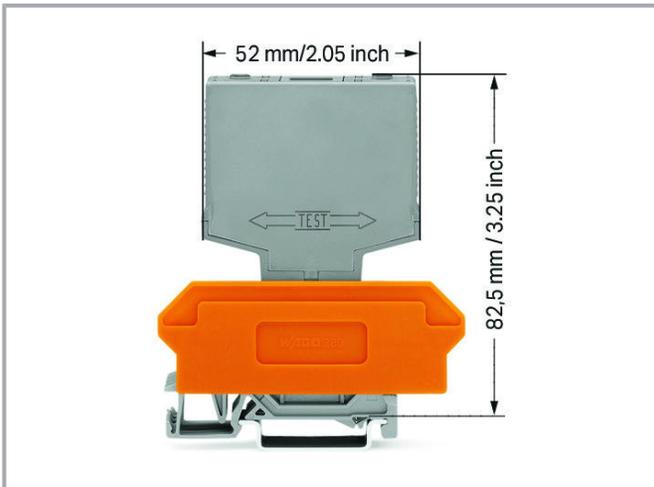
www.wago.com/286-794



Subject to changes. Please also observe the further product documentation!

WAGO GmbH & Co. KG
Hansastr. 27
32423 Minden
Phone: +49571 887-0 | Fax: +49571 887-169
Email: info.de@wago.com | Web: www.wago.com

Do you have any questions about our products?
We are always happy to take your call at +49 (571) 887-44222.



Data

Technical data

Control circuit

Nominal input voltage U_N	DC 24 V
Input voltage range (high level)	DC 18 ... 30 V
Nominal input current at U_N	4 mA

Load circuit

Circuit type	2-wire connection
Limiting continuous current	0.1 A
Output voltage range	DC 20 ... 60 V
Voltage drop at output (max.)	\leq DC 2 V
Leakage current at rated voltage	\leq 2 μ A
Turn-on time	\leq 80 μ s
Turn-off time	\leq 100 μ s
Switching frequency	\leq 1.5 kHz

Safety and protection

Pollution degree	2
Dielectric strength, control/load circuit (AC, 1 min)	2.5 kVrms
Protection type	IP20

Subject to changes. Please also observe the further product documentation!



Physical data

Width	10 mm / 0.394 inch
Height from upper-edge of DIN-rail	82.5 mm / 3.25 inch
Depth	52 mm / 2.047 inch

Mechanical data

Mounting type	Pluggable module for receptacle terminal blocks
---------------	---

Material data

Color	gray
Fire load	7.461 MJ
Weight	16.3 g

Environmental requirements

Surrounding air temperature (operation at U_N)	-25 ... 60 °C
Surrounding air temperature (storage)	-25 ... 40 °C
Processing temperature	-25 ... +50 °C
Relative humidity	5 ... 95 % (no condensation permissible)
Operating altitude (max.)	2000 m

Standards and specifications

Standards/Specifications	EN 60664-1
--------------------------	------------

Commercial data

Product Group	6 (Interface Electronics)
PU (SPU)	25 (1) Stück
Packaging type	box
Country of origin	DE
GTIN	4045454586218
Customs tariff number	85365005000

Optional accessories

Terminal blocks

Terminal block for pluggable modules

Item no.: 280-608

Subject to changes. Please also observe the further product documentation!



Terminal block for pluggable modules; 4-pole; with 4-conductor terminal blocks; with orange separator; www.wago.com/280-608 for DIN-rail 35 x 15 and 35 x 7.5; 2.5 mm²; CAGE CLAMP®; 2,50 mm²; gray



Item no.: 280-618

Terminal block for pluggable modules; 4-pole; with 2-conductor terminal blocks; with orange separator; www.wago.com/280-618 for DIN-rail 35 x 15 and 35 x 7.5; 2.5 mm²; CAGE CLAMP®; 2,50 mm²; gray



Item no.: 280-762

Terminal block for pluggable modules; 4-pole; with 4-conductor terminal blocks; with marker carrier; www.wago.com/280-762 with orange separator; for DIN-rail 35 x 15 and 35 x 7.5; 2.5 mm²; CAGE CLAMP®; 2,50 mm²; gray

Marking accessories

Marker



Item no.: 209-701

WSB marking card; as card; not stretchable; plain; snap-on type; white

www.wago.com/209-701

Downloads

Documentation

Bid Text

286-794 docx - Datei	2019. 2. 20.	docx 15.7 kB	Download
286-794 X81 - Datei	2019. 2. 19.	xml 3.8 kB	Download

Instruction Leaflet

pdf
1.3 MB
Download

Additional Information

Disposal; Electrical and electronic equipment, Packaging	V 1.0.0	pdf 265.8 kB	Download
--	---------	-----------------	----------

CAD/CAE-Data

CAD data

2D/3D Models 286-794	URL	Download
----------------------	-----	----------

CAE data

WSCAD Universe 286-794	URL	Download
------------------------	-----	----------

Subject to changes. Please also observe the further product documentation!

WAGO GmbH & Co. KG
Hansastr. 27
32423 Minden
Phone: +49571 887-0 | Fax: +49571 887-169
Email: info.de@wago.com | Web: www.wago.com

Do you have any questions about our products?
We are always happy to take your call at +49 (571) 887-44222.

Environmental Product Compliance

Compliance Search

Environmental Product Compliance 286-794

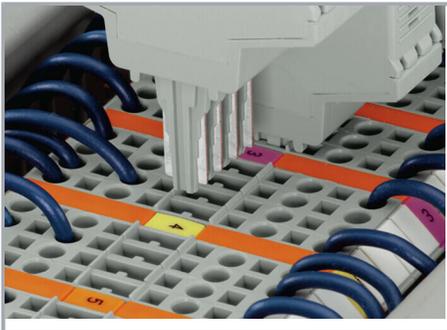
[URL](#)

[Download](#)

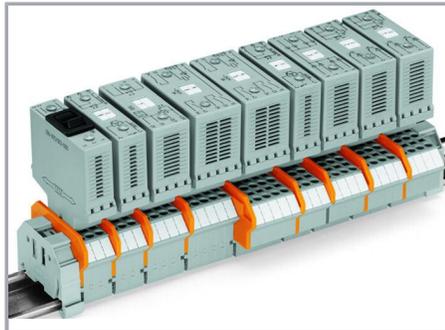
Optocoupler module; Nominal input voltage: 24 VDC; Output voltage range: 20 ... 60 VDC; Limiting continuous current: 0.1 A; 2-wire connection; Red status indicator; Module width: 10 mm; gray

Installation Notes

Assembly



Coding ensures correct polarity.



Pluggable electronic modules on 2- or 4-conductor carrier terminal blocks

Marking



Marking via WMB Multi Marking System.

Testing

Subject to changes. Please also observe the further product documentation!



Function testing via touch-proof test slots

Subject to changes. Please also observe the further product documentation!