

# Customer Information Sheet

DRAWING No.: M83-LML3M7NXX-0000-000

SHEET 2 OF 2

IF IN DOUBT - ASK

©

NOT TO SCALE

THIRD ANGLE PROJECTION

ALL DIMENSIONS IN mm

**SPECIFICATIONS:**

**MATERIAL:**  
 MOULDING = GLASS-FILLED PPS,  
 UL94V-0, BLACK  
 JACKSCREW = STAINLESS STEEL  
 SIGNAL CONTACT = PHOSPHOR BRONZE

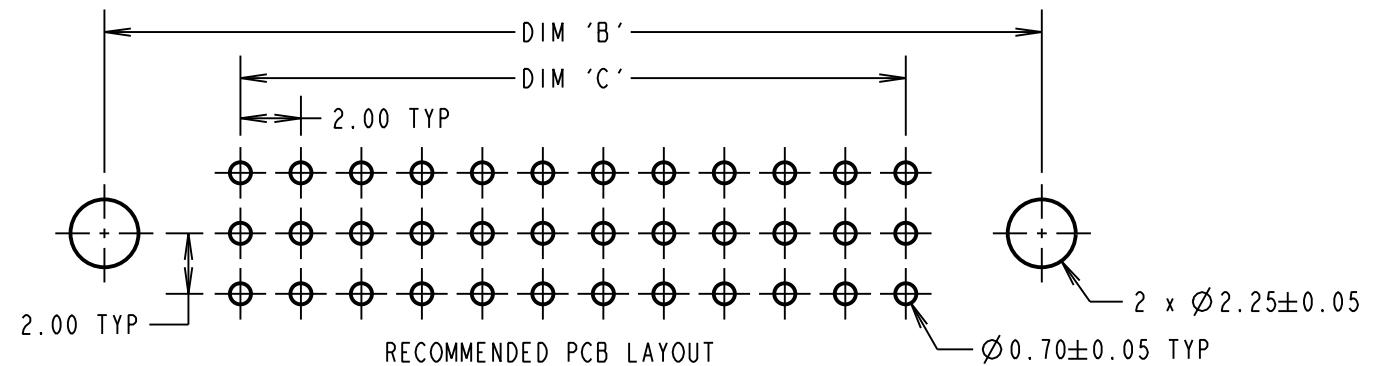
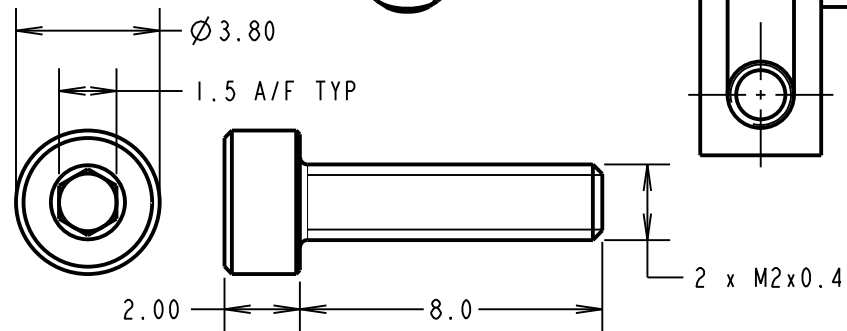
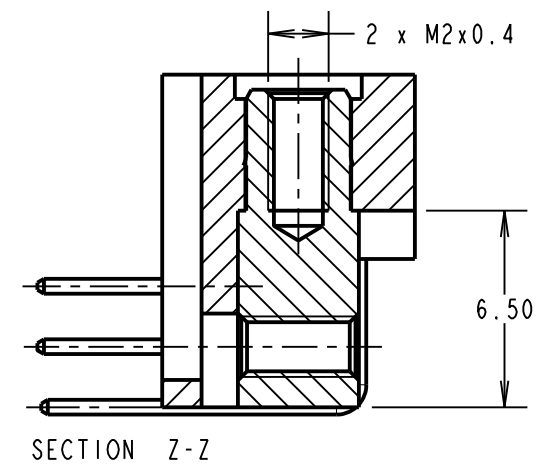
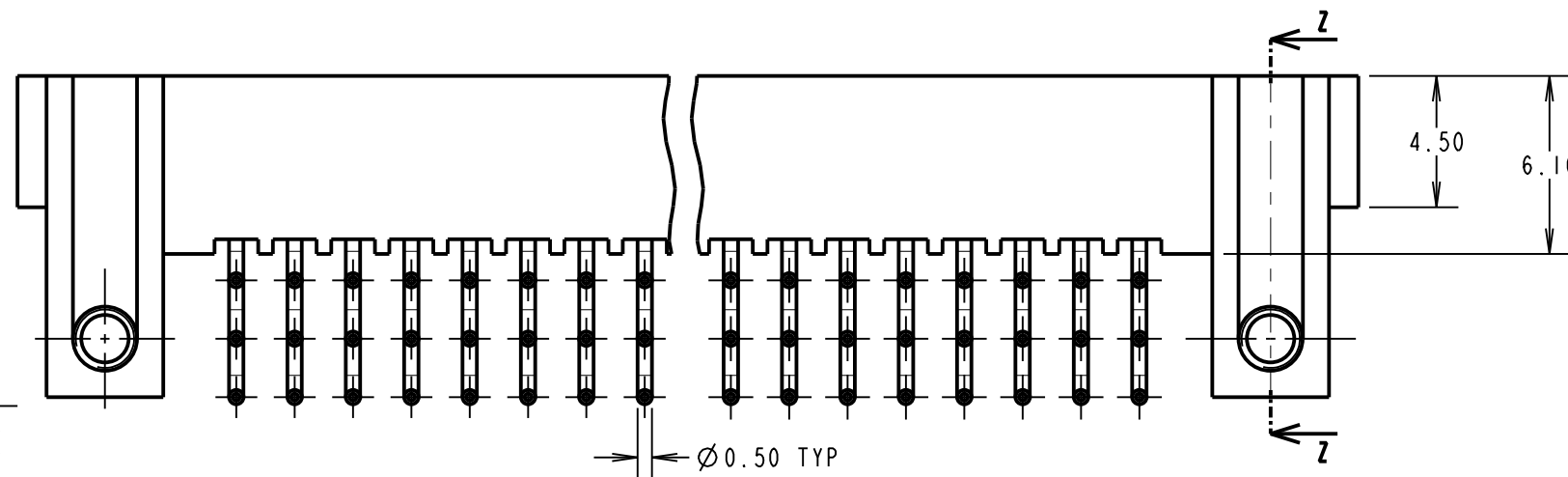
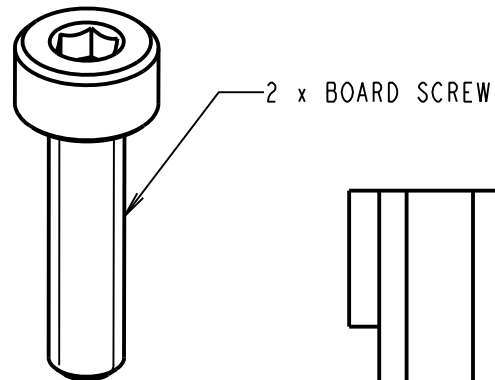
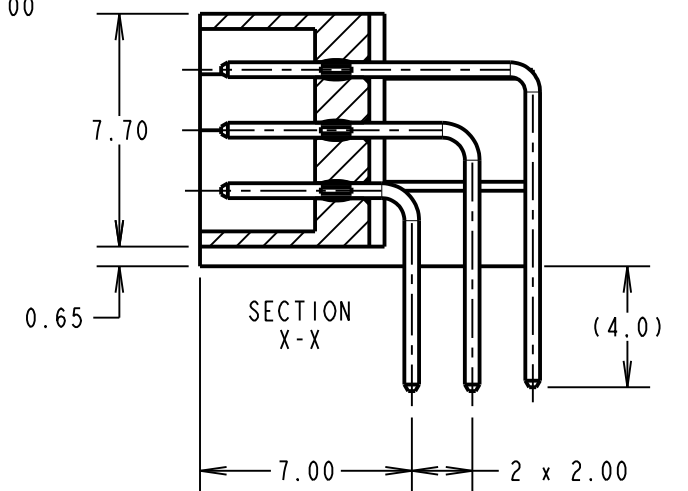
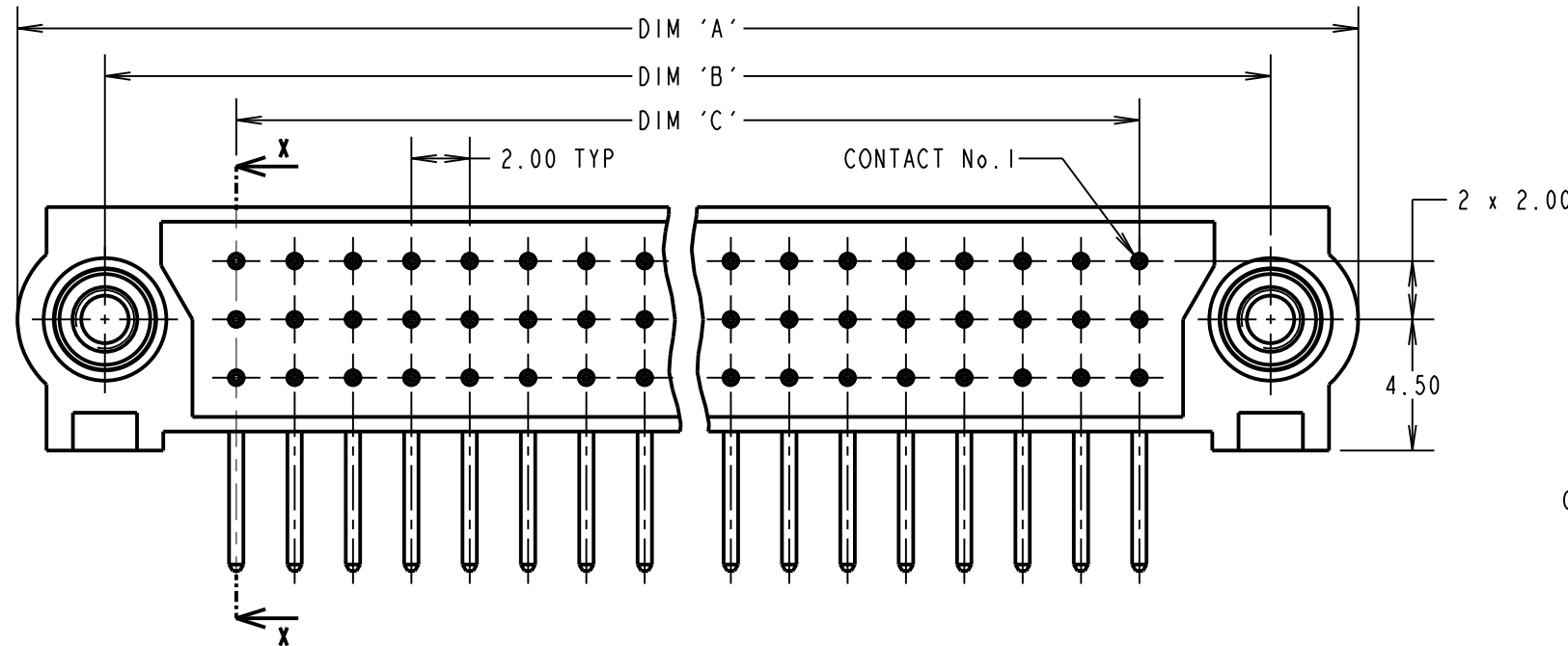
**FINISH:**  
 SIGNAL CONTACT = 0.75µm GOLD

**ELECTRICAL:**  
 CURRENT RATING AT 25°C = 3.0A MAX  
 CURRENT RATING AT 85°C = 2.2A MAX  
 WORKING VOLTAGE = 800V AC/DC  
 VOLTAGE PROOF = 1200V AC/DC  
 CONTACT RESISTANCE = 25mΩ MAX  
 INSULATION RESISTANCE = 100 MΩ MIN

**MECHANICAL:**  
 DURABILITY = 500 OPERATIONS

**ENVIRONMENTAL:**  
 TEMPERATURE RANGE = -55°C TO +125°C

**PACKING:**  
 TRAY  
 BOARD SCREWS PACKED IN SEPERATE BAG  
 FOR COMPLETE SPECIFICATION, SEE  
 COMPONENT SPECIFICATION C005XX  
 (LATEST ISSUE)



ORDER CODE:  
**M83-LML3M7NXX-0000-000**

TOTAL No. OF CONTACTS  
 18, 27, 36, 48, 54, 60, 96

MGP	4	14.08.18	21397
NAME	ISS.	DATE	C/NOTE
APPROVED: MGP			
CHECKED: FM			
DRAWN: S. MCCULLAGH			
CUSTOMER REF.:			
ASSEMBLY DRG:			

DIMENSION	CALCULATION
DIM 'A'	((TOTAL No. OF CONTACTS / 3) x 2) + 13.0
DIM 'B'	((TOTAL No. OF CONTACTS / 3) x 2) + 7.00
DIM 'C'	((TOTAL No. OF CONTACTS / 3) x 2) - 2.00
EXAMPLE: CONNECTOR WITH 27 CONTACTS, M83-LML3M7N27-0000-000 DIM 'A' = 31.0, DIM 'B' = 25.00, DIM 'C' = 16.00	

**HARWIN**  
 www.harwin.com  
 technical@harwin.com

THIS DRAWING AND ANY INFORMATION OR DESCRIPTIVE MATTER SET OUT HEREON ARE CONFIDENTIAL AND COPYRIGHT PROPERTY OF THE HARWIN GROUP AND MUST NOT BE DISCLOSED, LOANED, COPIED OR USED FOR MANUFACTURING, TENDERING OR FOR ANY OTHER PURPOSE WITHOUT THEIR WRITTEN PERMISSION.

**TOLERANCES**  
 X. = ±1mm  
 X.X = ±0.50mm  
 X.XX = ±0.10mm  
 X.XXX = ±0.01mm  
 ANGLES = ±5°  
 UNLESS STATED

**MATERIAL:**  
 SEE ABOVE

**FINISH:**  
 SEE ABOVE

**S/AREA:**  
 mm<sup>2</sup>

**TITLE:** JACKSCREW DATAMATE  
 3-ROW MALE HORIZONTAL  
 PC-TAIL ASSEMBLY

**DRAWING NUMBER:**  
**M83-LML3M7NXX-0000-000**

SHT 2 OF 2