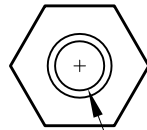
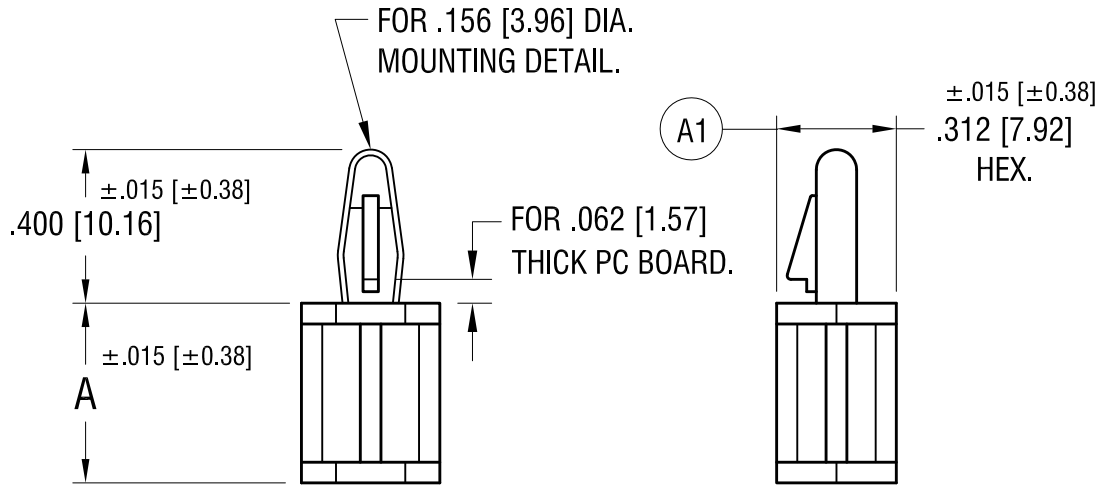


THIS DOCUMENT IS THE PROPERTY OF KEYSTONE ELECTRONICS CORP. AND SHALL NOT BE REPRODUCED, DISTRIBUTED OR USED AS A BASIS FOR MANUFACTURE WITHOUT PRIOR WRITTEN PERMISSION FROM KEYSTONE ELECTRONICS CORP.

ACTUAL SIZE P/N 9044



FOR NO. 6 SELF-TAPPING SCREW (TYPE B), FOR HOLE DEPTH SEE CHART

PART NO.	'A' DIM.	HOLE DEPTH
9041	.250 [6.35]	.203 [5.16] REF.
9042	.375 [9.52]	.312 [7.92] REF.
9043	.500 [12.70]	
9044	.625 [15.87]	
9045	.750 [19.05]	
9046	.875 [22.22]	
9047	1.000 [25.40]	

KEYSTONE ELECTRONICS CORP.

www.keyelco.com • NEW HYDE PARK, NY 11040 • Tel (516) 328-7500

PART NAME		FEMALE SUPPORT	
MATERIAL		NYLON 94V-0, NATURAL COLOR	
FINISH	NONE	DRN BY	NT
		DATE	8.29.06
		APP'D	RH
		SCALE	2X
TOLERANCES	INCH [MM]	CODE	DWG NO.
DECIMAL	±.005 [±0.13]	C	9041 -9047
ANGULAR	± 1°		
UNLESS OTHERWISE SPECIFIED			

10.25.19	ECR 19-081, A1 WAS .312±.005	A
DATE	DESCRIPTION	REV.