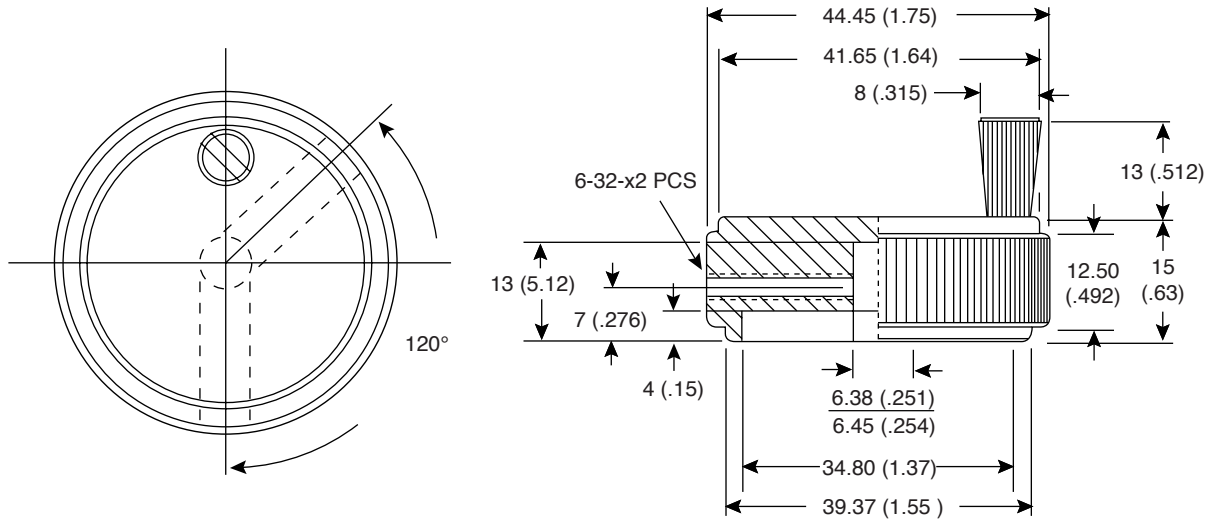


Date Last Revised: 6/30/06



Dimensions: mm (In.)

SPECIFICATIONS	
Material:	Solid Aluminum
Finish:	Spin
Tolerance:	ø.50-4; ø4.10-16 ± .20mm; ø16.10-64 ± .30mm
Color:	Black