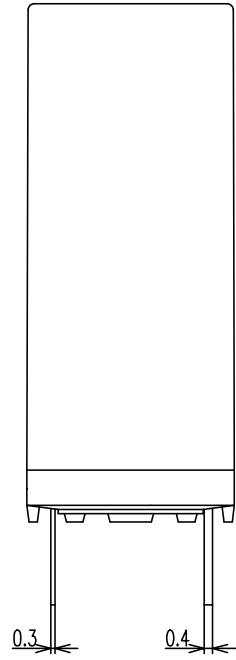
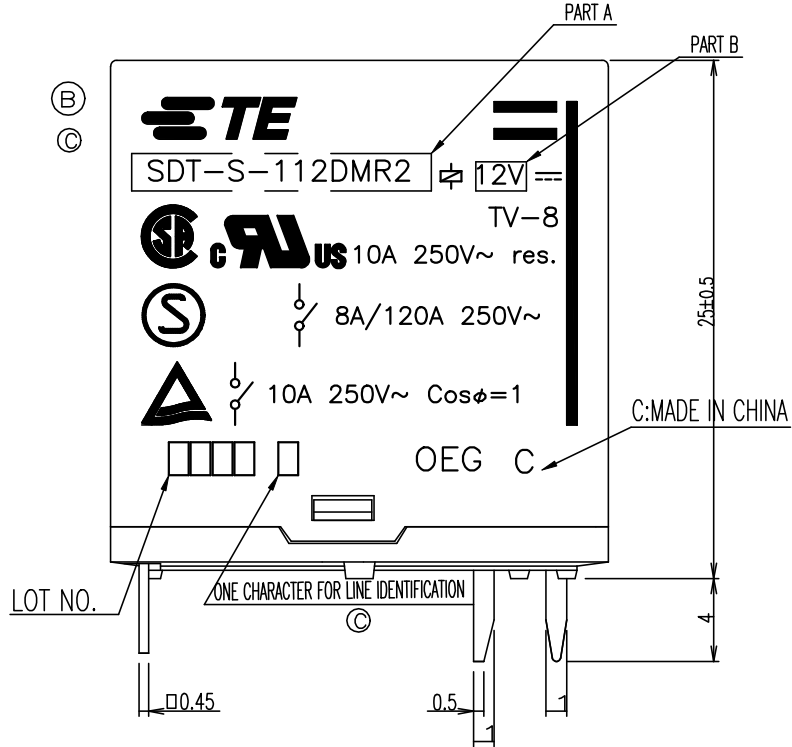
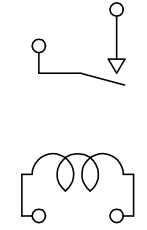


THIS DRAWING IS UNPUBLISHED. RELEASED FOR PUBLICATION
 © COPYRIGHT - By TE Connectivity ALL RIGHTS RESERVED.

LOC	DIST	REVISIONS					
P	LTR	DESCRIPTION	DATE	DWN	APVD		
HB	-	B	CHANGE TE LOGO&DATE CODE	ECO-08-007869	18-APR-08	CY.Z	BHLY
		C	1.CHANGE TE LOGO2.ADD LINE IDENTIFICATION3.TERMINALS TOLERANCE CLARIFICATION	ECO-12-005305	03-APR-12	YS.H	BHLY
		D	CHANGE RAW MATERIAL OF CARD	ECO-19-012552	14-AUG-19	TOD	K.T



CONNECTION DIAGRAM



DRILLING DIAGRAM (2/1)
(BOTTOM VIEW)

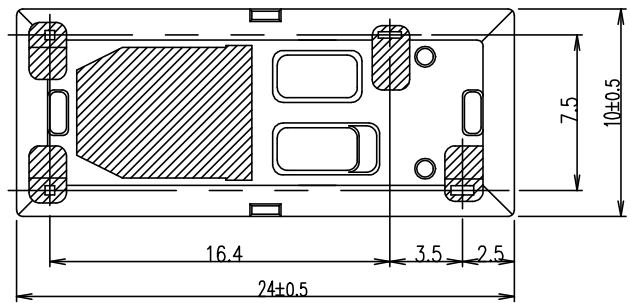
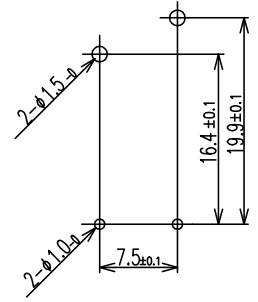


Diagram dimension	Tolerance
max. 1mm	±0.1mm
1 - 3mm	±0.2mm
min. 3mm	±0.3mm

THIS DRAWING IS A CONTROLLED DOCUMENT.		DWN H.SASAKI		
		CHK N.FUNAYAMA		
DIMENSIONS: mm		APVD A.NAGAI	NAME SDT-DMR2 CUSTOMER DRAWING	
TOLERANCES UNLESS OTHERWISE SPECIFIED:		PRODUCT SPEC		
0 PLC ± -		APPLICATION SPEC		
1 PLC ± -		WEIGHT		
2 PLC ± -		MATERIAL		
3 PLC ± -		FINISH		
4 PLC ± -				
ANGLES ± -				
		CUSTOMER DRAWING	SIZE A3	CAGE CODE 00779
			DRAWING NO C=9-1440002-9	RESTRICTED TO
			SCALE 4:1	SHEET 1 of 2
				REV D

THIS DRAWING IS UNPUBLISHED.

RELEASED FOR PUBLICATION

-. - .

© COPYRIGHT - By TE Connectivity

ALL RIGHTS RESERVED.

LOC	DIST	REVISIONS					
HB	-	P	LTR	DESCRIPTION	DATE	DWN	APVD
		-	-	SEE SHEET 1	-	-	-

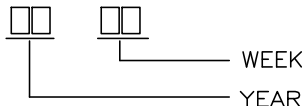
1440003-1	SDT-S-124DMR2	24V	SDT-S-124DMR2	d
9-1440002-8	SDT-S-109DMR2	9V	SDT-S-109DMR2	c
8-1419125-4	SDT-S-106DMR2	6V	SDT-S-106DMR2	b
9-1440002-6	SDT-S-105DMR2	5V	SDT-S-105DMR2	a
TE PART NO	TE TYPE NAME	PART B	PART A	TYPE

RELAY TYPE

UL-94V-0		PPS (D)	CARD	14
		EPOXY RESIN	RESIN	13
		VEW	MAGNETIC WIRE	12
UL-94V-0		PBT	BOBBIN	11
	SOLDER DIP	CP WIRE	COIL TERMINAL	10
UL-94V-0		PBT	CASE	9
		Ag ALLOY	STATIONARY CONTACT	8
		Ag ALLOY	MOVABLE CONTACT	7
		Cu ALLOY	HINGE SPRING	6
	SOLDER DIP	Cu ALLOY	STATIONARY TERMINAL	5
	SOLDER DIP	Cu ALLOY	MOVABLE SPRING	4
		STEEL	CORE	3
		STEEL	ARMATURE	2
		STEEL	YOKE	1
INCOMBUSTIBILITY	TREATMENT	MATERIAL	DESCRIPTION	ITEM

NOTE:

(B) 1.LOT NO. SYSTEM AS FOLLOWING:



(C) 2.TERMINAL DIMENSIONS BEFORE SOLDER DIP

(C) 3.FOR THE TIN-PLATING OF THE PINS: +0.1mm FOR WIDTH, THICKNESS AND DIAMETER
+0.5mm FOR LENGTH

THIS DRAWING IS A CONTROLLED DOCUMENT.		DWN H.SASAKI			
DIMENSIONS: mm		CHK N.FUNAYAMA			
TOLERANCES UNLESS OTHERWISE SPECIFIED:		APVD A.NAGAI	NAME		
0 PLC ± -		PRODUCT SPEC	SDT-DMR2 CUSTOMER DRAWING		
1 PLC ± -		APPLICATION SPEC	SIZE	CAGE CODE	DRAWING NO
2 PLC ± -		WEIGHT	A3	00779	C=9-1440002-9
3 PLC ± -		CUSTOMER DRAWING	SCALE	SHEET	REV
4 PLC ± -			4:1	2 OF 2	D
ANGLES ± -					
MATERIAL	FINISH				