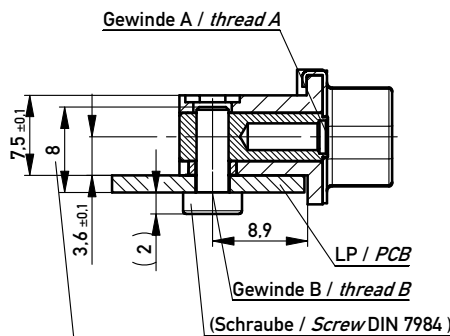
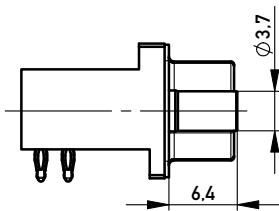
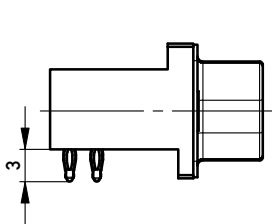


Mutter / nut

Bolzen / bolt

Anwendungsbeispiel / example of use

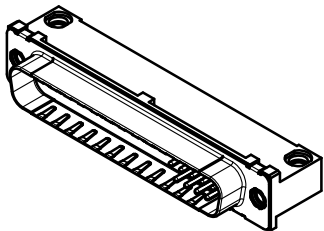


Beschriftung nach Bedruckungsvorschrift 174538  
Part marking according to specification 174538

Anschlussbereich verzinkt  
terminal area tin plating

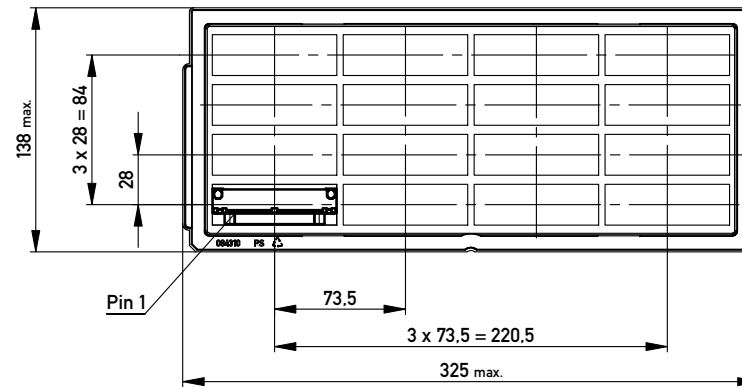
Anforderungsstufe: 2  
class: 2

			#4-40	M3	
			M3	#4-40	
284499			#4-40	#4-40	
			M3	M3	
	#4-40	M3			
	M3	#4-40			
284498	#4-40	#4-40			
284497	M3	M3			
	Gewinde A thread A	Gewinde B thread B	Gewinde A thread A	Gewinde B thread B	
Ident-Nr. part-no. Tray / tray	Quermutter nut	Querbolzen bolt	Bemerkung remark		



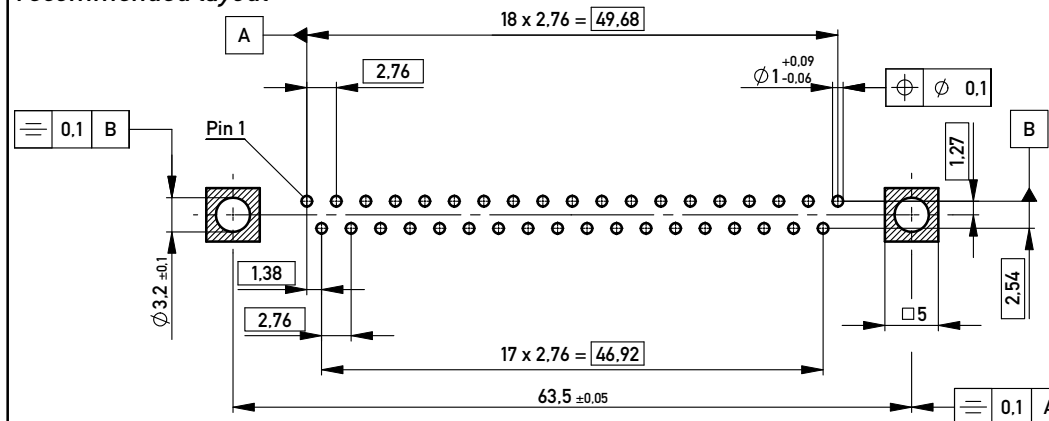
Verpackt in Tray  
Verpackungseinheit 16 Stck

tray packaging  
packaging unit 16 pcs



Sonstige Angaben siehe Zeichnung 204630 / Additional indications according to drawing 204630

Layoutvorschlag  
recommended layout



Sonstige Angaben siehe 164062 / additional indications according to 164062

Fehlende Masse und Angaben siehe DIN 41652 / Missing information and dimensions according to DIN 41652  
Sonstige Angaben siehe Fertigungsunterlagen / Additional indications according to production documentation

Information:	Tolerances	Scale 2:1	Designation	
All rights reserved. Only for Information. To ensure that this is the latest version of this drawing, please contact one of the ERNI companies before using.	Subject to modification without prior notice. Drawing will not be updated.	All Dimensions in mm	TMC-P-37-EE-SV-Euro-BA8-ZV	
			TMC-P-37-EE-SV-Euro-BA8-ZV	
www.ERNI.com		224952		1
A	23.02.2010	Class		A3
Index	Date	TMCP		

Copyright by ERNI GmbH  
Proprietary notice pursuant to ISO 16016 to be observed.