

DIN 48X48 FREE POWER ON DELAY TIMER/FLICKER



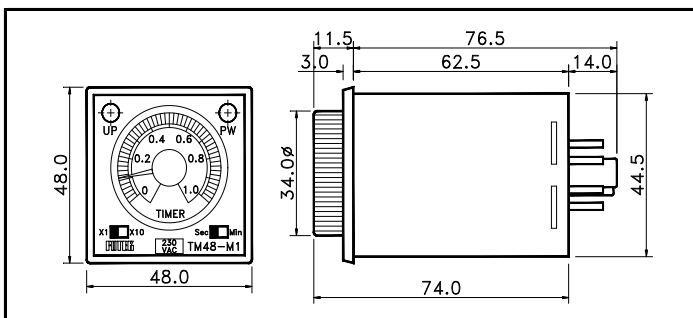
TM48 series

Type	Multi-Range ON Delay Timer	Multi-Range Flicker
Model	TM48-M □	TM48-FK-M3
Figure		
Range	M1 : 1S/10S/1M/10M M3 : 3S/30S/3M/30M M6 : 6S/60S/6M/60M M1H : 1M/10M/1H/10H M3H : 3M/30M/3H/30H M6H : 6M/60M/6H/60H	3S/30S/3M/30M
Weight	145g	135g

Specification

Power Supply	24 ~ 250 VAC/DC 50/60Hz
Wattage Consump.	3VA max.
Control Output	Relay
Contact Rated	10A
Repetivity	0.2% of F.S max.
Setting Accuracy	5% of F.S max.
Reset Time	0.1S max.
Insulation Strength	100M Ω /500VDC
Dielectric Strength	2.5KV/1 min.
Circumstance	-20° ~ +60 °C , 35~85%RH
Life of Relay	20 X 10 ⁶ Times

Dimension



Connection & Timing Diagram

