



SOP-8



Pin Definition:

1. Input
2. SW Output
3. Feedback
4. Enable
5. 6. 7. 8. Ground

General Description

TS2596S Series are step-down switching regulators with all required active functions. It is capable of driving 2A load with excellent line and load regulations. These devices are available in fixed output voltages of 3.3V, 5V, and an adjustable output version.

TS2596S series operates at a switching frequency of 150kHz thus allowing smaller sized filter components than what would be needed with lower frequency switching regulators. It substantially not only reduces the area of board size but also the size of heat sink, and in some cases no heat sink is required. The $\pm 4\%$ tolerance on output voltage within specified input voltages and output load conditions is guaranteed. Also, the oscillator frequency accuracy is within $\pm 10\%$. External shutdown is included. Featuring 70 μ A (typical) standby current. The output switch includes cycle-by-cycle current limiting, as well as thermal shutdown for full protection under fault conditions.

Features

- Output Voltage: 3.3V, 5V & Adjustable version
- Adjustable Output Voltage Range 1.23V~19.5V $\pm 4\%$
- 150KHz $\pm 15\%$ fixed switching frequency
- Voltage Mode Non-synchronous PWM control
- Thermal Shutdown and Current Limit Protection
- ON/OFF Shutdown Control Input
- Soft-start (SS) Function
- Short Circuit Protect (SCP)
- Operating Voltage Can be up to 24V
- Output Load Current 2A
- Low Power Standby Mode

Ordering Information

Part No.	Package	Packing
TS2596SCS \underline{xx} RL	SOP-8	2.5Kpcs / 13" Reel

Note: Where \underline{xx} denotes voltage option, available are

50= 5.0V

33= 3.3V

Leave blank for adjustable version

Application

- Simple High-efficiency Step down Regulator
- On-Card Switching Regulators

Absolute Maximum Rating

Parameter	Symbol	Limit	Unit
Supply Voltage	V_{CC}	+28	V
Operating Voltage Range	V_{OP}	+4.5 to +24	V
SW, EN Pin Input Voltage	V_{SW}, V_{EN}	-0.3 to V_{CC}	V
Feedback Pin Voltage	V_{FB}	-0.3 to V_{CC}	V
Power Dissipation	P_D	Internally Limited	W
Output Voltage to Ground	V_{OUT}	-1	V
Storage Temperature Range	T_{ST}	-65 to +150	$^{\circ}$ C
Operating Temperature Range	T_{OP}	-40 to +125	$^{\circ}$ C

Thermal Information

Parameter	Symbol	Maximum	Unit
Thermal Resistance* (Junction to Case)	Θ_{JC}	15	$^{\circ}\text{C/W}$
Thermal Resistance* (Junction to Ambient)	Θ_{JA}	70	$^{\circ}\text{C/W}$

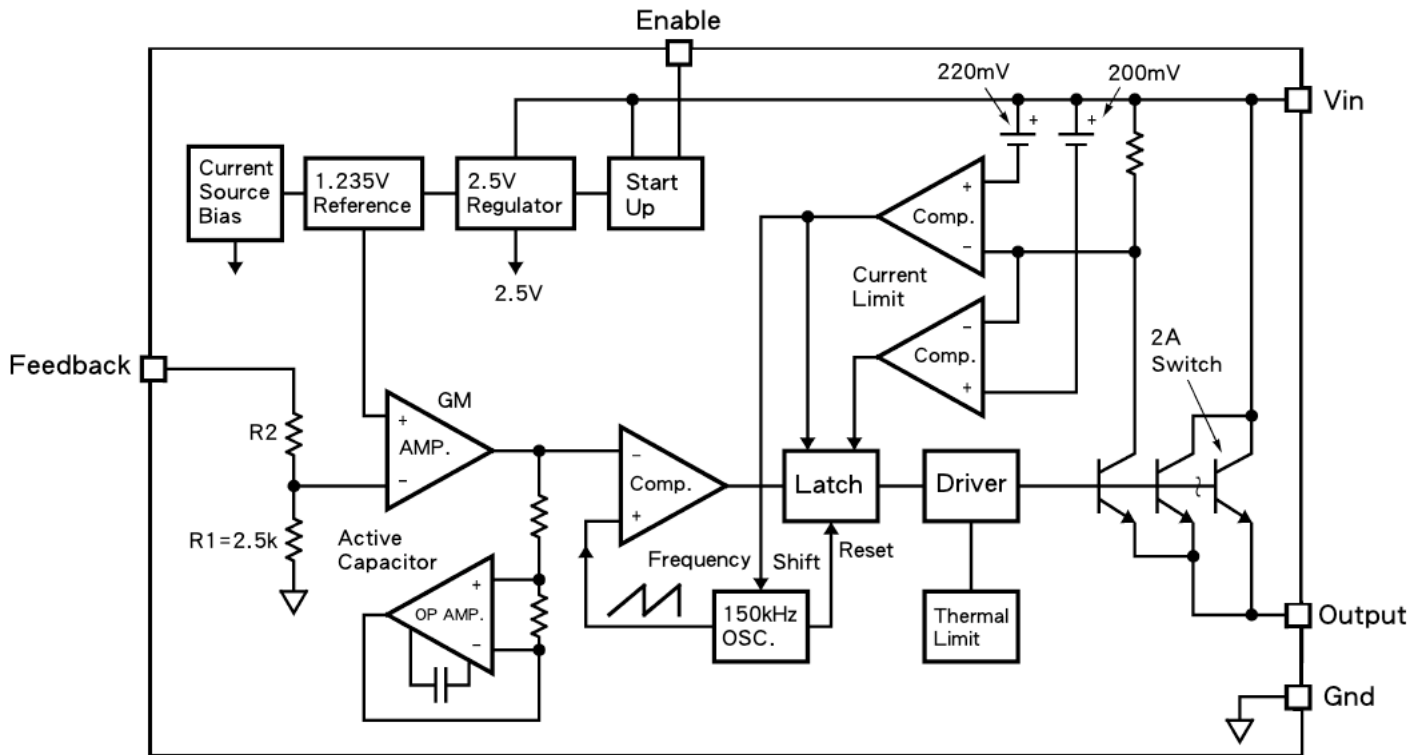
Note: Θ_{JA} is measured with the PCB copper area (need connect to GROUND pins) of approximately 1.5 in² (Multi-layer)

Electrical Specifications (All Output Voltage Version)

($T_a = 25^{\circ}\text{C}$ unless otherwise noted, $V_{IN} = 12\text{V}$ for 3.3V, 5V, Adj version. $I_{LOAD} = 0.2\text{A}$)

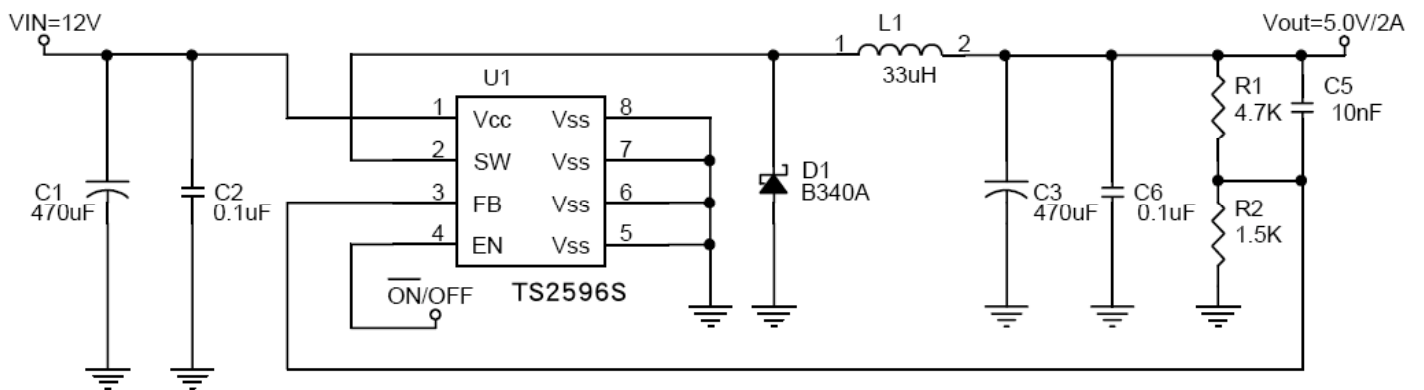
Parameter	Symbol	Test Condition	Min	Typ	Max	Unit
Output Feedback	ADJ	$4.5\text{V} \leq V_{IN} \leq 24\text{V}$ $0.2\text{A} \leq I_{LOAD} \leq 2\text{A}$	1.193	1.23	1.267	V
Efficiency			1.180		--	
Output Feedback	3.3V	$4.75\text{V} \leq V_{IN} \leq 24\text{V}$ $0.2\text{A} \leq I_{LOAD} \leq 2\text{A}$	3.168	3.3V	3.432	V
Efficiency			3.135		--	
Output Feedback	5V	$7\text{V} \leq V_{IN} \leq 24\text{V}$ $0.2\text{A} \leq I_{LOAD} \leq 2\text{A}$	4..80	5	5.20	V
Efficiency			4.75		--	
Feedback Bias Current	I_{FB}	$V_{FB} = 1.3\text{V}$ (Adj version only)	--	-10	-100	nA
Oscillator Frequency	F_{OSC}		127	150	173	KHz
Soft-Start Time	T_{SS}	Rising edge of EN on to I_{CL}	--	3	--	mS
Current Limit	I_{CL}	Peak Current, no outside circuit $V_{FB} = 0\text{V}$ force driver on	2.4	--	--	A
Oscillator Frequency of Short Circuit Protect	F_{SCP}	When current limit occurred and $V_{FB} < 0.5\text{V}$, $T_a = 25^{\circ}\text{C}$	--	60	--	KHz
Saturation Voltage	V_{SAT}	$I_{OUT} = 2\text{A}$, No outside circuit $V_{FB} = 0\text{V}$ force driver on	--	1.15	1.50	V
ON/OFF Pin Logic Input Threshold Voltage	V_{IL}	Low (regulator ON)	--	1.3	0.6	V
	V_{IH}	High (regulator OFF)	2.0		--	
ON/OFF Pin Logic Input Current	I_L	$V_{LOGIC} = 2.5\text{V}$ (OFF)	--	-0.1	-0.5	μA
	I_H	$V_{LOGIC} = 0.5\text{V}$ (ON)	--	--	-0.01	
Maximum Duty Cycle (ON)	DC	$V_{FB} = 0\text{V}$ force driver on	--	100	--	%
Maximum Duty Cycle (OFF)		$V_{FB} = 12\text{V}$ force driver off	--	0	--	
Quiescent Current	I_Q	$V_{FB} = 12\text{V}$ force driver off	--	4	8	mA
Standby Quiescent Current	I_{STBY}	ON/OFF pin=5V	--	45	100	μA
		$V_{IN} = 24\text{V}$	--		100	
SW Pin Leakage Current	SW pin = 0	No outside circuit, $V_{FB} = 12\text{V}$ force driver off	--	--	-200	μA
	SW pin = -1		$V_{IN} = 24\text{V}$	--	-5	mA

Block Diagram



Typical Application Circuit

1. Adjustable Output Voltage Version



$$V_{out} = V_{FB} \times \left(1 + \frac{R1}{R2}\right)$$

$$V_{FB} = 1.23V$$

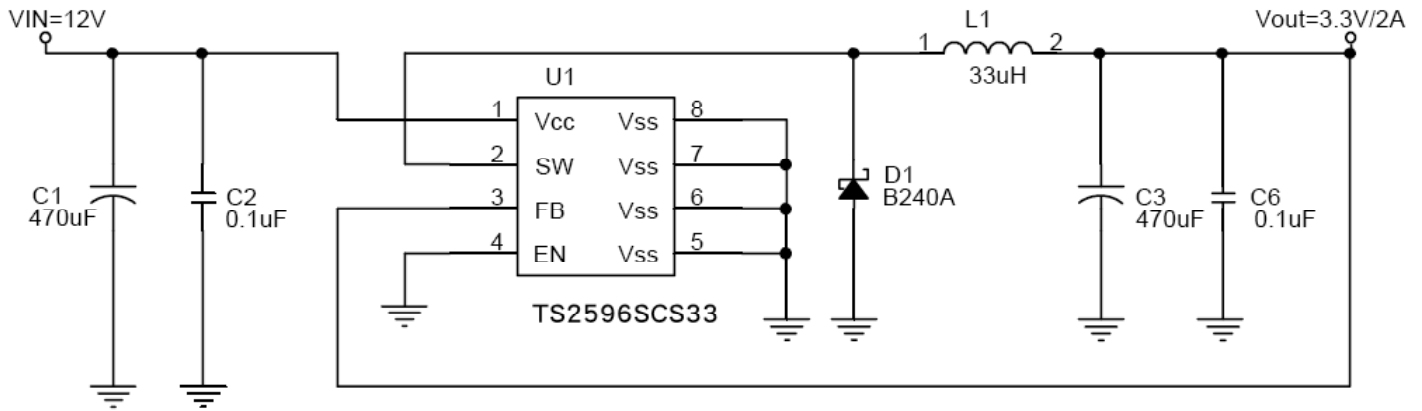
$$R2 = 0.47K \sim 2.6K$$

Resistor select for output voltage setting

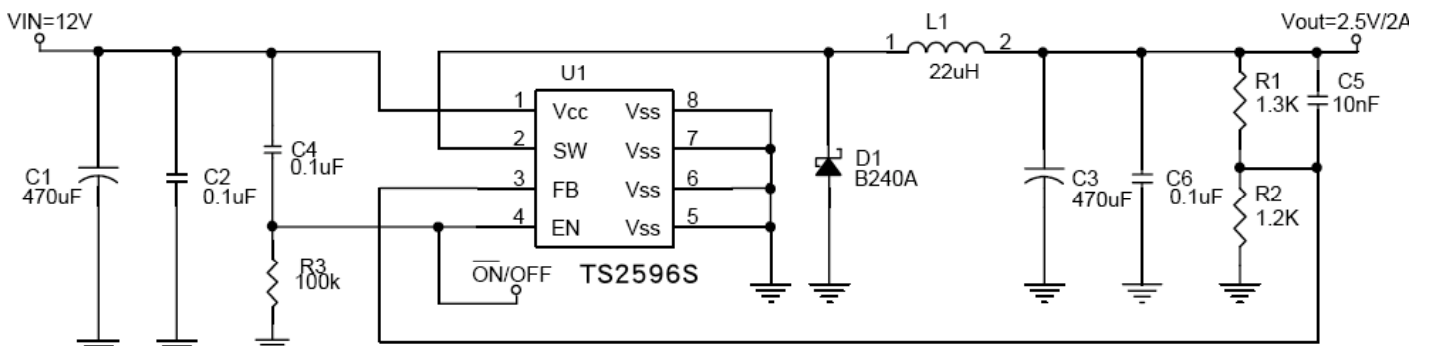
Vout	R1	R2
5V	4.7K	1.5K
	5.6K	1.8K
3.3V	2.5K	1.5K
	3.0K	1.8K
2.5V	1.8K	1.8K
1.8V	0.82K	1.8K

Typical Application Circuit (Continue)

2. Fixed Output Voltage Version



3. Adjustable Output Voltage Version with Delayed Startup

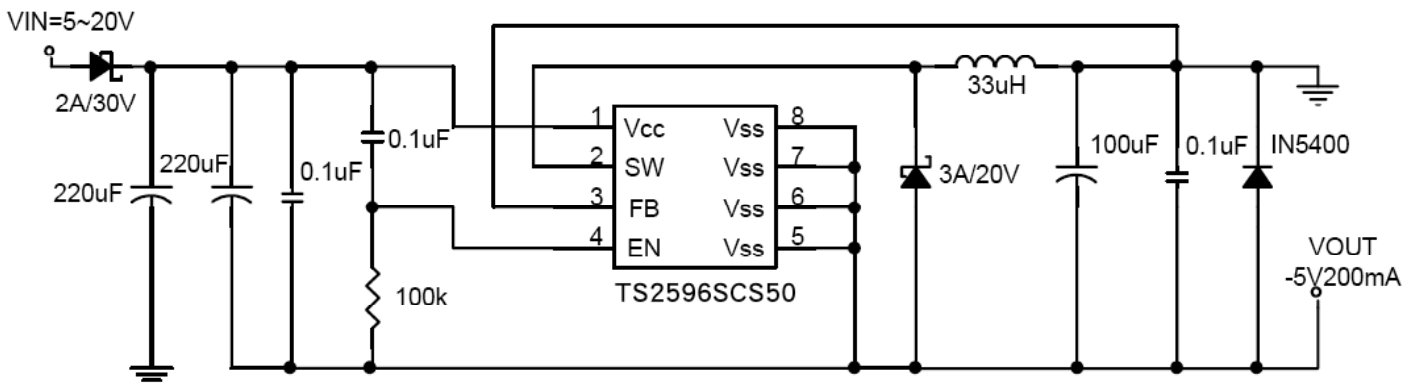


$$V_{out} = V_{FB} \times \left(1 + \frac{R1}{R2}\right)$$

$$V_{FB} = 1.23V$$

$$R2 = 0.47K \sim 2.6K$$

4. Inverting -5V Regulator with Delayed Startup



Function Description

Pin Function

Vcc

This is the positive input supply for the IC switching regulator. A suitable input bypass capacitor must be presented at this pin to minimize voltage transients and to supply the switching currents needed by the regulator.

Ground

Circuit ground

SW Output

Internal switch. The voltage at this pin switches between (+Vcc – Vsat) and approximately – 0.5V, with a duty cycle of approximately V_{out} / V_{cc} . To minimize coupling to sensitive circuitry, the PC board copper area connected to this pin should be minimized.

Feedback

Sense the regulated output voltage to complete the feedback loop.

Enable

Allows the switching regulator circuit to be shutdown using logic level signals thus dropping the total input supply current to approximately 100uA. Pulling this pin below a threshold voltage of approximately 1.3V turns the regulator on, and pulling this pin above 1.3V (up to a maximum of Vcc) shuts the regulator down. If this shutdown feature is not needed, the EN pin can be wired to the ground pin.

Thermal Considerations

The SOP-8 package needs a heat sink under most conditions. The size of the heat sink depends on the input voltage, the output voltage, the load current and the ambient temperature. The TS2596S junction temperature rises above ambient temperature for a 2A load and different input and output voltages.

The data for these curves was taken with the TS2596S (SOP-8) package operating as a buck-switching regulator in an ambient temperature of 25°C (still air). These temperature increments are all approximate and are affected by many factors. Higher ambient temperatures requires more heat sinker.

For the best thermal performance, wide copper traces and generous amounts of printed circuit board copper (need connect to the Ground pin) should be used in the board layout, (one exception is the SW pin, which should not have large areas of copper.) Large areas of copper provide the best transfer of heat (lower thermal resistance) to the surrounding air, and moving air lowers the thermal resistance even further.

Package thermal resistance and junction temperature increments are all approximate. The increments are affected by a lot of factors. Some of these factors include board size, shape, thickness, position, location, and even board temperature. Other factors are, trace width, total printed circuit copper area, copper thickness, single or double-sided, multi-layer board and the amount of solder on the board.

The effectiveness of the PC board to dissipate heat also depends on the size, quantity and spacing of other components on the board, as well as whether the surrounding air is still or moving. Furthermore, some of these components such as the catch diode will add heat to the PC board and the heat can vary as the input voltage changes. For the inductor, depending on the physical size, type of core material and the DC resistance, it could either act as a heat sink taking heat away from the board, or it could add heat to the board.

Electrical Characteristics Curve

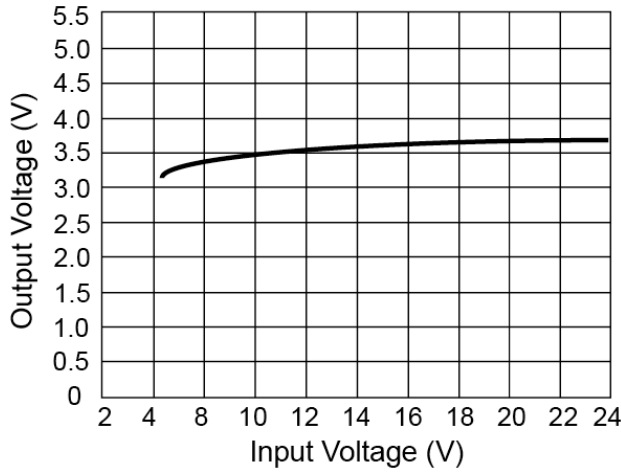


Figure 1 – Vout vs. Vin

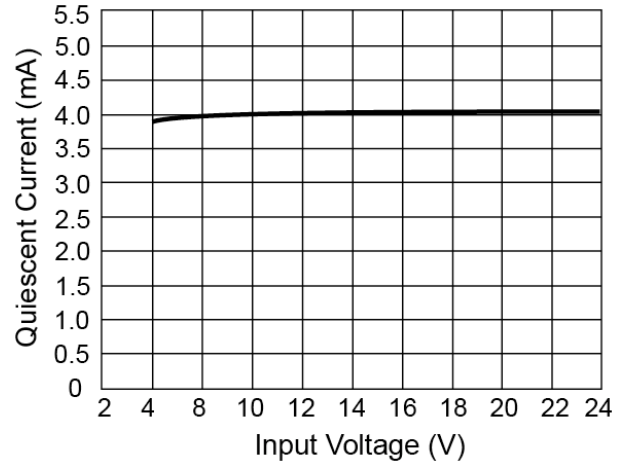


Figure 2 – Quiescent Current vs. Vin

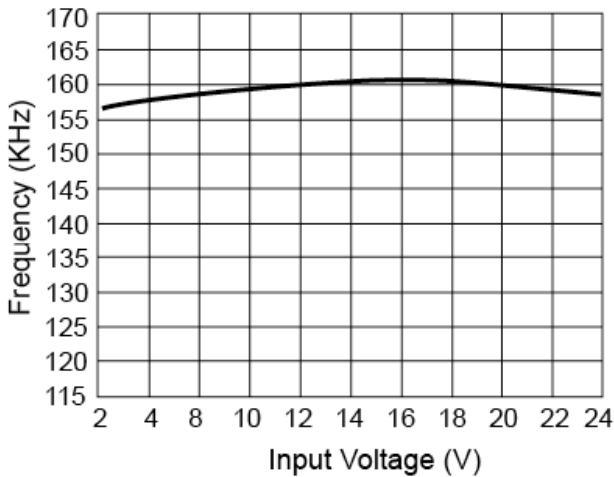


Figure 3 – Frequency vs. Vin

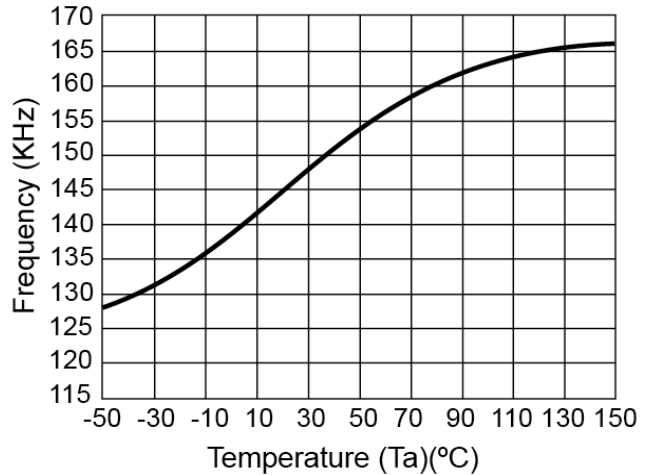


Figure 4 – Frequency vs. Temperature

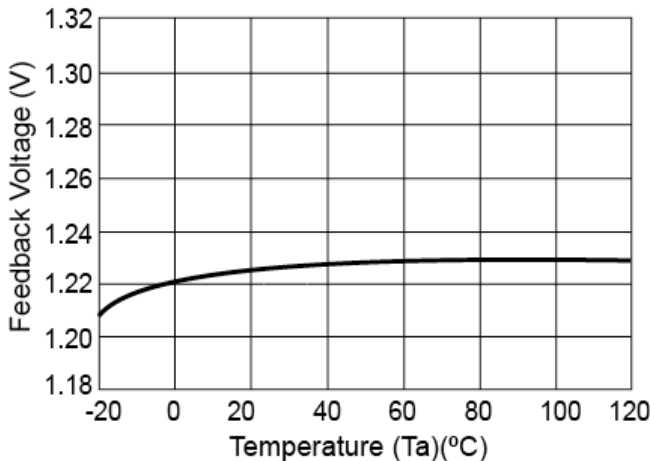


Figure 5 – Feedback Voltage vs. Temperature

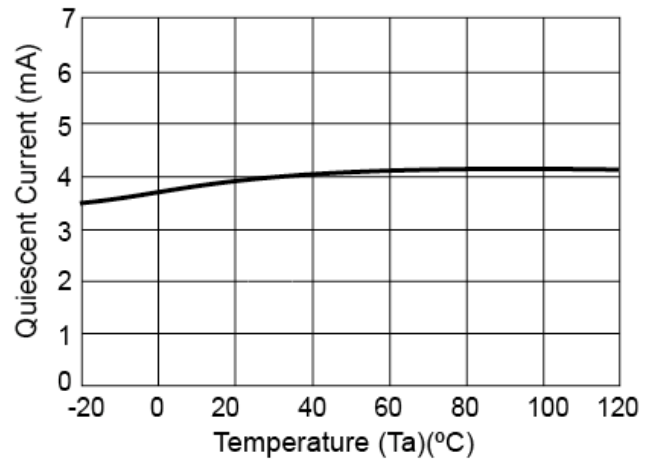


Figure 6 – Quiescent Current vs. Temperature

Electrical Characteristics Curve

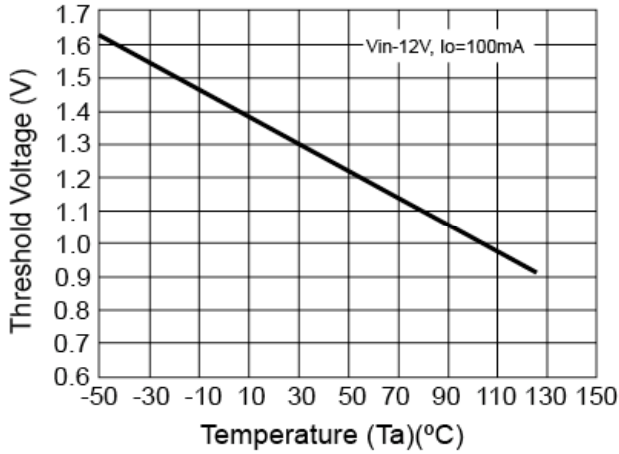


Figure 7 – Threshold Voltage vs. Temperature

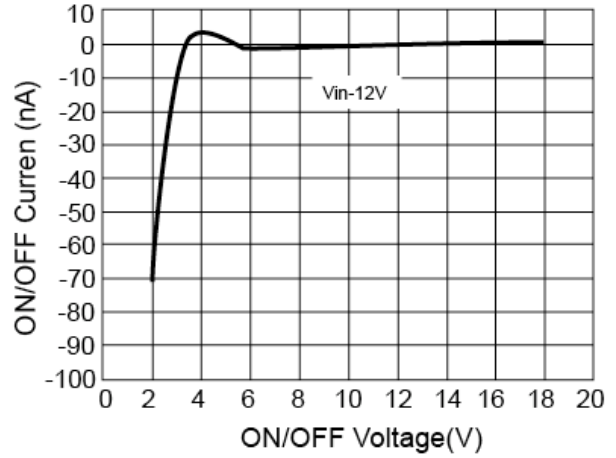


Figure 8 – ON/OFF Current vs. voltage

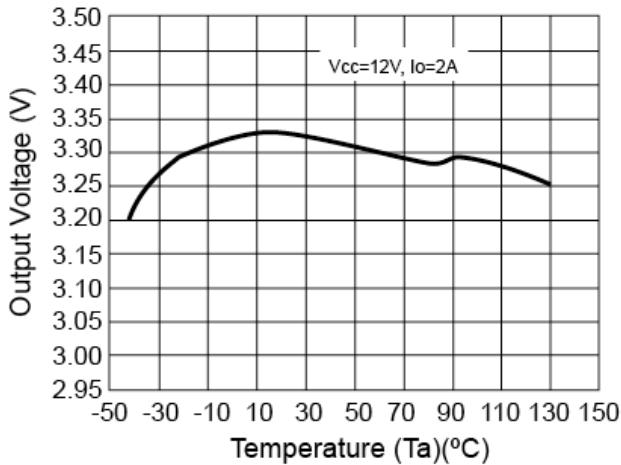


Figure 9 – Output Voltage vs. Temperature

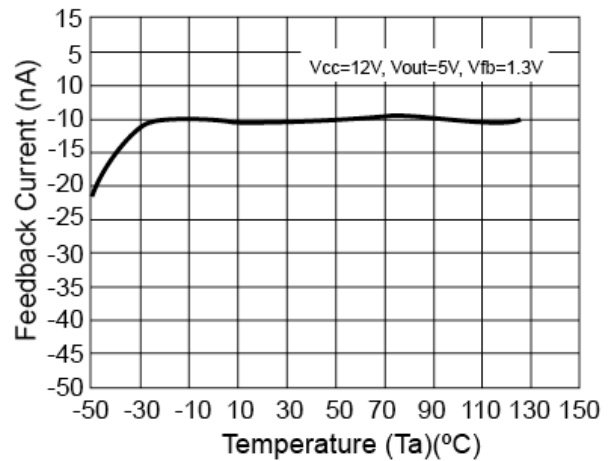


Figure 10 – Feedback Current vs. Temperature

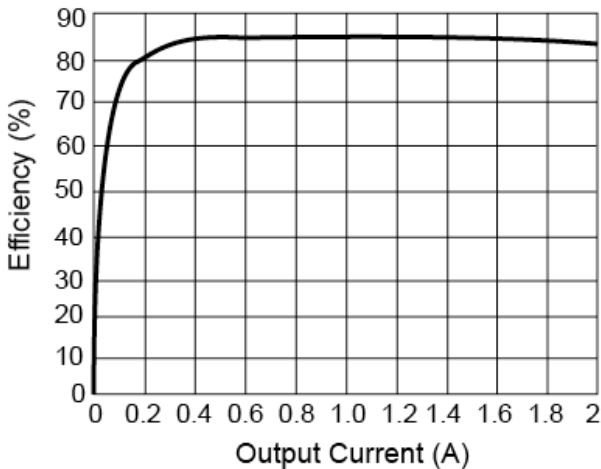


Figure 11 – Efficiency (Vin=12V, Vo=3.3V)

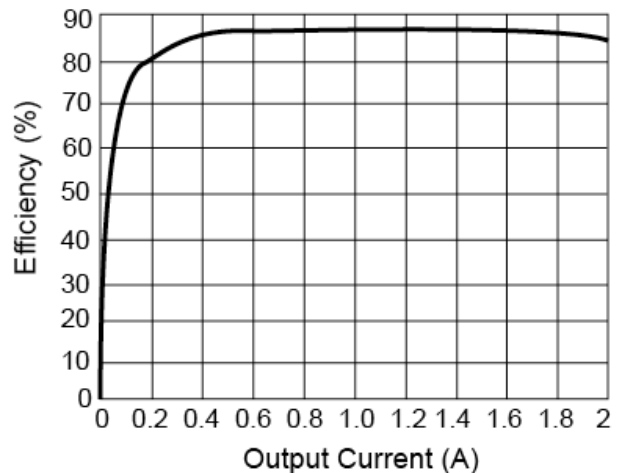
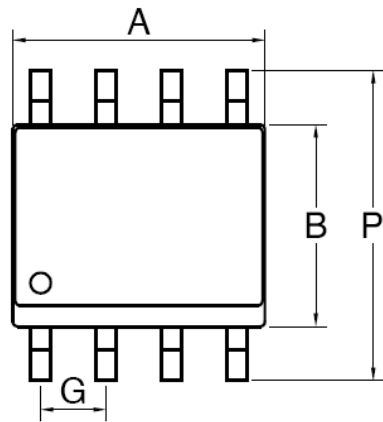
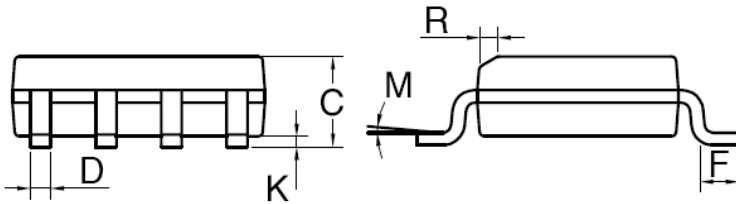


Figure 12 – Efficiency (Vin=12V, Vo=5V)

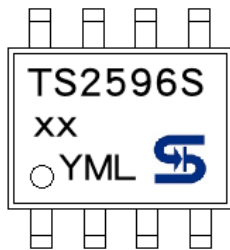
SOP-8 Mechanical Drawing



DIM	MILLIMETERS		INCHES	
	MIN	MAX	MIN	MAX.
A	4.80	5.00	0.189	0.196
B	3.80	4.00	0.150	0.157
C	1.35	1.75	0.054	0.068
D	0.35	0.49	0.014	0.019
F	0.40	1.25	0.016	0.049
G	1.27BSC		0.05BSC	
K	0.10	0.25	0.004	0.009
M	0°	7°	0°	7°
P	5.80	6.20	0.229	0.244
R	0.25	0.50	0.010	0.019



Marking Diagram



- Y** = Year Code
- M** = Month Code
(A=Jan, B=Feb, C=Mar, D=Apl, E=May, F=Jun, G=Jul, H=Aug, I=Sep, J=Oct, K=Nov, L=Dec)
- L** = Lot Code
- XX** = Output Voltage (**33**=3.3V, **50**=5V)
Blank for Adjustable type

Notice

Specifications of the products displayed herein are subject to change without notice. TSC or anyone on its behalf, assumes no responsibility or liability for any errors or inaccuracies.

Information contained herein is intended to provide a product description only. No license, express or implied, to any intellectual property rights is granted by this document. Except as provided in TSC's terms and conditions of sale for such products, TSC assumes no liability whatsoever, and disclaims any express or implied warranty, relating to sale and/or use of TSC products including liability or warranties relating to fitness for a particular purpose, merchantability, or infringement of any patent, copyright, or other intellectual property right.

The products shown herein are not designed for use in medical, life-saving, or life-sustaining applications. Customers using or selling these products for use in such applications do so at their own risk and agree to fully indemnify TSC for any damages resulting from such improper use or sale.