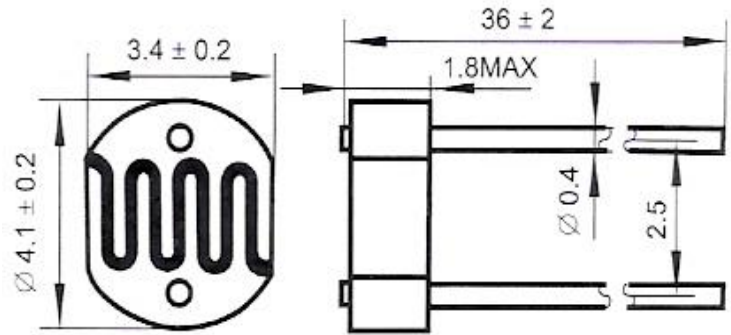




**FEATURES**

- Miniature open frame package
- Epoxy coated
- Moisture resistant
- Spectral response similar to the human eye
- Applications include dusk-dawn lighting control

**LIGHT DEPENDENT RESISTOR**



Dimensions in millimetres

**SPECIFICATION AND PERFORMANCE**

Model	Vmax (VDC)	Pmax (mW)	Ambient temp(°C)	Spectral peak (nm)	Light Resistance at 10Lux (KΩ)	Dark Resistance (MΩ)	Gamma value at 100-10Lux	Response Time (ms)	
								Rise Time	Decay time
GL4539	150	100	-30~+70	540	30-60	10	0.7	20	30

**Measuring Conditions**

**1. Light resistance:**

Measured at 10 Lux with standard light A (2854K color temperature) and 2hr illumination at 400-600 lux prior to testing.

**2. Dark Resistance:**

Measured 10 seconds after closed 10 lux.

**3. Gamma Characteristic:**

Between 10 lux and 100 lux and given by  $\gamma = \lg(R_{10}/R_{100})$   
 R10、R100 Cell resistance at 10 lux and 100 lux.

The error of  $\gamma$  is  $\pm 0.1$ .

**4. Pmax:**

Max. power dissipation at ambient temperature of 25 °C.

**5. Vmax:**

Max. voltage in darkness that may be applied to the cell continuously.

**Spectral Response**

