



# RL-2250

## 50/60 HZ TRANSFORMERS

### ALL/TRAN™



IEC-950  
CERTIFIED  
E176740

#### DESCRIPTION

- Two Section Linear Transformer

#### ENVIRONMENTAL DATA

- Storage temperature range: -55°C to +130°C
- Operating temperature range: -40°C to +130°C

#### PACKAGING INFORMATION

- Packaging information: pg. 508

#### FEATURES & APPLICATIONS

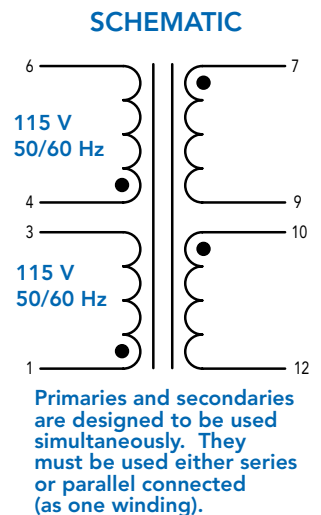
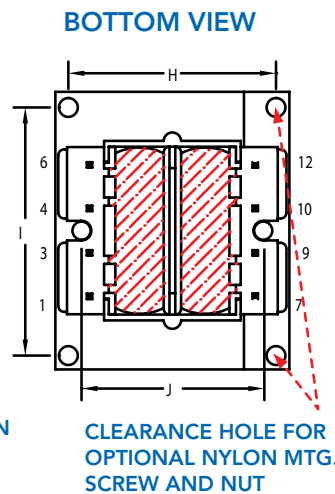
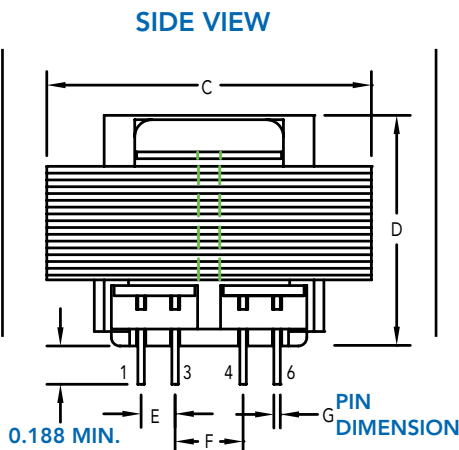
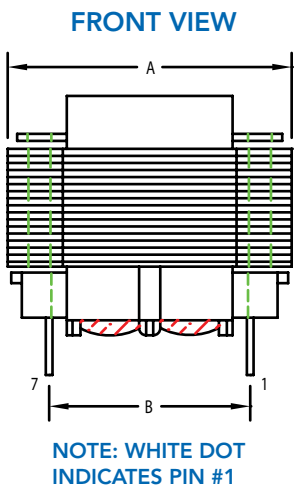
- Meets or exceeds UL, CSA, VDE and IEC specifications
- Incorporate advanced dual bobbin non-concentric design that reduces interwinding capacitance and eliminates the need for electrostatic shielding
- Since the windings are balanced, no primary circulating currents are present
- Use of high temperature, high stability materials results in excellent interwinding insulation and insulation between windings and core

Verify operation with sample in actual circuit. Order samples at [www.rencousa.com](http://www.rencousa.com).

#### MECHANICAL DIMENSIONS

U.S. Standard (mm)

PART NUMBER	VA (SIZE)	A (MAX.)	B (MAX.)	C (MAX.)	D (MAX.)	E (TYP.)	F (TYP.)
RL-2250	2.5	1.3125 (33.34)	1.000 (25.40)	1.625 (41.28)	1.1250 (28.58)	0.200 (5.08)	0.250 (6.35)
RL-2250	5	1.3125 (33.34)	1.000 (25.40)	1.625 (41.28)	1.3750 (34.93)	0.200 (5.08)	0.400 (10.16)
RL-2250	10	1.580 (40.13)	1.140 (28.96)	1.900 (48.26)	1.3750 (34.93)	0.200 (5.08)	0.400 (10.16)
RL-2250	20	1.8750 (47.63)	1.460 (37.08)	2.250 (57.15)	1.6250 (41.28)	0.400 (10.16)	0.400 (10.16)
RL-2250	30	1.1875 (30.16)	1.680 (42.67)	2.625 (66.68)	1.5625 (39.69)	0.550 (13.97)	0.275 (6.99)
RL-2250	56	2.5000 (63.50)	1.900 (48.26)	3.000 (76.20)	1.8125 (46.04)	0.600 (15.24)	0.300 (7.62)



RENCO ELECTRONICS INC.



595 International Place, Rockledge, FL 32955-4200 USA • [www.rencousa.com](http://www.rencousa.com) • ISO 9001 Certified  
Toll Free Engineering Hot Line: 800.645.5828 • P: 321.637.1000 • F: 321.637.1600



# RL-2250

G (TYP.)	H (MAX.)	MTG		MTG. SCREW		
		I (MAX.)	J (MAX.)	SIZE	QTY.	LBS (KG)
0.025SQ (0.64SQ)	N/A	N/A	1.0625 (26.99)	#4	2	0.25 (0.11)
0.025SQ (0.64SQ)	N/A	N/A	1.0625 (26.99)	#4	2	0.37 (0.17)
0.038SQ (0.97SQ)	N/A	N/A	1.2500 (31.75)	#4	2	0.53 (0.24)
0.038SQ (0.97SQ)	N/A	N/A	1.5000 (38.10)	#4	2	0.90 (0.41)
0.045SQ (1.14SQ)	2.1875 (55.56)	1.75 (44.45)	N/A	#6	4	1.15 (0.52)
0.045SQ (1.14SQ)	2.5000 (63.50)	2.00 (50.80)	N/A	#6	4	1.70 (0.77)

PART NUMBER	PART WEIGHT
RL-2250-2.5	112.4g (3.96oz)
RL-2250-5.0	170.0g (6.01oz)
RL-2250-10	248.0g (8.74oz)
RL-2250-20	425.0g (15.01oz)
RL-2250-30	506.0g (17.89oz)
RL-2250-56	792.6g (27.95oz)



# RL-2250

Renco Part Number	VA (Size)	SECONDARY RMS RATING	
		SERIES	PARALLEL
RL-2250-2.5-10	2.5	10V C.T. @ 0.25 A	5V @ 0.50 A
RL-2250-5.0-10	5.0	10V C.T. @ 0.50 A	5V @ 1.00 A
RL-2250-10-10	10	10V C.T. @ 1.00 A	5V @ 2.00 A
RL-2250-20-10	20	10V C.T. @ 2.00 A	5V @ 4.00 A
RL-2250-30-10	30	10V C.T. @ 3.00 A	5V @ 6.00 A
RL-2250-56-10	56	10V C.T. @ 5.60 A	5V @ 11.20 A
RL-2250-2.5-12	2.5	12.6V C.T. @ 0.20 A	6.3V @ 0.40 A
RL-2250-5.0-12	5	12.6V C.T. @ 0.40 A	6.3V @ 0.80 A
RL-2250-10-12	10	12.6V C.T. @ 0.80 A	6.3V @ 1.60 A
RL-2250-20-12	20	12.6V C.T. @ 1.60 A	6.3V @ 3.20 A
RL-2250-30-12	30	12.6V C.T. @ 2.40 A	6.3V @ 4.80 A
RL-2250-56-12	56	12.6V C.T. @ 4.40 A	6.3V @ 8.80 A
RL-2250-2.5-16	2.5	16V C.T. @ 0.15 A	8V @ 0.30 A
RL-2250-5.0-16	5	16V C.T. @ 0.31 A	8V @ 0.62 A
RL-2250-10-16	10	16V C.T. @ 0.62 A	8V @ 1.25 A
RL-2250-20-16	20	16V C.T. @ 1.25 A	8V @ 2.50 A
RL-2250-30-16	30	16V C.T. @ 1.90 A	8V @ 3.80 A
RL-2250-56-16	56	16V C.T. @ 3.50 A	8V @ 7.00 A
RL-2250-2.5-20	2.5	20V C.T. @ 0.12 A	10V @ 0.24 A
RL-2250-5.0-20	5	20V C.T. @ 0.25 A	10V @ 0.50 A
RL-2250-10-20	10	20V C.T. @ 0.50 A	10V @ 1.00 A
RL-2250-20-20	20	20V C.T. @ 1.00 A	10V @ 2.00 A
RL-2250-30-20	30	20V C.T. @ 1.50 A	10V @ 3.00 A
RL-2250-56-20	56	20V C.T. @ 2.80 A	10V @ 5.60 A
RL-2250-2.5-24	2.5	24V C.T. @ 0.10 A	12V @ 0.20 A
RL-2250-5.0-24	5	24V C.T. @ 0.21 A	12V @ 0.42 A
RL-2250-10-24	10	24V C.T. @ 0.42 A	12V @ 0.84 A
RL-2250-20-24	20	24V C.T. @ 0.83 A	12V @ 1.66 A
RL-2250-30-24	30	24V C.T. @ 1.25 A	12V @ 2.50 A
RL-2250-56-24	56	24V C.T. @ 2.33 A	12V @ 4.66 A
RL-2250-2.5-28	2.5	28V C.T. @ 0.09 A	14V @ 0.18 A
RL-2250-5.0-28	5	28V C.T. @ 0.18 A	14V @ 0.36 A
RL-2250-10-28	10	28V C.T. @ 0.36 A	14V @ 0.72 A
RL-2250-20-28	20	28V C.T. @ 0.72 A	14V @ 1.44 A
RL-2250-30-28	30	28V C.T. @ 1.06 A	14V @ 2.12 A
RL-2250-56-28	56	28V C.T. @ 2.00 A	14V @ 4.00 A
RL-2250-2.5-36	2.5	36V C.T. @ 0.07 A	18V @ 0.14 A
RL-2250-5.0-36	5	36V C.T. @ 0.14 A	18V @ 0.28 A
RL-2250-10-36	10	36V C.T. @ 0.28 A	18V @ 0.56 A
RL-2250-20-36	20	36V C.T. @ 0.56 A	18V @ 1.12 A
RL-2250-30-36	30	36V C.T. @ 0.82 A	18V @ 1.64 A
RL-2250-56-36	56	36V C.T. @ 1.56 A	18V @ 3.12 A

NOTES: ELECTRICAL SPECIFICATIONS MEASURED AT 25°C



**RENCO ELECTRONICS INC.**

595 International Place, Rockledge, FL 32955-4200 USA • [www.rencousa.com](http://www.rencousa.com) • ISO 9001 Certified  
Toll Free Engineering Hot Line: 800.645.5828 • P: 321.637.1000 • F: 321.637.1600



453