

Insulation Resistance: 1,000M Ω min. at 500V DC
 Dielectric Withstanding Voltage: 700V AC for 1 minute
 Contact Resistance: 30m Ω max. at 10mA/20mV max.
 Operating Temperature Range: -55°C to +170°C

Materials and Finish

Housing: Polyetherimide (PEI), glass-filled, UL94V-0
 Contacts: Beryllium Copper (BeCu)
 Plating: Gold over Nickel

Features

⇨ Push-down lever for automated handling



NP161 - 289 02 MF - G 4 - BF

Series No.

No. of Contact Pins

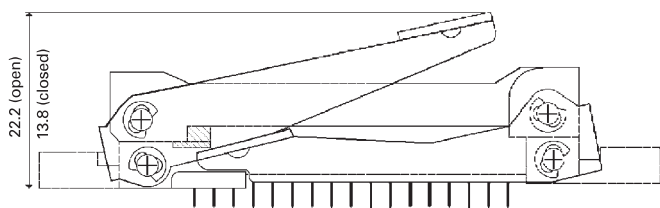
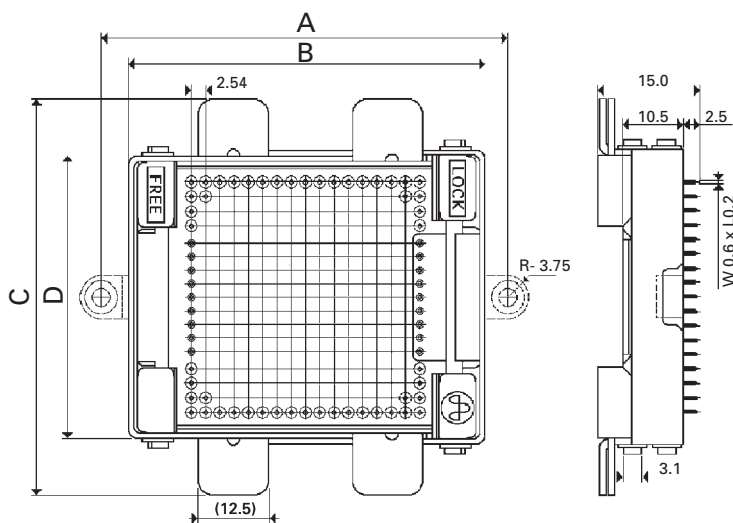
Design Number

MF = Flanged
 Unmarked = Not Flanged

Contact Plating (Gold)

Contact Terminal Style

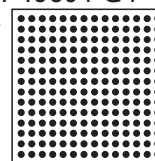
Plating Specification



Pin Layouts

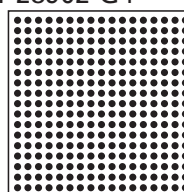
NP161-19604-G4

14x14

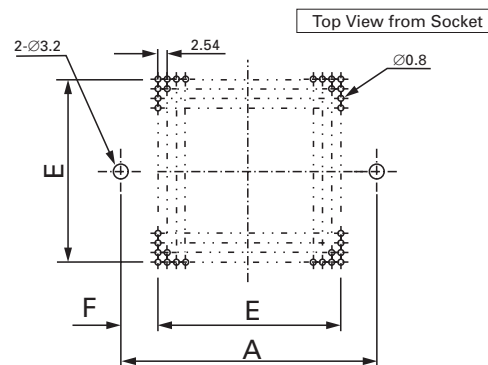


NP161-28902-G4

17x17



Recommended PCB Layout



Part Number	Grid Size	Pin Count	Socket and PC Board Dimensions					
			A	B	C	D	E	F
NP161-19604** -G4-BF	14 x 14	196	65.1	56.0	59.5	45.1	2.54x13	16.0
NP161-28902** -G4-BF	17 x 17	289	72.6	63.5	68.0	52.0	2.54x16	16.0