


02 0260

Quicklock circular connectors, IP67

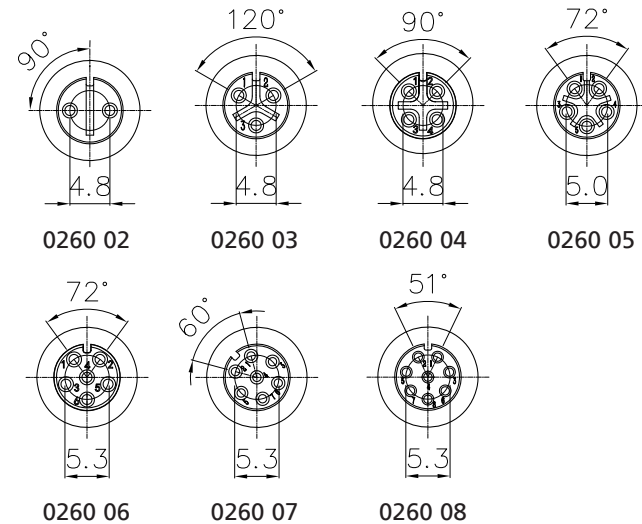
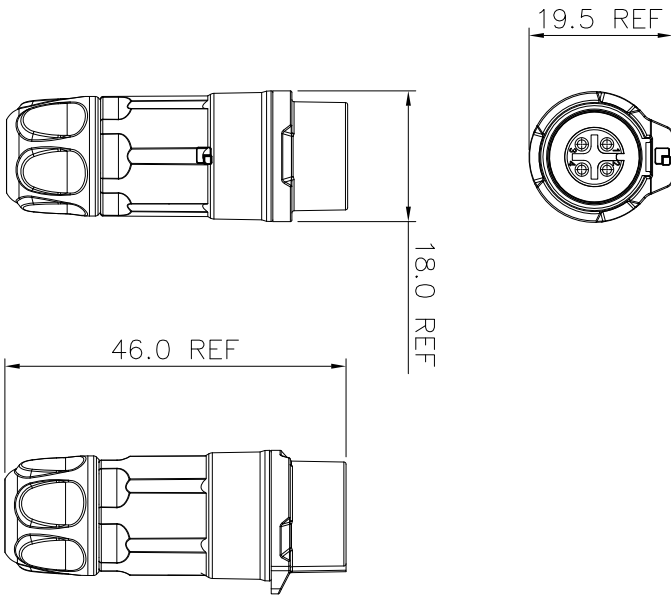


Quicklock socket, IP67, size 12, straight version, with plastic housing and solder terminals

Approvals: 

02 0260

Pin configurations, mating side view



Environmental conditions

Temperature range -40 °C/+80 °C

Materials

Insulating body	PBT, V-0 according to UL94
Contact bush	CuSn, gold-plated
Housing	PBT, V-0 according to UL94 F1 according to UL 746C, outdoor suitability (UV-light, immersion)
Cap nut	PBT, V-0 according to UL94, F1 according to UL 746C

Mechanical data

Mating cycles	1700
Insertion force	≤ 80 N
Withdrawal force	≤ 50 N
Protection class	IP67 ¹

¹ only in locked condition with an appropriate counterpart

Connectable conductors for solder area

Section	0.34–0.75 mm ² /AWG 22–20 (2–6 poles) 0.25–0.34 mm ² /AWG 24–22 (7–8 poles)
Cable diameter	3.0–6.0 mm

Electrical data (at T_{amb} 20 °C)

Contact resistance	≤ 10 mΩ
Rated current	5 A (2–6 poles) 3 A (7–8 poles)
Rated voltage	125 V
Rated impulse voltage	1500 V AC
Creepage distance	≥ 1,5 mm
Clearance	≥ 0,5 mm
Insulation resistance	> 500 MΩ

Associated products

Counterparts
↗ 0250

02 0260

Designation	Pole Number	PU (Pieces)	MDQ (Pieces)
0260 02	2	15	60
0260 03	3	15	60
0260 04	4	15	60
0260 05	5	15	60
0260 06	6	15	60
0260 07	7	15	60
0260 08	8	15	60

Packaging:

in individual plastic bags, in a cardboard box