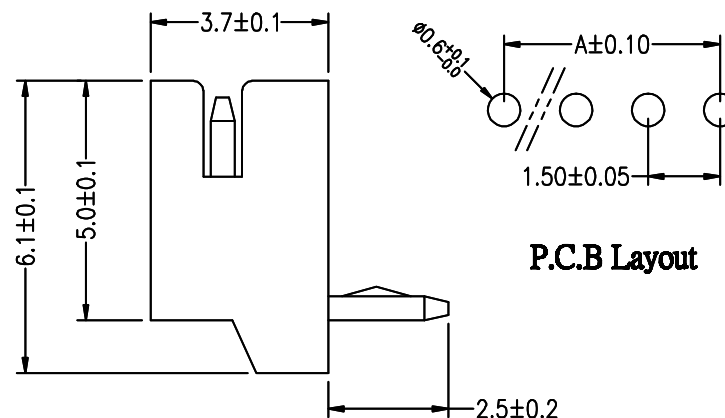
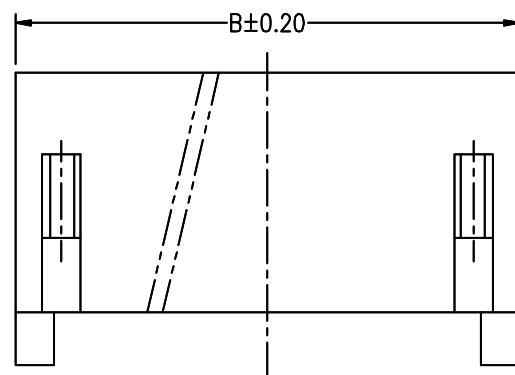
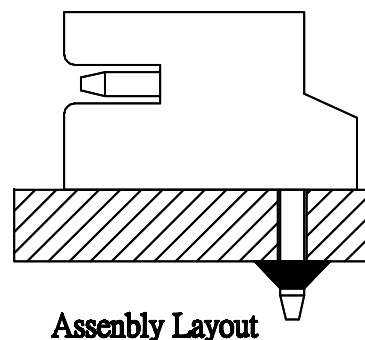
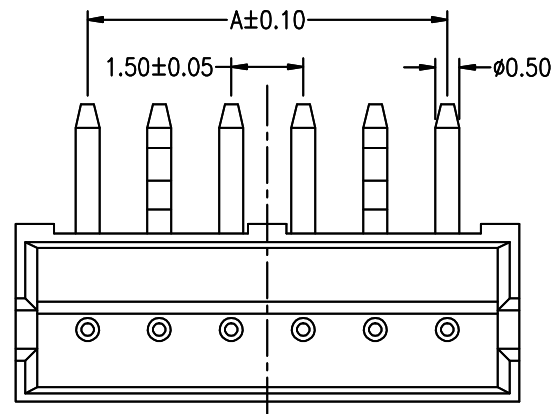


Pin数	2P	3P	4P	5P	6P	7P	8P	9P	10P	11P	12P	13P	14P	15P
A	1.50	3.00	4.50	6.00	7.50	9.00	10.50	12.00	13.50	15.00	16.50	18.00	19.50	21.00
B	4.50	6.00	7.50	9.00	10.50	12.00	13.50	15.00	16.50	18.00	19.50	21.00	22.50	24.00



■ 技术参数 SPECIFICATIONS

- ◆ 适用线规: AWG.#26~#32  
Applicable Wire: AWG.#26~#32
- ◆ 额定电压: 50V DC/AC(rms)  
Rated voltage: 50V DC/AC(rms)
- ◆ 额定电流: 1A (AWG #26)  
Rated Current: 1A (AWG #26)
- ◆ 耐压值: 500V AC/minute  
Withstand voltage: 500V AC/min.
- ◆ 工作温度:  $-25^{\circ}\text{C} \sim +85^{\circ}\text{C}$   
Working Temp :  $-25^{\circ}\text{C} \sim +85^{\circ}\text{C}$
- ◆ 绝缘电阻:  $\geq 500 \text{ M}\Omega$   
Insulation resistance:  $\geq 500 \text{ M}\Omega$
- ◆ 接触电阻:  $\leq 20 \text{ m}\Omega$   
Contact resistance:  $\leq 20 \text{ m}\Omega$

■ 材料 MATERIAL

- ◆ 绝缘体: 尼龙46, UL94-V0  
Insulator: PA46, UL94-V0
- ◆ 接触针: 黄铜  
Contact PIN: Brass

				TOLERANCE UNLESS OTHERWISE		DRAWN	CK tan	XFCN兴飞连接器有限公司		SHEET	1/1		
				X.	$\pm 0.30$	X°	$\pm 5^{\circ}$	CHKD	CONNECTORS XFCN CONNECTORS CO., LTD.		DATE	2010. 4. 12	
				.X	$\pm 0.20$	.X°	$\pm 2^{\circ}$	APPD	PRODUCT NAME	1.50mm Crimp Style Connectors		UNITS	mm
				.XX	$\pm 0.08$	.XX°	$\pm 1^{\circ}$	VIEW	PART. NO.	M1510R-XX-46		SCALE	1:1
				.XXX	$\pm 0.03$	.XXX°	$\pm 0.5^{\circ}$			DWG NO.	009		
A0	VER	MODIFICATION	DRAW	DATE									