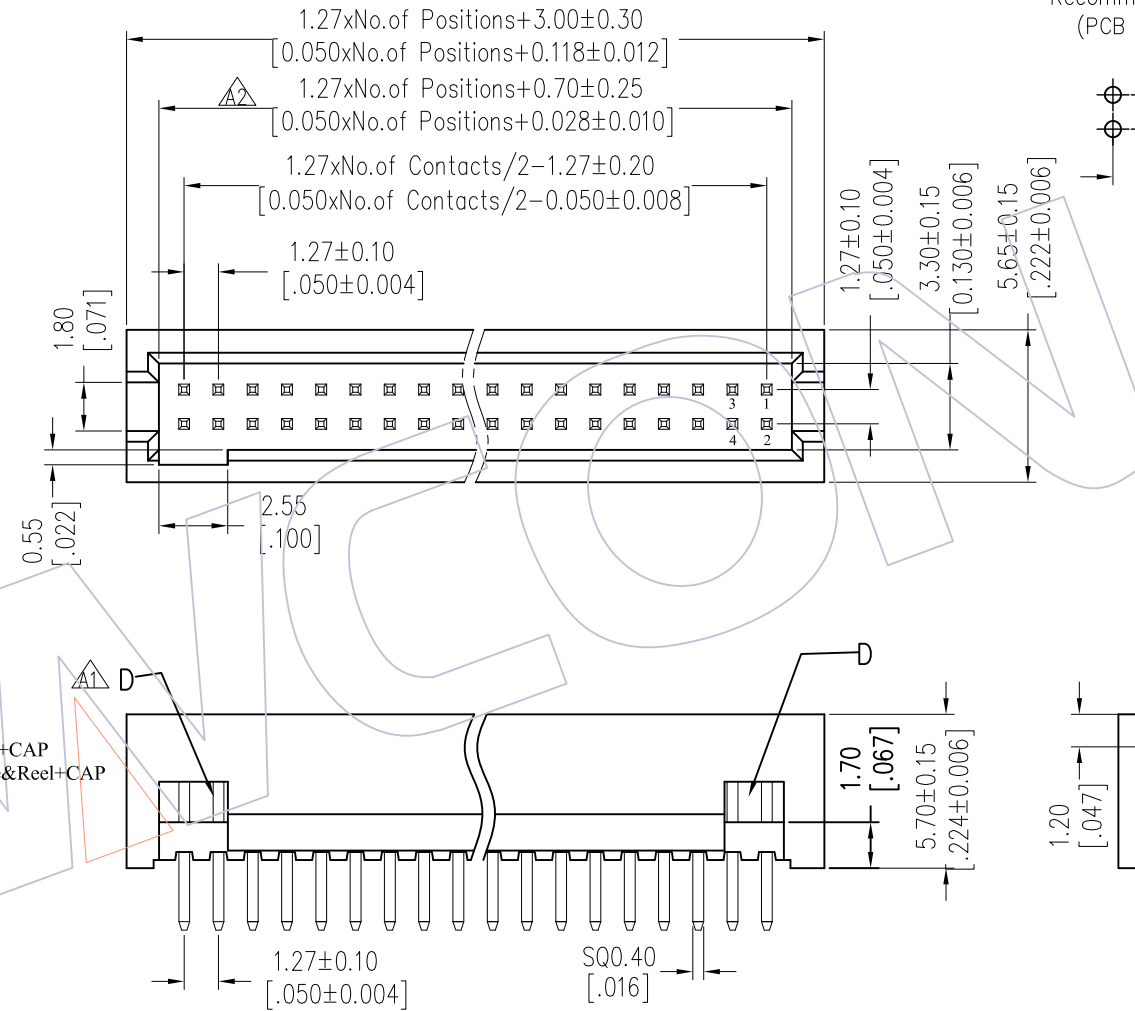
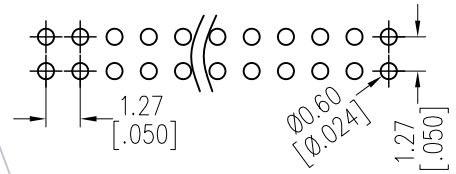


# HSF

NOTES:  
 Current Rating: 1.0AMP  
 Contact Resistance: 20mΩ Max  
 Withstand Voltage: 500V AC/DC  
 Insulation Resistance: 1000MΩ Min  
 Operation Temperature: -40°C to +105 °C

Contact Material: Brass  
 Contact plating: Au Or Sn over Ni  
 Insulator Material: PA9T+33%G.F UL94V-0

Recommended P.C.B Layout(Top Side)  
 (PCB BOARD TOLERANCE±0.05)



## Ordering Information

3131-XX S XX B K 00 X 1

No. of Pins	Contact Plating	Color Insulator	Packing
10 34	G0=Gold Flash	B=Black	T=Tube
14 40	G3=10u"Gold		P=Tube+CAP
20 44	G4=15u"Gold		R=Tape&Reel+CAP
24 50	G5=30u"Gold		
26 60	S0=Gold Flash/Tin		
30 64	S3=10u"Gold/Tin		
32 80	S4=15u"Gold/Tin		
△ 100	S5=30u"Gold/Tin		
	SN=Tin		

Item	Pitch	Mating	Dip(A)
Standard	1.27	2344	2.30
Alternate			

REV	DATE	MODIFICATION DESCRIPTION	CHANGE	OPERATION	DRAW	DATE	SCALE	FIT	PART NO.
A2	2016/11/14	Change Dimension	△△	x.x ±0.40	DingWenMin	2016/11/14	UNIT	mm	3131-XXSXXBK00X1
A1	2013/09/27	Modify	△△	x.xx ±0.25	CHECK	DATE	SIZE	A4	TITLE:
A0	2012/09/18	NEW	----	x.xxx ±0.15	APPROVE	DATE	SHEET	1/1	1.27 BOX HEADER 180° H=5.70
				Angle ± 3°			PROJ.	⌀	Customer NO.
				DIM TOL					

**WCON**  
 Http: www.wcon.com

WCON-Dongguan Tel: +86 769 85358920 Fax: +86 769 85358915 E-mail: sales@wcon.com

WCON-Kunshan Tel: +86 512 57468408 Fax: +86 512 57468468 E-mail: salesks@wcon.com