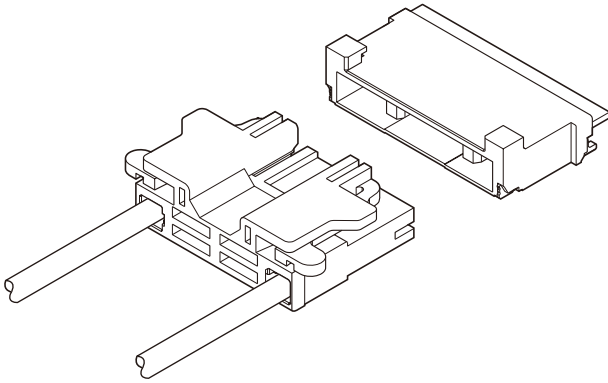


BD CONNECTOR (13mm)

13.0mm pitch/Disconnectable Crimp style connectors



Board-to-wire crimping type connector with high withstanding voltage, used for power supply of large LCD (Liquid Crystal Display or Liquid Crystal Television) back light.

Secure locking mechanism prevents from coming off housing when handling the wire harness.

- **Secure locking mechanism**
- **Space saving**
- **High withstand voltage design**
- **Crimping special wire**

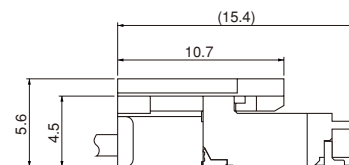
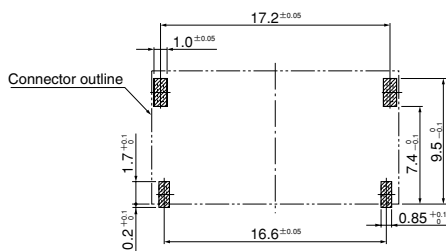
Specifications

- Current rating: 1.0A AC, DC (AWG #24)
- Voltage rating: 3,000V AC, DC
- Temperature range: -25°C to +85°C
(including temperature rise in applying electrical current)
- Contact resistance: Initial value/10m Ω max.
After environmental testing/20m Ω max.
- Insulation resistance: 1,000M Ω min.
- Withstanding voltage: 5,000V AC/minute
- Applicable wire: AWG #28 to #24
- * Compliant with RoHS.
- * Refer to "General Instruction and Notice when using Terminals and Connectors" at the end of this catalog.
- * Contact JST for details.

Standards

Recognized E60389

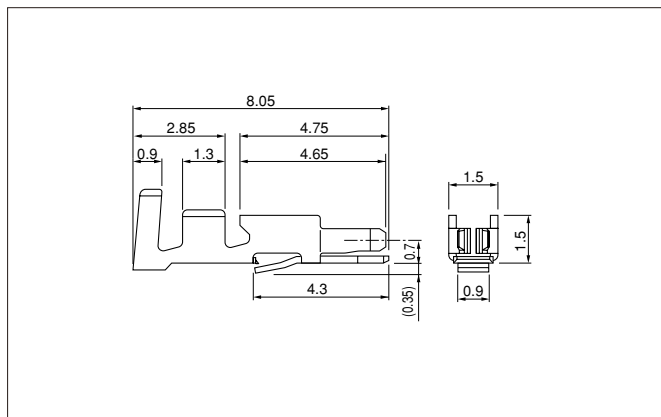
PC board layout (viewed from component side) and Assembly layout



Note: 1. Tolerances are non-cumulative: $\pm 0.05\text{mm}$ for all centers.
2. The dimensions above should serve as a guideline. Contact JST for details.

BD CONNECTOR (13mm)

Contact



Model No.	Applicable wire		Insulation O.D. (mm)	Q'ty / reel
	mm ²	AWG#		
SBHS-002T-P0.5A	0.08~0.22	28~24	0.9~1.7	10,000

Material and Finish

Phosphor bronze, tin-plated (reflow treatment)

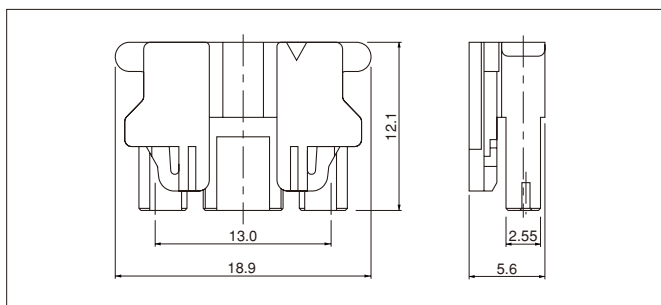
RoHS compliance

Note: Contact JST for SBHS-002T-P0.5.

Contact	Crimping machine	Applicator		
		Crimp applicator	Dies	Crimp applicator with dies
SBHS-002T-P0.5A	AP-K2N	MKS-L	MK/SBHS-002-05-BDA	APLMK SBHS002-05-BDA
		—	—	—

Note: When using this housing, standard applicator and dies for SBHS contact can not be applied.

Housing



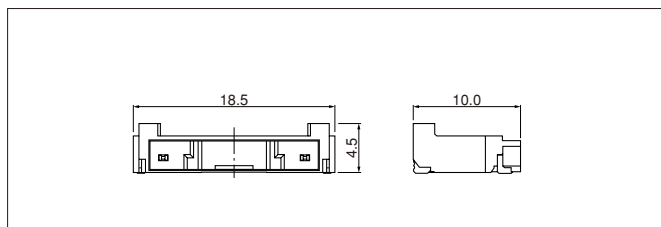
Circuits	Model No.	Q'ty / bag
2	BDAMR-02VAS-3	1,000

Material

PBT·UL94V-0, natural (white)

RoHS compliance

Shrouded header



Circuits	Model No.	Q'ty / reel
2	SM02-BDAS-3-TB	1,500

Material and Finish

Press post: Copper alloy, nickel-undercoated, tin/copper alloy-plated
 Wafer: PPA, UL94V-0, natural (ivory)
 Solder tab: Copper alloy, nickel-undercoated, tin/copper alloy-plated

RoHS compliance

This product displays (LF) on a label.
 Note: The product listed above is supplied on embossed tape.