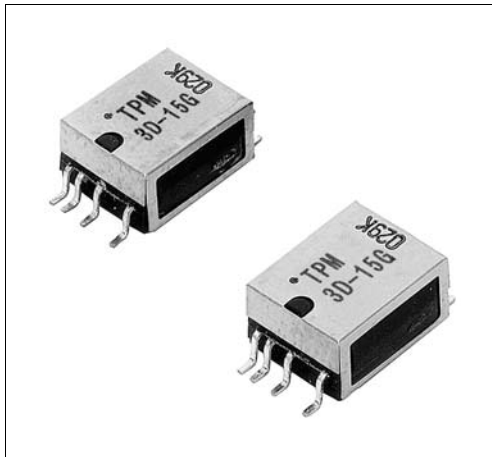


Microminiature Surface Mount Reed Relay (2)

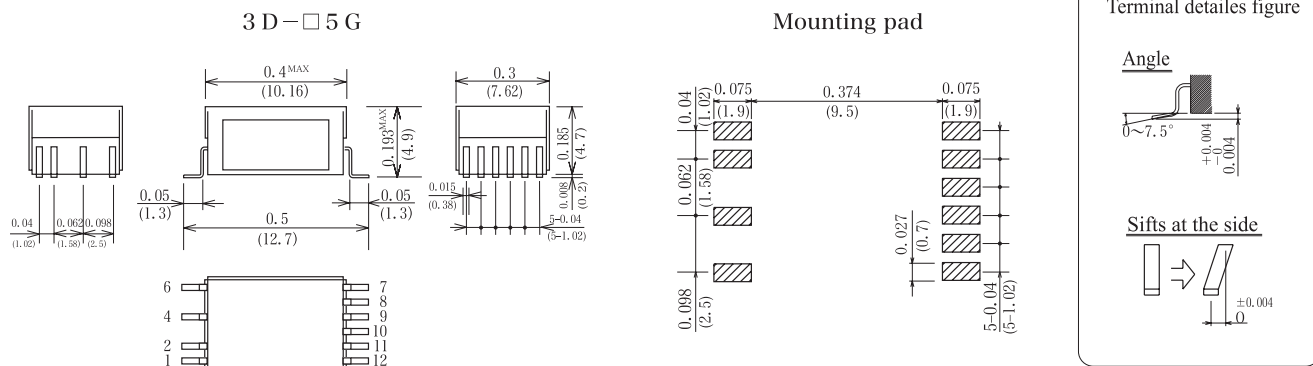


The 1 and 3 Series features the smallest 1 Form C and 2 Form A relays in the Sanyu SMT product line. These relays provide the high-cycle support demanded by the ATE and measurement instrument industries. 3D series has established the contact form 1 Form C (break before make action Form C) in the SMT product line, its much longer life up to 3×10^8 compared with exactly Form C relays. 1D series had completed individual coil drive in the SMT product line.

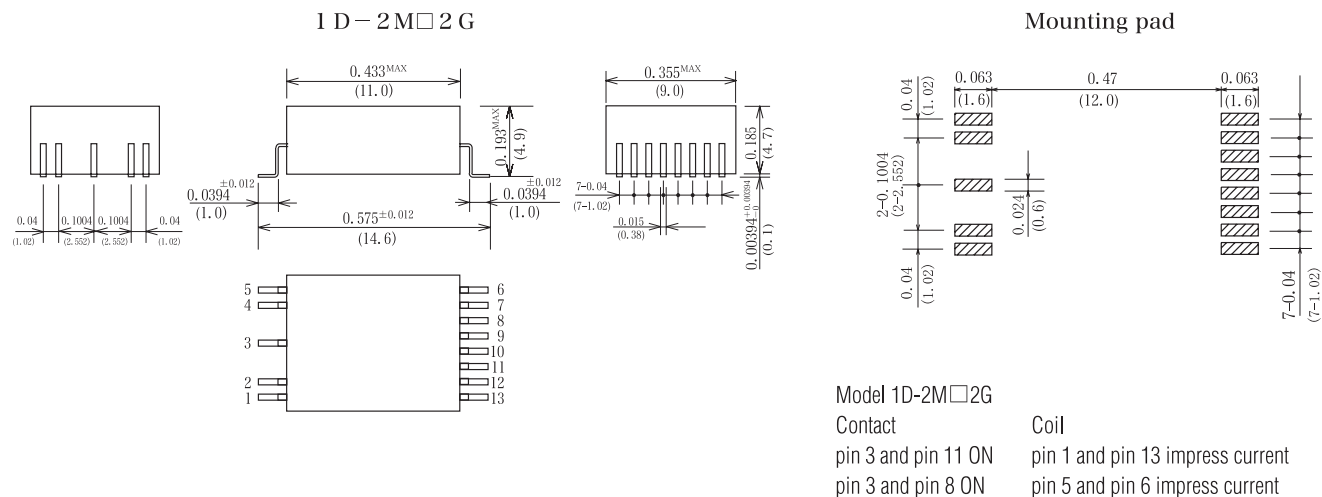
The both series have completely established high RF performances and 50Ω impedance with Coaxial Shield.

Mechanical Dimensions

All dimensions are measured in inches (millimeters).



Please let our Sales Department know when the packing with tape-and-reel for 3D type will be needed.



Please contact to our Sales Department when you need Model 1D-2M□2G.



1D, 3D Series			Model Number		Model Number	
			3D-□5G		1D-2M□2G	
Parameters	Test Condition	Units	1 Form C		2 Form A	
Coil Specifications						
Nominal coil voltage		VDC	5	12	5	12
Coil resistance	±10%at20°C	Ω	110	550	150	500
Operating voltage	15°C~35°C	VDC Max	3.75	9.6	3.75	9.6
Operating voltage range	15°C~35°C	VDC	3.75/5.5	9.6/13.2	—	—
Release voltage	15°C~35°C	VDC Min	0.7	1.2	0.7	1.2
Contact Ratings						
Switching voltage	Max. DC/Peak AC resistance	Volts			50	
Switching current	Max. DC/Peak AC resistance	Amps			0.2	
Carry current	Max. DC/Peak AC resistance	Amps			0.5	
Contact rating	Max. DC/Peak AC resistance	Watts			5	
Life expectancy	1V. 10mA	×10 ⁶ cycles			300	
Contact resistance	Maximum initial	mΩ			150	
Contact resistance stability	Maximum initial	mΩ			5.0	
Relay Specifications						
Insulation resistance	Between all isolated pins at 100V 20°C 40%RH	Ω	10 ¹¹		10 ¹¹	
Capacitance		pF-Typ				
Across open contacts	Shield guarding		0.3		0.1	
Contact to Shield	Contacts open, Shield floating		4.0		2.5	
Open contact to coil	Shield guarding		0.3			
Dielectric strength	Between contacts	VDC	150		150	
	Contacts to shield		150		150	
Operating time (Including. bounce)	At nominal coil voltage, 100Hz Square wave	msec	0.5		0.5	
Release time	Diode suppression	msec	0.5		0.5	
Environmental Ratings		Schematics Top view				
Measurement reference conditons Temp. : 15°C~35°C Humidity : 25%~85%RH Atmospheric pressure : 860~1060hPa Storage temp. : -40°C~+80°C Operating temp : -20°C~+60°C The operating and Release Voltage and the coil resistance are specified at 20°C. These values change approximately 0.4%/°C change in the ambient temperature. Vibration : 20Gs to 2000Hz Shock : 50Gs						

Notes :

- (1) Values are specified with a resistive load being applied. A contact protective circuit is required for C and L type loads.
 - (2) The values for the operating time and release time however, are when the rated coil voltage is applied and a clamp diode is attached.
 - (3) Surface mount component processing temperature: 446°F (230°C) max. for 10 seconds dwell time. Temperature is measured at leads where they exit the package.
 - (4) The relays monted in the Model 3D-fuuly observe the (+) and (-) polarity designations of the coil drive voltage.
- ※ Please contact sales department the availabilities of terminal style J-Lead.

ORDERING CODE

3 D - □ 5 G
(1)

Example 3D-15G Represents Series 3D with 1Form 1A+1B=1C Dry Reed (Rhodium), Coil Voltage 5V, Coaxial Shield, Magnetic Shield and Terminal Style Gull-Wing.

- (1) Coil Voltage
1-5VDC
2-12VDC

1 D - 2 M □ 2 G
(1)

Example 1D-2M12G Represents Series 1D with 2Form A Dry Reed (Rhodium), coil voltage 5V, Coaxial Shield and terminal style Gull-Wing.

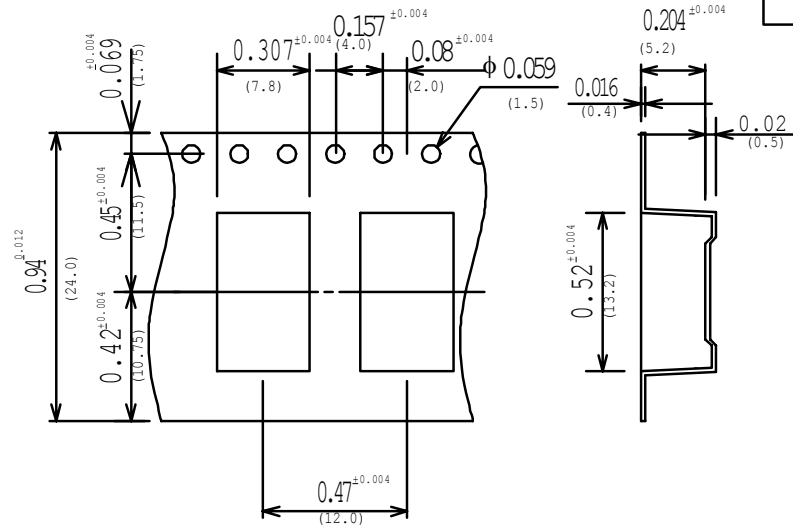
- (1) Coil Voltage
1-5VDC
2-12VDC



DB LECTRO
COMPOSANTS ÉLECTRONIQUES
ELECTRONIC COMPONENTS

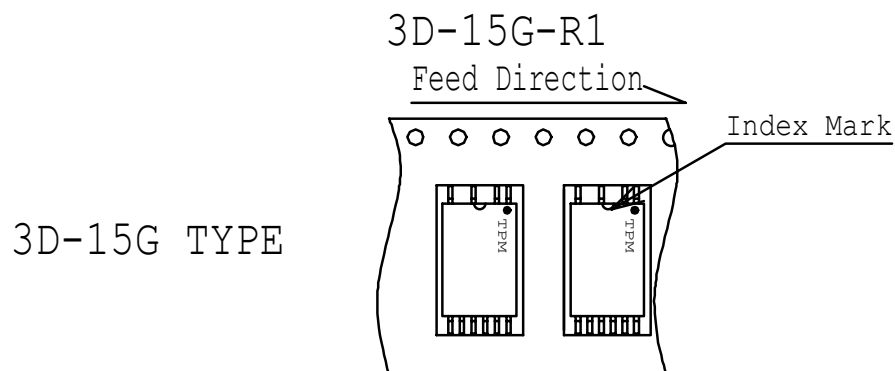
Tape shape & dimensions

3D-15G TYPE

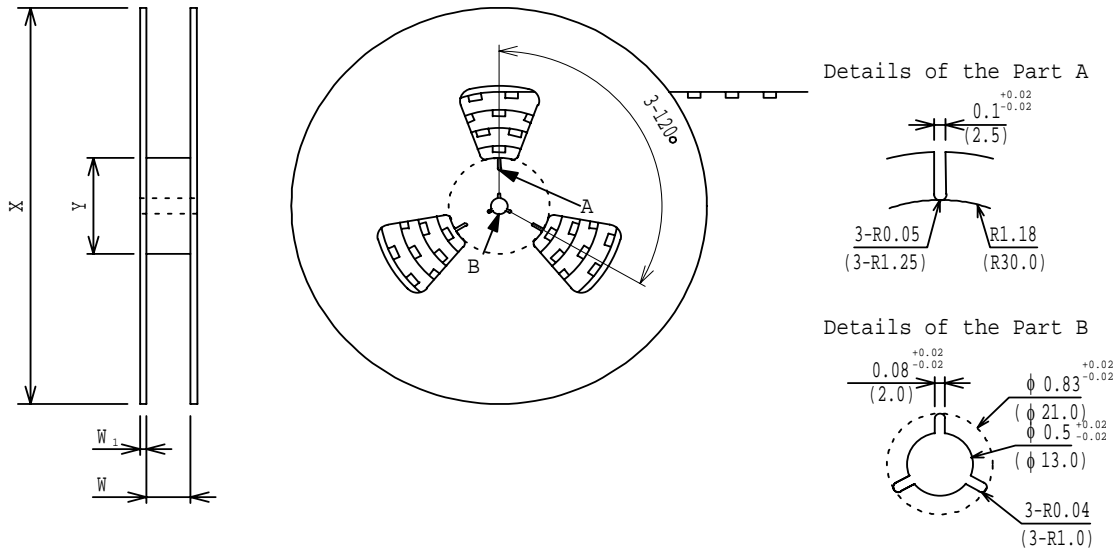


Dimensions
Inches
(mm)

Device mounting directions

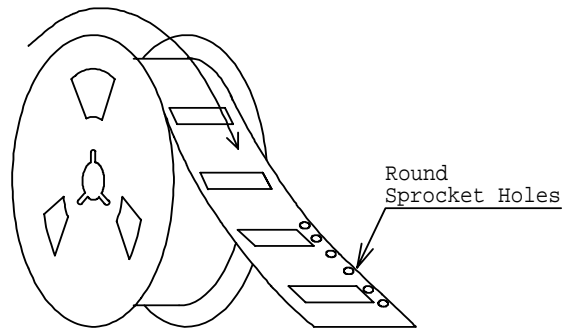


Reel shape & dimensions



PKG Type	X	Y	W	W ₁	Quantity
3D-15G TYPE	$12.99^{+0.079}$ (320)	$3.15^{+0.02}$ (80)	$1.0^{+0.045}$ (25.4)	0.12 (3.0)	500

(3D-15G TYPE)



Packaging conforms to EIA standard EIA-481-2 or EIA-481-3.