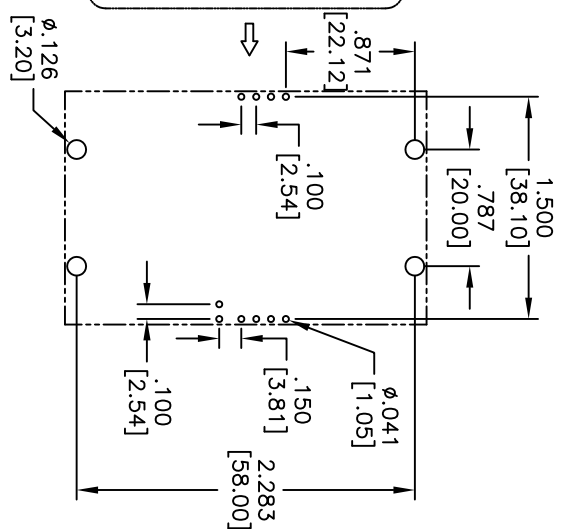
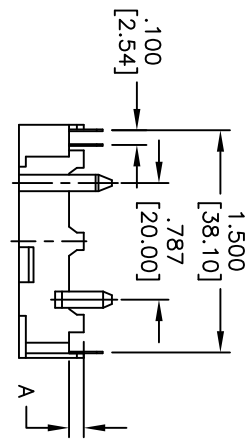
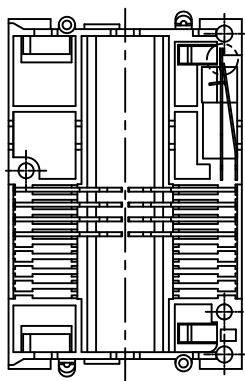
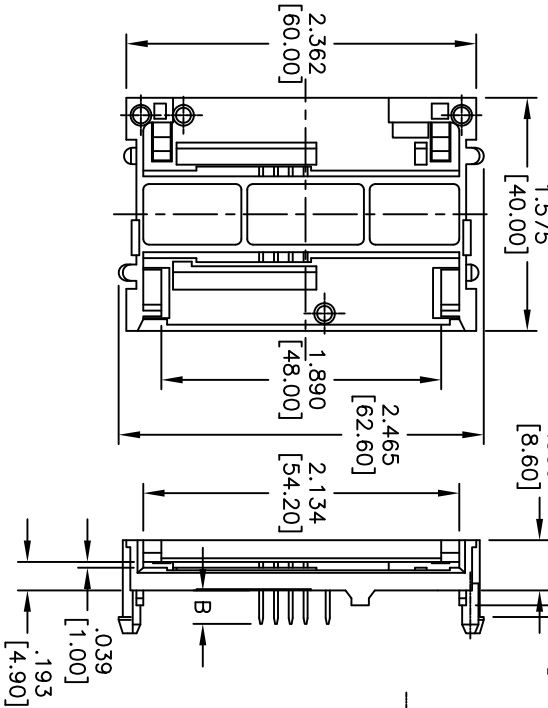


Rev	AWO #	Description	Date	Appr
-		RELEASED	11/12/09	

APPROVED: _____
 DATE: _____ TITLE: _____



RECOMMENDED PCB LAYOUT



ADAM P/N	A	B
SCS-4-08-NC-SG-A	.008 [0.20]	.134 [3.40]
SCS-4-08-NC-SG-B	.100 [2.55]	.226 [5.75]
SCS-4-08-NC-SG-C	.059 [1.50]	.219 [5.57]

ADAM TECH

909 Rahway Avenue, Union, NJ 07083
 Phone: 908-687-5000 Fax: 908-687-5710

SMART CARD SOCKET, TOP MOUNT
 NORMAL CLOSED TYPE

SPECIFICATIONS:
 Material: Insulator: PBT, 30% glass fiber, rated UL 94V-0
 Insulator color: Black
 Contacts: Phosphor Bronze
 Plating: Gold flash over Nickel underplate on contact area, Tin over copper underplate on tails.
 Electrical: Current rating: 1 Amp max
 Contact resistance: 100 mohms max
 Insulation resistance: 1,000 Mohms min
 Dielectric withstanding voltage: 500 VAC for 1 minute
 Temperature Rating: Operating temperature: -40°C to +85°C
 Environmental: Lead free, RoHS compliant
 Recommended soldering temp: 235°C for 5 seconds



UNLESS OTHERWISE SPECIFIED ALL DIMENSIONS ARE MM		TOLERANCES: EXCEPT AS NOTED	
.X	± .10	ØX	± .10
.XX	± .020	ØXX	± .015
.XXX	± .015	ØXXX	± .010
APPROVALS	DATE	TITLE	
DRAWN	DY	SMART CARD SOCKET, TOP MOUNT	
CHECKED		NORMAL CLOSED TYPE	
APPROVED		SIZE	PART NO.
		X	SCS-4-08-NC-SG-X
		REF:	S00009T
		SCALE:	NTS
		SHEET	1 OF 1