

Type: HR-5T

Sample submission is forbidden

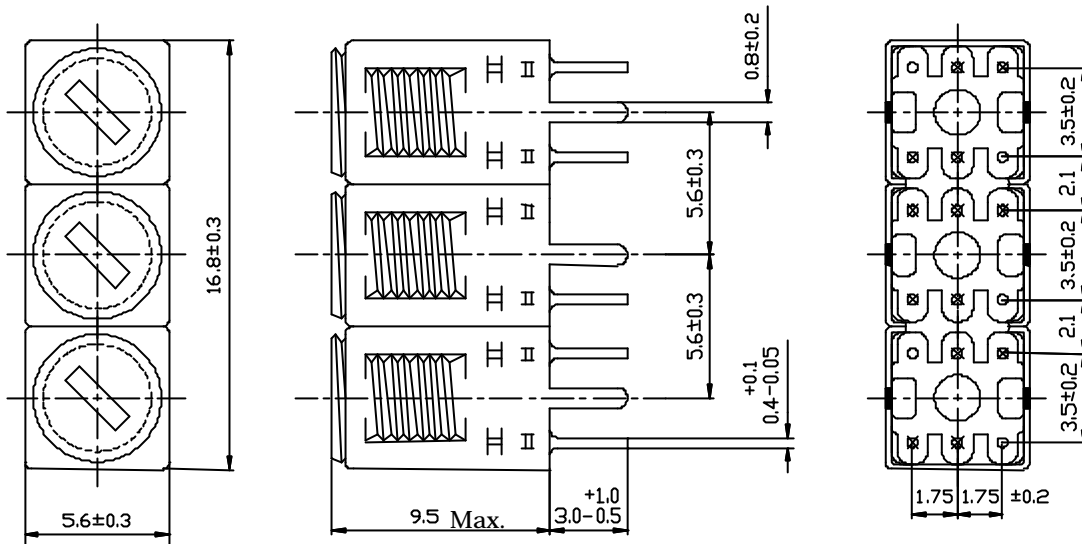
### Product Description

- 17.1 × 5.9mm Max.(L × W), 9.5mm Max. Height.
- Reference operating frequency range:200~1100MHz
- In addition to the reference versions of parameters shown here, custom designs are available to meet your exact requirements

### Feature

- Variable shielded type with three individual coils combined.
- Super high frequency Helical Filters.
- Ideally used in mobile communication equipment(Cellular, cordless telephone, paging devices)
- RoHS Compliance

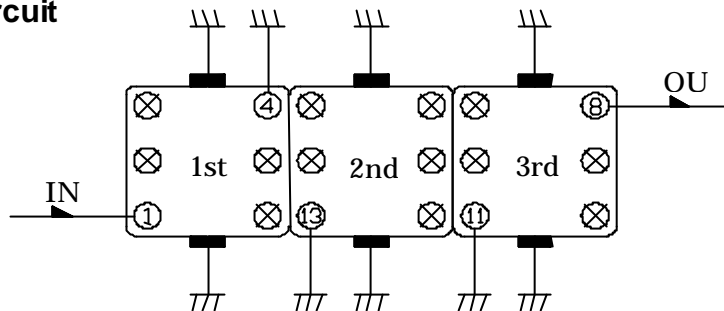
### Dimensions (mm)



\* Dimension does not include solder used on coil.

\* Pin pitch should be measured at the root of terminal.

### Testing circuit



Type: HR-5T

**Specification** (Part No: 2582-T090)

Item		Specification
Input impedance	(Rin)	50Ω
Output impedance	(Rout)	50Ω
Center frequency	Fo	358MHz
Attenuation	Fo-50MHz	32dB Min.
	Fo+50MHz	30dB Min.
Band width	(-3dB)	16MHz Min(24MHz,Typ.)
Insertion loss	358MHz	5.0dB Max.

**Frequency Response** (Attenuation 0dB at 358MHz)
