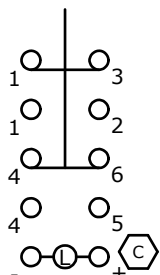
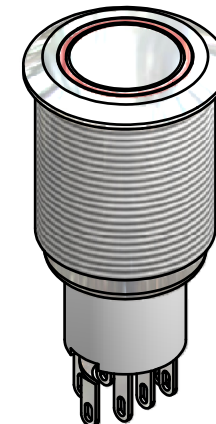
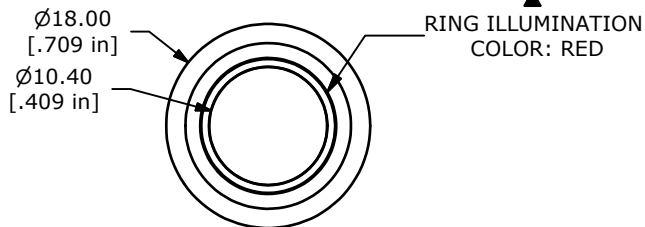


PANEL CUTOUT
MAX. PANEL THICKNESS
14.0mm [.551]

SWITCH FUNCTION	
POS. 1	POS. 2
ON	(ON)
1-3, 4-6	1-2, 4-5

(ON) = MOMENTARY

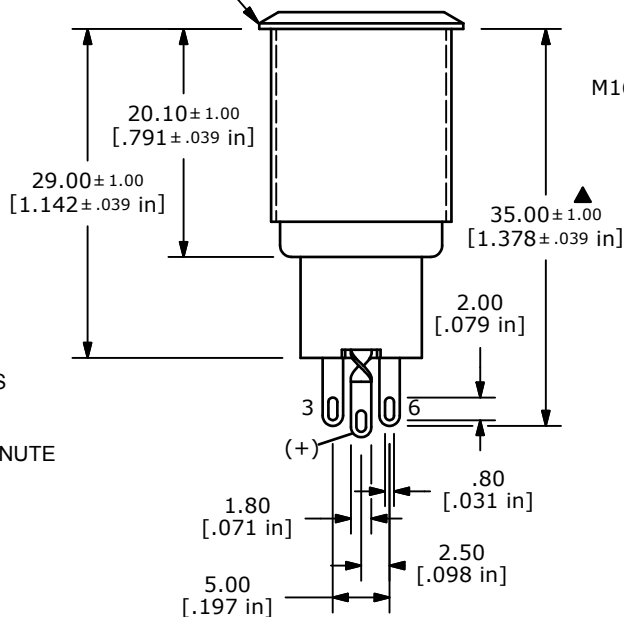


DPDT
CONTACT CONFIGURATION

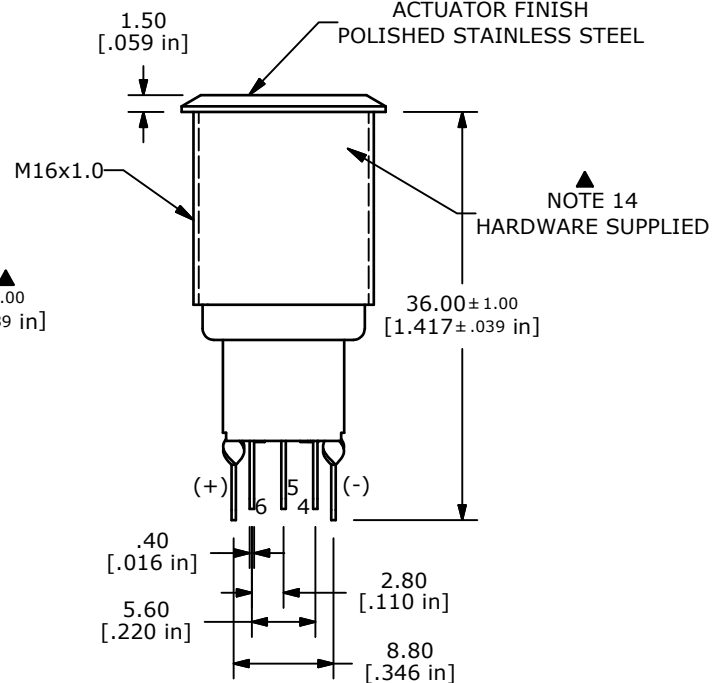
NOTE:

1. ALL DIMENSIONS IN MM [INCH]
2. GENERAL TOLERANCE: X.X=±0.4
X.XX=±0.25
3. TERMINAL NUMBERS FOR REF ONLY
- ▲ 4. CONTACT MATERIAL: SILVER
5. RATING: 2A 48VDC
6. ELECTRIC LIFE: 50,000 MAKE-AND-BREAK CYCLES AT FULL LOAD.
7. INSULATION RESISTANCE: 1,000 MΩ MIN.
8. DIELECTRIC STRENGTH: 2,000 VAC MIN. FOR 1 MINUTE
9. CONTACT RESISTANCE: 50mΩ MAX. @ 1A 12VDC
10. OPERATING TEMP.: -20°C to 55°C
11. ▲ DENOTES CRITICAL PARAMETER.
12. LAMP VOLTAGE: 1.8V
- ▲ 13. ILLUMINATION COLOR: RED
14. HARDWARE SUPPLIED: O-RING AND HEXNUT
- ▲ 15. INGRESS RATING: IP40
16. 2002/95/EC (ROHS) COMPLIANT

▲ BODY FINISH
POLISHED STAINLESS STEEL



▲ ACTUATOR FINISH
POLISHED STAINLESS STEEL



C	20452	CORRECT CONTACT CONFIG.	02/02/12	BMA
B	20423	UPDATE AND CONVERT	01/25/12	BMA
REV	PCR NO	DESCRIPTION	DATE	BY

TITLE PV3F2H0SS-311				
SCALE	DATE	DR	DWG	REV
1.5:1	1/25/2012	BMA	52-PV3F2H0SS311	C

THE INFORMATION CONTAINED IN THIS DOCUMENT IS PROPRIETARY TO E-SWITCH AND IS NOT TO BE COPIED OR TRANSFERRED