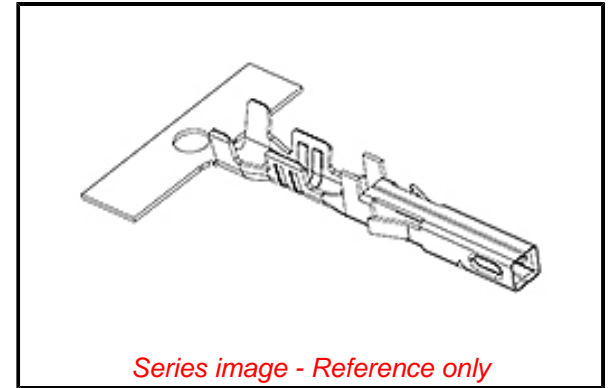


PLEASE CHECK WWW.MOLEX.COM FOR LATEST PART INFORMATION

Part Number: [1727183122](#)
Status: **Active**
Overview: Mini-Fit Jr. Power Connectors
Description: Mini-Fit TPA2 Female Crimp Terminal, Brass, Pre-Plated Tin (Sn), 18-20 AWG, 1.42-2.10mm Insulation Diameter, Bag

Documents:

| | |
|--|--|
| Drawing (PDF) | Packaging Specification PK-172718-0001-000 (PDF) |
| Product Specification PS-172718-0000-001 (PDF) | Test Summary 1727180001-TS-000 (PDF) |
| Application Specification AS-172718-0000-001 (PDF) | RoHS Certificate of Compliance (PDF) |
| Packaging Specification PK-172718-0000-000 (PDF) | |



General

| | |
|----------------------------------|---|
| Product Family | Crimp Terminals |
| Series | 172718 |
| Application | Power |
| Comments | See product specification for current derating information. See Mini-Fit TPA2 housing series for 3D models. |
| Crimp Quality Equipment Overview | Yes |
| Packaging Alternative | Mini-Fit Jr. Power Connectors 172718-3121 (Reel) |
| Product Name | Mini-Fit TPA2 |
| UPC | 889056179508 |

Physical

| | |
|--------------------------------|----------------------|
| Durability (mating cycles max) | 30 |
| Gender | Female |
| Material - Metal | Brass |
| Material - Plating Mating | Tin |
| Material - Plating Termination | Tin |
| Net Weight | 0.210/g |
| Packaging Type | Bag |
| Plating min - Mating | 2.500µm |
| Plating min - Termination | 2.500µm |
| Termination Interface: Style | Crimp or Compression |
| Wire Insulation Diameter | 1.42-2.10mm |
| Wire Size AWG | 18, 20 |
| Wire Size mm² | N/A |

Electrical

| | |
|-------------------------------|------------|
| Current - Maximum per Contact | 9.0A |
| Voltage - Maximum | 600V AC/DC |

Solder Process Data

| | |
|-----------------------------|-----|
| Lead-freeProcess Capability | N/A |
|-----------------------------|-----|

Material Info

Reference - Drawing Numbers

| | |
|---------------------------|--|
| Application Specification | AS-172718-0000-001 |
| Packaging Specification | PK-172718-0000-000, PK-172718-0001-000 |
| Product Specification | PS-172718-0000-001 |
| Sales Drawing | SD-172718-0000-000 |
| Test Summary | 1727180001-TS-000 |

EU ELV

Not Relevant

EU RoHS

Compliant

REACH SVHC

Not Contained Per -ED/01/2018 (15 January 2018)

Halogen-Free

Status

Low-Halogen

Need more information on product environmental compliance?

Email productcompliance@molex.com
Please visit the [Contact Us](#) section for any non-product compliance questions.

| | |
|-----------------|---------------|
| China ROHS | Green Image |
| ELV | Not Relevant |
| RoHS Phthalates | Not Contained |

Search Parts in this Series

[172718 Series](#)

Use With

Mini-Fit TPA2 Receptacle Housings [172708](#), [200453](#)

This document was generated on 04/10/2018

PLEASE CHECK WWW.MOLEX.COM FOR LATEST PART INFORMATION