

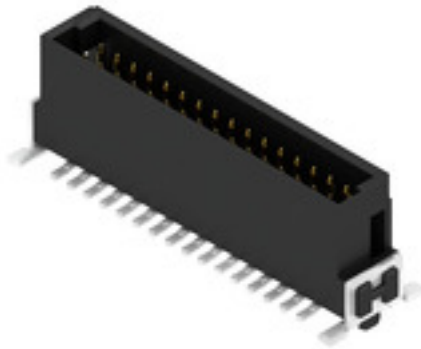
**FMH3 S1/32V F1 B RL****Weidmüller Interface GmbH & Co. KG**

Klingenbergstraße 26

D-32758 Detmold

Germany

www.weidmueller.com

**Product image****OMNIMATE® - Board-to-Board connectors**

Flexible engineering of compact devices

The use of future-proof contact systems, as well as the optimisation of manufacturing processes, are increasingly important in the development of efficient industrial devices, especially in the field of Industry 4.0.

OMNIMATE® board-to-board connectors feature a 1.27 mm pitch and offer maximum flexibility due to different designs.

- **Flexible device design** - Industrial suitable density combined with high flexible connection combinations (Mezzanine, Mother-to-Daughter, Extender-card, Cable-to-Board)
- **Automation-Ready** - Developed for automatic assembly with high precise pin coplanarity and SMT-fixation
- **Reliable contact** - Up to 500 mating cycles due to industry suitable gold-surface (PdNi-Au)
- **Process-Ready** - High performance LCP material for reflow soldering
- **Scalability** - Different heights with high contact overlapping ensure various solutions from 12 – 80 poles.
- **Robust miniaturisation** - simple and safe connection even possible under unfavorable mating conditions – e.g. inclination or offset.

**General ordering data**

Version	PCB plug-in connector, male header, SMD solder connection, Pitch in mm (P): 1.27 mm, Number of poles: 32, 180°, Tape
Order No.	<a href="#">2747110000</a>
Type	FMH3 S1/32V F1 B RL
GTIN (EAN)	4064675001058
Qty.	280 pc(s).
Product data	IEC: / 2.8 A UL:
Packaging	Tape

## FMH3 S1/32V F1 B RL

Weidmüller Interface GmbH &amp; Co. KG

Klingenbergstraße 26

D-32758 Detmold

Germany

www.weidmueller.com

## Technical data

## Dimensions and weights

Depth	7.4 mm	Depth (inches)	0.291 inch
Height	9.1 mm	Height (inches)	0.358 inch
Width	25.4 mm	Width (inches)	1 inch
Net weight	6.254 g		

## System specifications

Product family	OMNIMATE Signal - Board-to-Board	Type of connection	Board connection
Mounting onto the PCB	SMD solder connection	Pitch in mm (P)	1.27 mm
Pitch in inches (P)	0.05 inch	Outgoing elbow	180°
Number of poles	32	Coplanarity:	0.1 mm
Number of rows	1	Pin series quantity	2
Volume resistance	<25 mΩ	Plugging cycles	500
Plugging force/pole, max.	0.5 N	Pulling force/pole, max.	0.5 N

## Material data

Insulating material	LCP	Colour	black
Colour chart (similar)	RAL 9011	Insulating material group	Illa
Moisture Level (MSL)	1	Contact base material	Copper alloy
Contact material	Copper alloy	Layer structure of plug contact	≥ 2 μm Ni / ≥ 0.4 μm PdNi / ≥ 0.05 μm Au
Storage temperature, min.	-40 °C	Storage temperature, max.	70 °C
Operating temperature, min.	-55 °C	Operating temperature, max.	125 °C

## Rated data acc. to IEC

Rated current, min. number of poles (Tu=20°C)	2.8 A	Clearance, min.	0.4 mm
Creepage distance, min.	0.4 mm		

## Rated data acc. to UL 1059

Institute (cURus)		Certificate No. (cURus)	E92202
Reference to approval values	Specifications are maximum values, details - see approval certificate.		

## Packing

Packaging	Tape	VPE length	0 m
VPE width	0 m	VPE height	0 m

## Classifications

ETIM 6.0	EC002637	ETIM 7.0	EC002637
ETIM 8.0	EC002637	ECLASS 9.0	27-44-04-02
ECLASS 9.1	27-44-04-02	ECLASS 10.0	27-44-04-02
ECLASS 11.0	27-46-02-01		

**Data sheet**

**FMH3 S1/32V F1 B RL**

**Weidmüller Interface GmbH & Co. KG**  
 Klingenbergstraße 26  
 D-32758 Detmold  
 Germany

www.weidmueller.com

**Technical data**

**Important note**

IPC conformity	Conformity: The products are developed, manufactured and delivered according international recognized standards and norms and comply with the assured properties in the data sheet resp. fulfill decorative properties in accordance with IPC-A-610 "Class 2". Further claims on the products can be evaluated on request.
Notes	<ul style="list-style-type: none"> <li>• Long term storage of the product with average temperature of 50 °C and average humidity 70%, 36 months</li> </ul>

**Approvals**

Approvals



ROHS	Conform
UL File Number Search	E92202

**Downloads**

Engineering Data	<a href="#">STEP</a>
Catalogues	<a href="#">Catalogues in PDF-format</a>

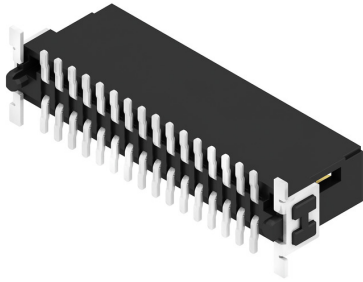
**FMH3 S1/32V F1 B RL**

**Weidmüller Interface GmbH & Co. KG**  
 Klingenbergstraße 26  
 D-32758 Detmold  
 Germany

www.weidmueller.com

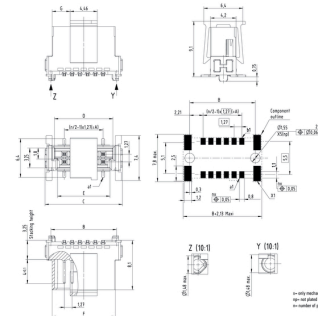
**Drawings**

**Product image**

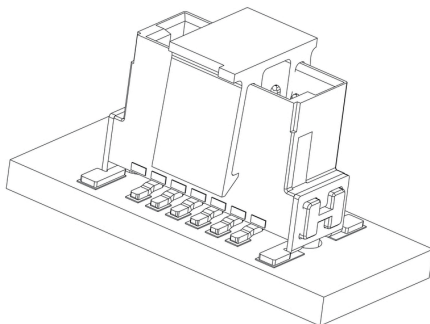


**Dimensional drawing**

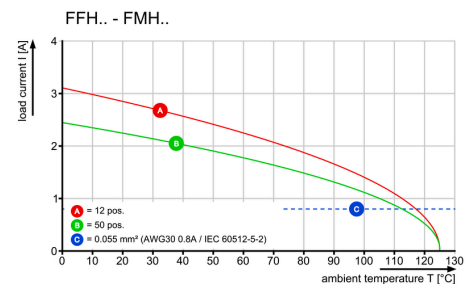
Type	Order no.	No. of poles	A	B	C	D	E	F	G
FMH3 S1/12V F1 B RL	234700000	12	6,35	16,77	12,7	6,35	6,35	10,16	2,54
FMH3 S1/16V F1 B RL	234710000	16	6,35	19,31	15,24	6,35	6,35	12,70	4,29
FMH3 S1/20V F1 B RL	234720000	20	6,35	21,85	17,78	6,35	6,35	15,24	5,08
FMH3 S1/24V F1 B RL	234730000	24	6,35	24,39	20,31	6,35	6,35	17,78	5,83
FMH3 S1/28V F1 B RL	234740000	28	6,35	26,93	22,84	6,35	6,35	20,31	6,57
FMH3 S1/32V F1 B RL	234750000	32	6,35	29,47	25,37	6,35	6,35	22,84	7,32
FMH3 S1/36V F1 B RL	234760000	36	6,35	32,01	27,90	6,35	6,35	25,37	8,07
FMH3 S1/40V F1 B RL	234770000	40	6,35	34,55	30,43	6,35	6,35	27,90	8,82
FMH3 S1/44V F1 B RL	234780000	44	6,35	37,09	32,96	6,35	6,35	30,43	9,57
FMH3 S1/48V F1 B RL	234790000	48	6,35	39,63	35,49	6,35	6,35	32,96	10,32
FMH3 S1/52V F1 B RL	234800000	52	6,35	42,17	38,02	6,35	6,35	35,49	11,07
FMH3 S1/56V F1 B RL	234810000	56	6,35	44,71	40,55	6,35	6,35	38,02	11,82
FMH3 S1/60V F1 B RL	234820000	60	6,35	47,25	43,08	6,35	6,35	40,55	12,57
FMH3 S1/64V F1 B RL	234830000	64	6,35	49,79	45,61	6,35	6,35	43,08	13,32
FMH3 S1/68V F1 B RL	234840000	68	6,35	52,33	48,14	6,35	6,35	45,61	14,07
FMH3 S1/72V F1 B RL	234850000	72	6,35	54,87	50,67	6,35	6,35	48,14	14,82



**Detailed drawing**



**Derating curve**

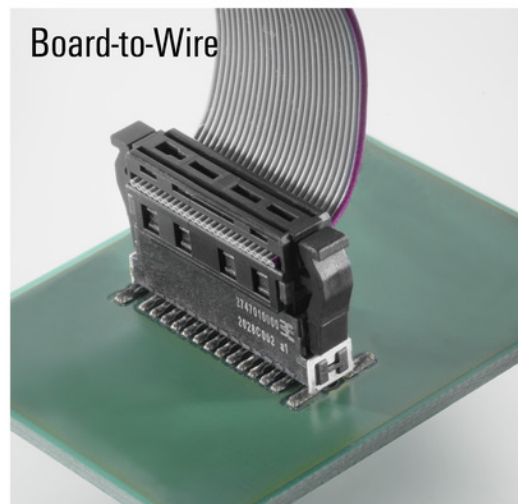
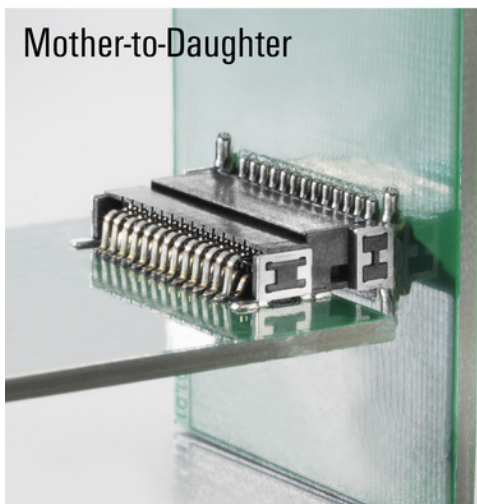
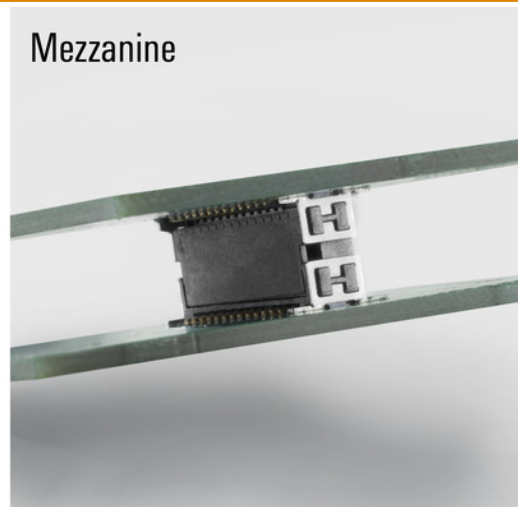
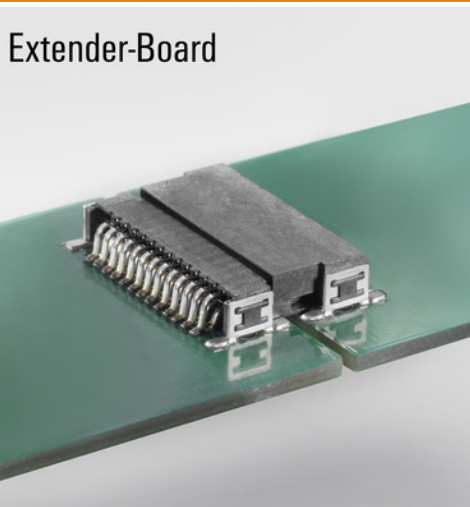


**FMH3 S1/32V F1 B RL**

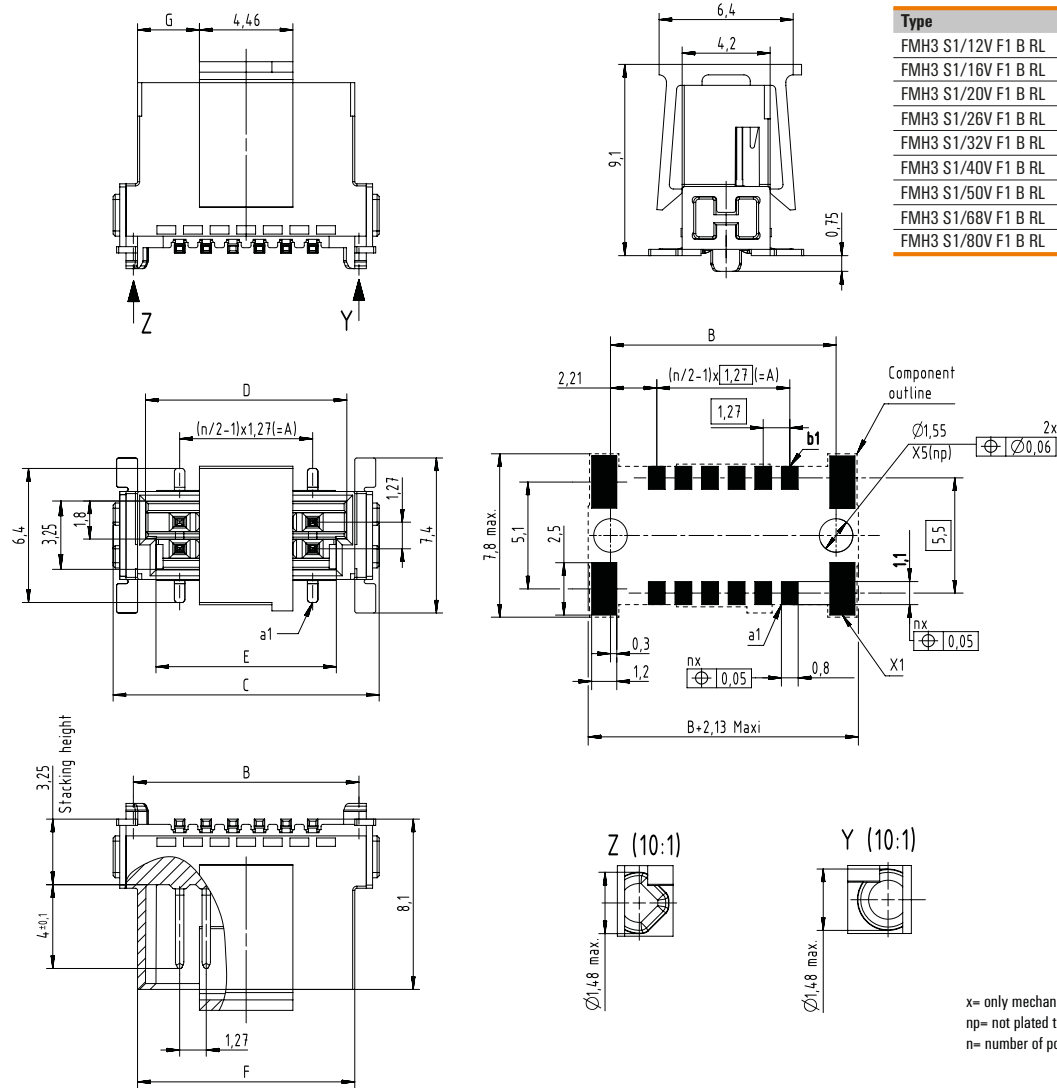
**Weidmüller Interface GmbH & Co. KG**  
Klingenbergstraße 26  
D-32758 Detmold  
Germany

[www.weidmueller.com](http://www.weidmueller.com)

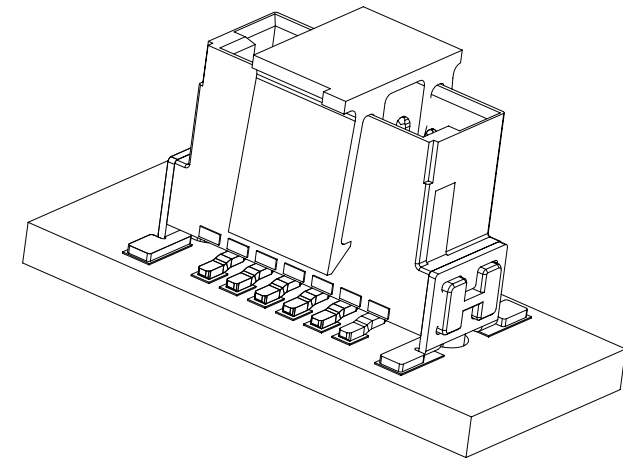
**Drawings**



FMH3 S1/..V F1 B RL



Type	Order no.	No. of poles	A	B	C	D	E	F	G
FMH3 S1/12V F1 B RL	2747070000	12	6,35	10,77	12,7	9,57	8,57	10,37	2,96
FMH3 S1/16V F1 B RL	2747080000	16	8,89	13,31	15,24	12,11	11,11	12,91	4,23
FMH3 S1/20V F1 B RL	2747090000	20	11,43	15,85	17,78	14,65	13,65	15,45	5,5
FMH3 S1/26V F1 B RL	2747100000	26	15,24	19,66	21,59	18,46	17,46	19,26	7,4
FMH3 S1/32V F1 B RL	2747110000	32	19,05	23,47	25,4	22,27	21,27	23,07	9,31
FMH3 S1/40V F1 B RL	2747120000	40	24,13	28,55	30,48	27,35	26,35	28,15	11,85
FMH3 S1/50V F1 B RL	2747130000	50	30,48	34,9	36,83	33,7	32,7	34,5	15,02
FMH3 S1/68V F1 B RL	2747140000	68	41,91	46,33	48,26	45,13	44,13	45,93	20,74
FMH3 S1/80V F1 B RL	2747150000	80	49,53	53,95	55,88	52,75	51,75	53,55	24,55

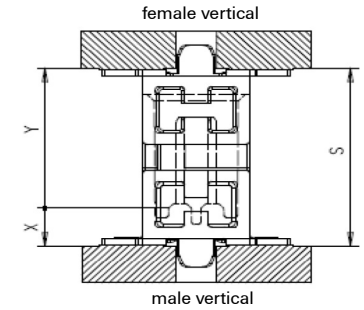
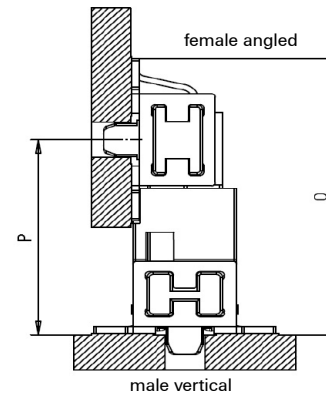


x= only mechanical  
 np= not plated thru hole  
 n= number of poles

## Male vertical - FMH1 | FMH3

### Application - dimensions

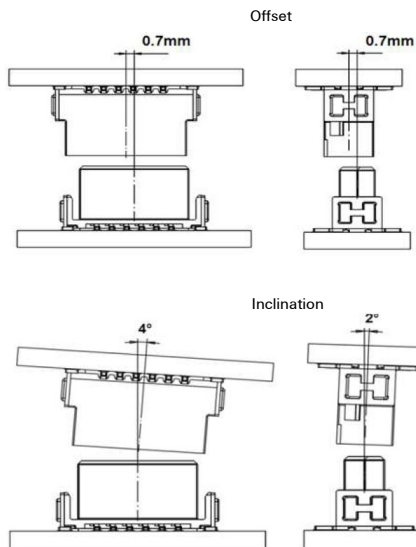
	14 mm				
	13 mm				
	12 mm				
	11 mm				
	10 mm				
	9 mm				
	8 mm				
X	stacking	male 1,75mm	male 3,25mm	male 1,75mm	male 3,25mm
Y	heights	female 6,25mm	female 6,25mm	female 9,05mm	female 9,05mm
S	PCB distance	8mm - 9,5mm	9,5mm - 11mm	10,8mm - 12,3mm	12,3mm - 13,8mm
	Type	FMH1.. FFH6..	FMH3.. FFH6..	FMH1.. FFH9..	FMH3.. FFH9..



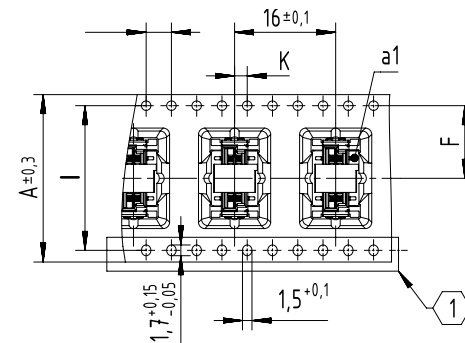
X	Y	S min.	*S max.	P min.	O
3,25	9,05	12,3	13,8	-	-
1,75	9,05	10,8	12,3	-	-
3,25	6,25	9,5	11	-	-
1,75	6,25	8	9,5	-	-
3,25	-	-	-	10,25	14,08
1,75	-	-	-	8,75	12,58

\*S max. = S min. + 1,15 wiping length with additional contact overlap security

### Mating conditions

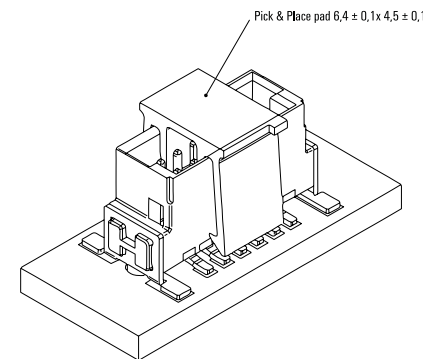


### Tape - dimensions

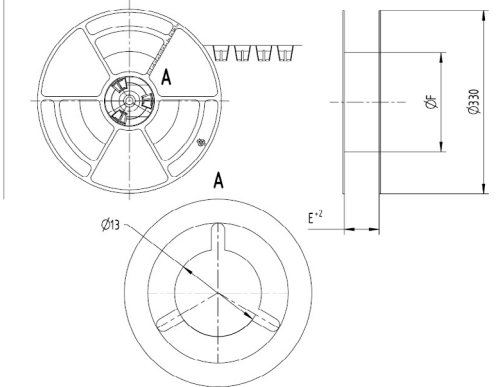


Tape dimensions	A	F	I	K
Pole 12	24,0	11,5 ± 0,1	-	2 ± 0,1
Poles 14 to 20	32,0	14,2 ± 0,1	28,4	2 ± 0,1
Poles 22 to 40	44,0	20,2 ± 0,15	40,2	2 ± 0,15
Poles 42 to 56	56,0	26,2 ± 0,15	52,4	2 ± 0,15
Poles 58 to 80	72,0	34,2 ± 0,3	68,4	2 ± 0,2

① No double sprocket holes for 12 pole numbers (tape size 24)



### Reel - dimensions



Reel dimensions	E	F
Pole 12	24,4	178mm for stacking height 1,75mm & 3,25mm
Poles 14 to 20	32,4	
Poles 22 to 40	44,4	
Poles 42 to 56	56,4	
Poles 58 to 80	72,4	

## Recommended reflow soldering profile

**Weidmüller Interface GmbH & Co. KG**  
 Klingenbergstraße 16  
 D-32758 Detmold  
 Germany  
 Fon: +49 5231 14-0  
 Fax: +49 5231 14-292083  
 www.weidmueller.com



### Reflow soldering profile

The perfect soldering profile for SMT Surface Mount Technology is one the most exiting question in SMT production. But there are more than one correct answer: The diagram of temperature-on-time is related to processing features of solder paste and to maximum load of components.

We have to consider the following parameters:

- Time for pre heating
- Maximum temperature
- Time above melting point
- Time for cooling
- Maximum heating rate
- Maximum cooling rate

We recommend a typical solder profile with associated process limits. With preheating components and board are prepared smoothly for the solder phase. Heating rate is typically  $\leq +3\text{K/s}$ . In parallel the solder paste is ‚activated‘. The time above melting point of 217°C the paste gets liquid and components and boards begin to connect. The maximum temperature of 245°C to 254°C should stay between 10 and 40 seconds. In the cooling phase at  $\geq -6\text{K/s}$  solder is cured. Board and components cool down while avoiding cold cracks.