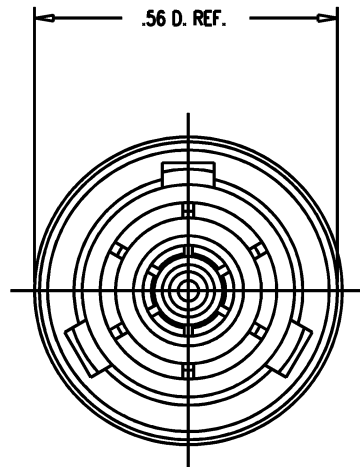
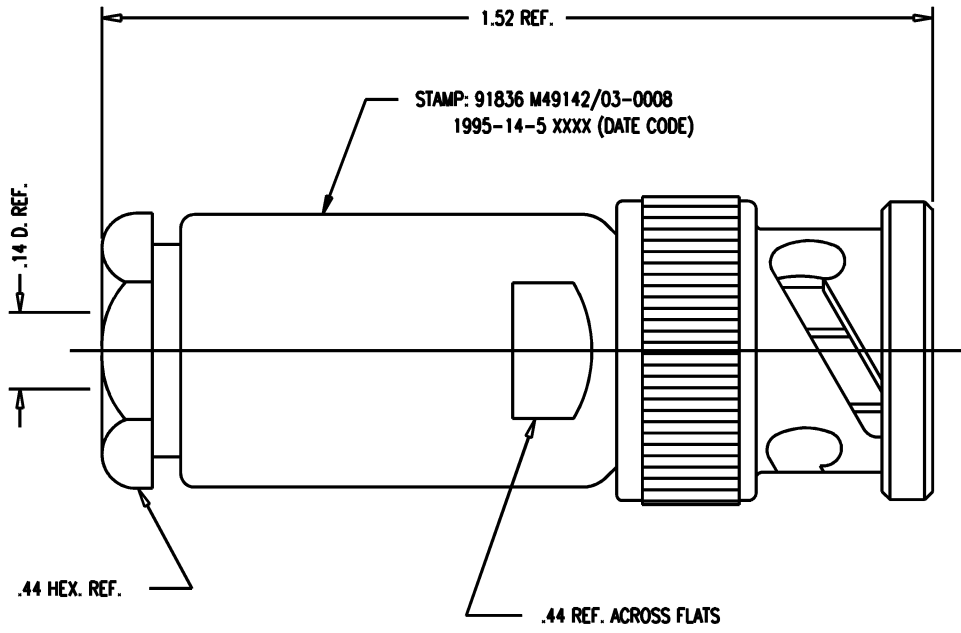


DASH NO.	M CODE	MADE FROM
----------	--------	-----------

GSD

M49142/03-0008

REVISIONS	
ISSUE	CHANGES
4	CN 34824 C REDRAWN KH 08/04/93
5	CN 36083 C ME 02/06/95



NOTES:

- FOR USE WITH M17/176-00002 CABLE.
- FOR CABLING INSTRUCTIONS SEE 3-395.
- INTERFACE PER MIL-STD-348, FIG. 201-1
- MATERIALS:
 - INSULATORS-TEFLON, ASTM-D-1457
 - GASKET } SILICONE RUBBER, ZZ-R-765
 - O-RINGS }
 - SPRING WASHER } BERYLLIUM COPPER, ASTM-B-196
 - INTERMEDIATE CONTACT }
 - OUTER CONTACT }
 - ALL OTHER METAL PARTS-BRASS, ASTM-B16
- FINISHES:
 - CENTER CONTACT-GOLD PLATE PER MIL-G-45204
 - ALL OTHER METAL PARTS-SILVER PLATE PER QQ-S-365

6. ELECTRICAL CHARACTERISTICS:
WORKING VOLTAGE-400 VRMS

KAM2962

SCALE	4:1	
APPROX SURFACE AREA	1995-14-5	
USED ON	REF:	
PLUG, TRB		
DRAWN	KH	08/04/93
DESIGN	MJB	08/05/93
APPR.		DATE

GSD

KINGS ELECTRONICS CO., INC. TUCKAHOE, NEW YORK 10707		
M49142/03-0008		