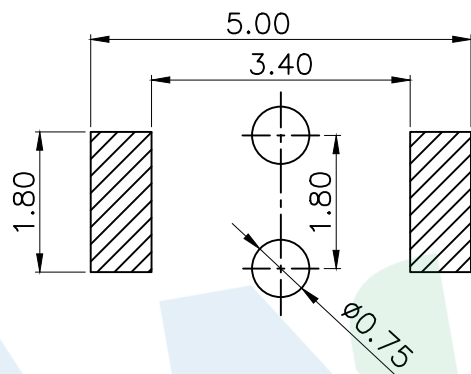
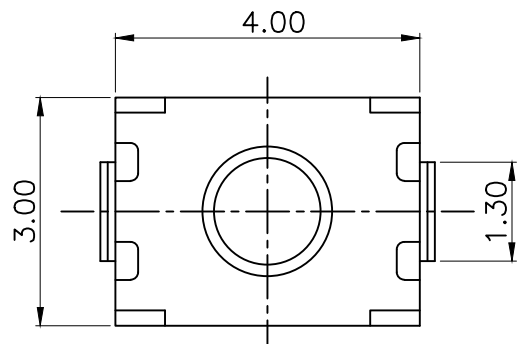
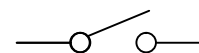


RoHS



PCB Layout(Pattern side)

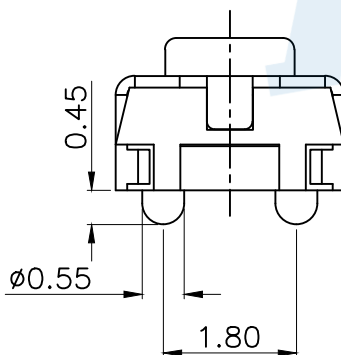
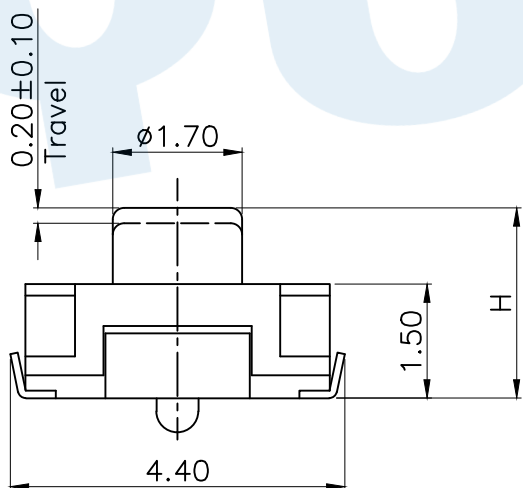
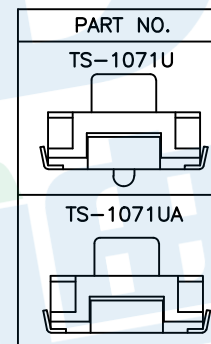


Circuit Diagram

TOTAL HEIGHT	
CODE	H
A1	2.0
A2	2.5

OPERATING FORCE	
CODE	VIGOR
B2	180±30gf
B3	250±30gf

SHRAPNEL	
CODE	MATERIAL/QTY
D2	SUS/1PCS
D4	SUS/2PCS



NO.	Name	Number	Qty	Materil	Remarks
Ⓕ	Dust film		1	Polyimide tape	
Ⓖ	Terminal		2	Phosphorus bronze	Silvering
Ⓓ	Reed		2	SUS	Silver covered
Ⓒ	Button		1	LCP	Black
Ⓑ	Cover		1	SUS	Natural
Ⓐ	Base		1	LCP	Black

YUANDI® Yuandi Electronics Co, Ltd

design	date	name	TACT SWITCHS
Review	date		
Approved	date	name	TS-1071U-A□B□-D□

Drawing number: Proportion 1:1 unit mm gage number A4

modify Review Approved Tolerance not specified

angle	±2'
10~30	±0.30
5~10	±0.20
~ 5	±0.10