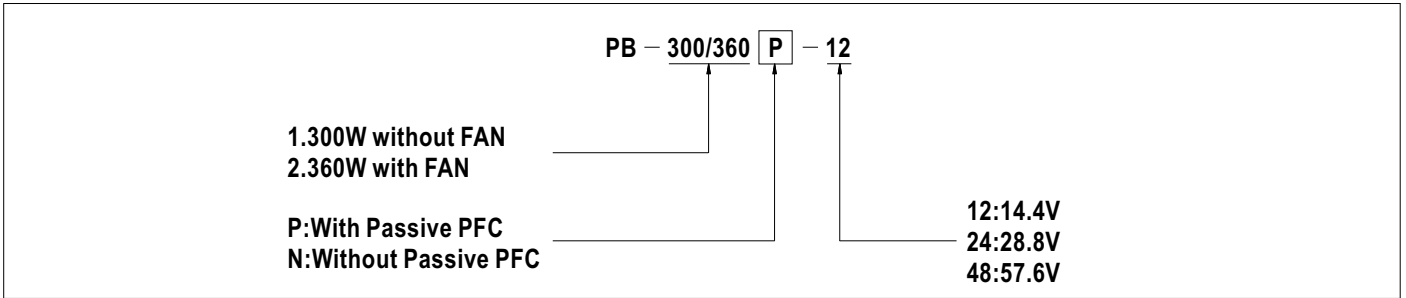
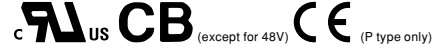




■ Features :

- 3 stage charging
- AC 115/230VAC selected by switch
- Built-in passive PFC function compliance to EN61000-3-2 Class A (option)
- Protection: Overload / Short circuit / Reverse polarity / Over voltage / Over temperature
- Charger for lead-acid batteries
- 2 color LED loading indicator
- Low cost, High reliability
- FAN on/off control(Depends on charging current)
- 2 years warranty

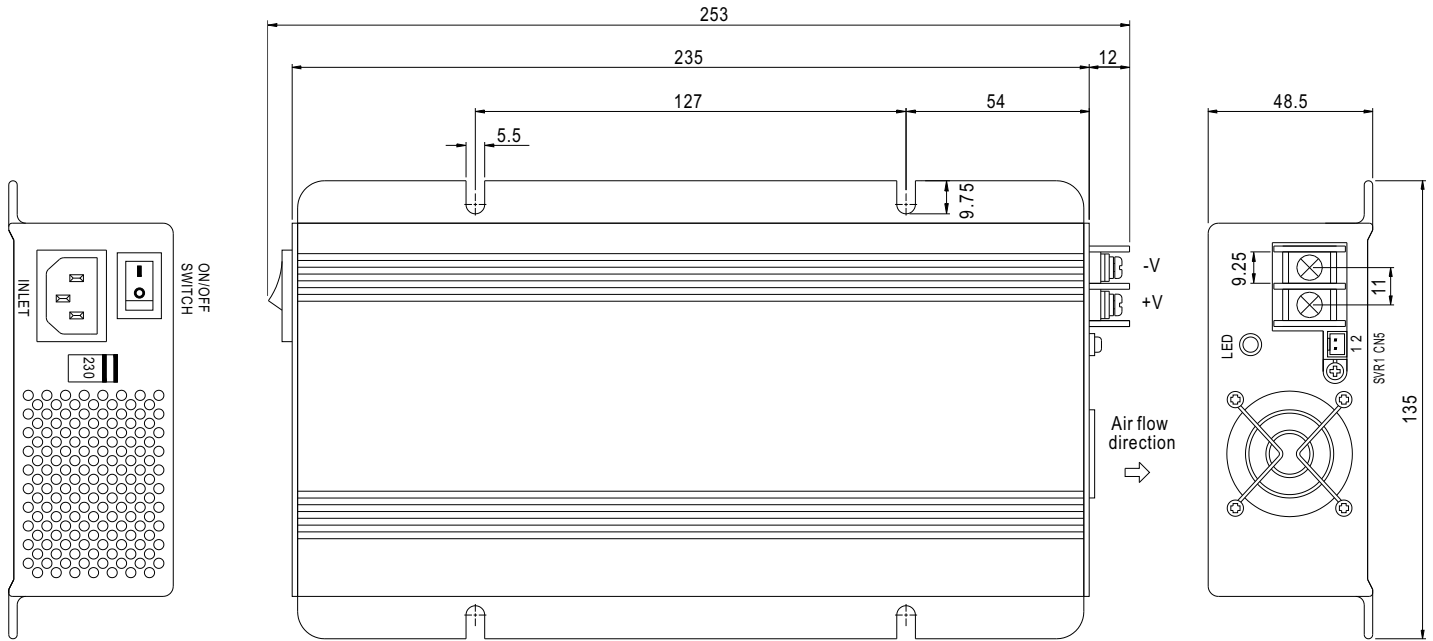


**SPECIFICATION**

| MODEL                 | PB-360□-12                                      | PB-360□-24   | PB-360□-48     |                |
|-----------------------|---|--|----------------|----------------|
| OUTPUT                | BOOST CHARGE VOLTAGE                            | 14.4V  | 28.8V          | 57.6V          |
|                       | FLOAT CHARGE VOLTAGE                            | 13.6V  | 27.2V          | 54.4V          |
|                       | VOLTAGE ADJUSTABLE RANGE                        | 13 ~ 14.7V   | 26 ~ 28.8V     | 52 ~ 58.6V     |
|                       | RECOMMENDED BATTERY CAPACITY(AMP HOURS)(Note 5) | 80 ~ 200Ah   | 40 ~ 125Ah     | 20 ~ 65Ah      |
|                       | BATTERY TYPE                                    | Open & Sealed Lead Acid  |                |                |
|                       | OUTPUT CURRENT                                  | 24.3A  | 12.5A          | 6.25A          |
| INPUT                 | VOLTAGE RANGE                                   | 90 ~ 132VAC / 180 ~ 264VAC selected by switch  |                | 248 ~ 370VDC   |
|                       | FREQUENCY RANGE                                 | 47 ~ 63Hz  |                |                |
|                       | EFFICIENCY (Typ.)                               | 85%  | 86%            | 87%            |
|                       | POWER FACTOR (Typ.)                             | >0.65 (with P type) at 230VAC  |                |                |
|                       | AC CURRENT (Typ.)                               | 7A/115VAC  | 3.5A/230VAC    |                |
|                       | INRUSH CURRENT (Typ.)                           | COLD START 60A   |                |                |
|                       | LEAKAGE CURRENT                                 | <3.5mA / 240VAC  |                |                |
| PROTECTION            | OVERLOAD  | 90 ~ 110% rated output current<br>Protection type : Constant current limiting, recovers automatically after fault condition is removed   |                |                |
|                       | SHORT CIRCUIT                                   | O/P Built in fuse (FS100) to protect short circuit condition, shut down o/p voltage and can not re-power on  |                |                |
|                       | REVERSE POLARITY                                | By internal fuse   |                |                |
|                       | OVER VOLTAGE                                    | 16 ~ 18V   | 31 ~ 35V       | 59 ~ 64V       |
|                       | OVER TEMPERATURE                                | Protection type : Automatically derate charge current until zero   |                |                |
| FUNCTION              | REMOTE CONTROL (CN5)                            | Open: Normal work    Short: Stop Charging  |                |                |
| ENVIRONMENT           | WORKING TEMP.                                   | -20 ~ +60°C (Refer to output load derating curve)  |                |                |
|                       | WORKING HUMIDITY                                | 20 ~ 90% RH non-condensing   |                |                |
|                       | STORAGE TEMP., HUMIDITY                         | -40 ~ +85°C, 10 ~ 95% RH   |                |                |
|                       | TEMP. COEFFICIENT                               | ±0.05%/°C (0 ~ 45°C)   |                |                |
|                       | VIBRATION                                       | 10 ~ 500Hz, 2G 10min./1cycle, 60min. each along X, Y, Z axes   |                |                |
| SAFETY & EMC (Note 4) | SAFETY STANDARDS                                | IEC60335-2-29 CB approved by TUV(except for 48V), UL60950-1 approved   |                |                |
|                       | WITHSTAND VOLTAGE                               | I/P-O/P:3KVAC  | I/P-FG:1.5KVAC | O/P-FG:0.5KVAC |
|                       | ISOLATION RESISTANCE                            | I/P-O/P, I/P-FG, O/P-FG:100M Ohms / 500VDC / 25°C / 70% RH   |                |                |
|                       | EMI CONDUCTION & RADIATION                      | Compliance to EN55022 (CISPR22) Class B  |                |                |
|                       | HARMONIC CURRENT                                | Compliance to EN61000-3-2,-3 (only P type)   |                |                |
| OTHERS                | EMS IMMUNITY                                    | Compliance to EN61000-4-2,3,4,5,6,8,11; ENV50204, EN55024, light industry level, criteria A  |                |                |
|                       | MTBF  | 115.8Khrs min. MIL-HDBK-217F (25°C)  |                |                |
|                       | DIMENSION                                       | 253*135*48.5mm(L*W*H)  |                |                |
| NOTE                  | PACKING   | 1.5Kg; 6pcs/10Kg/0.95CUFT  |                |                |
|                       |   | 1. All parameters NOT specially mentioned are measured at 230VAC input, rated load and 25°C of ambient temperature.<br>2. Ripple & noise are measured at 20MHz of bandwidth by using a 12" twisted pair-wire terminated with a 0.1uf & 47uf parallel capacitor.<br>3. Tolerance : includes set up tolerance, line regulation and load regulation.<br>4. The power supply is considered a component which will be installed into a final equipment. The final equipment must be re-confirmed that it still meets EMC directives.<br>5. This is Mean Well's suggested range. Please consult your battery manufacturer for their suggestions about maximum charging current limitation. |                |                |

## Mechanical Specification

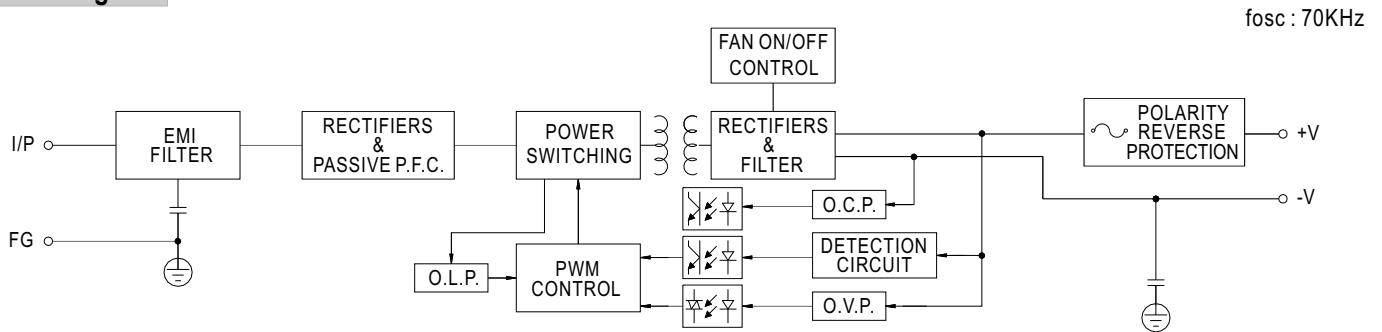
Case No.801A Unit:mm



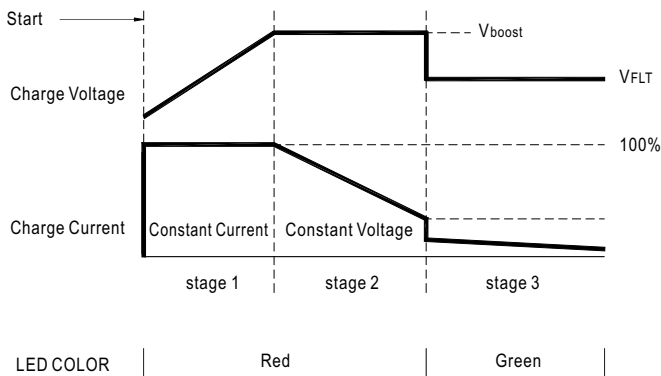
Remote Control(CN5) : JST B2B-XH or equivalent

| Assignment                  | Mating Housing        | Terminal                        |
|-----------------------------|-----------------------|---------------------------------|
| PIN1,2 Open: Normal work    | JST XHP or equivalent | JST SXH-001T-P0.6 or equivalent |
| PIN1,2 Short: Stop Charging |                       |                                 |

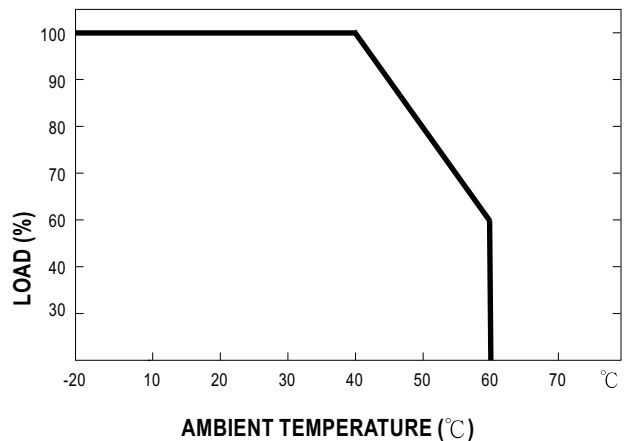
## Block Diagram



## Charging Curve



## Output Load VS Temperature



| State  | PB-360-12 | PB-360-24 | PB-360-48 |
|--------|-----------|-----------|-----------|
| Vboost | 14.4V     | 28.8V     | 57.6V     |
| VFLT   | 13.6V     | 27.2V     | 54.4V     |