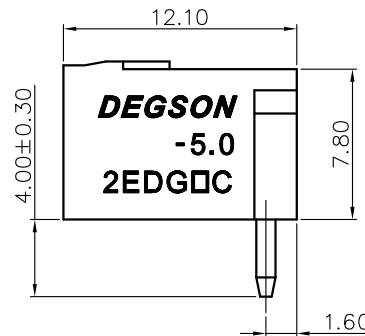
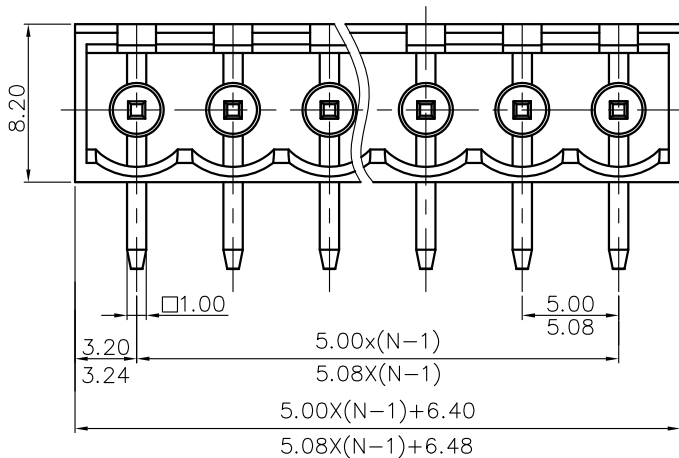
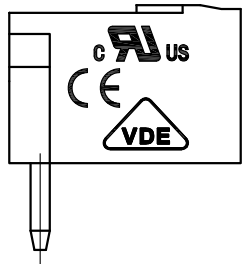


REVISION RECORD				
REV	ECN	DESCRIPTION	DRFT	DATE



NOTES1:

UL Standard

- 1. Rated voltage/current : 300V / 15A
- 2. Withstanding voltage : AC1600V/1Min.

IEC Standard

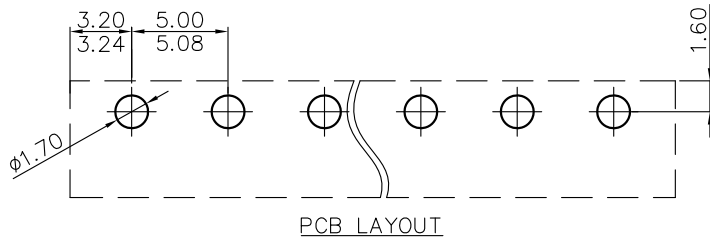
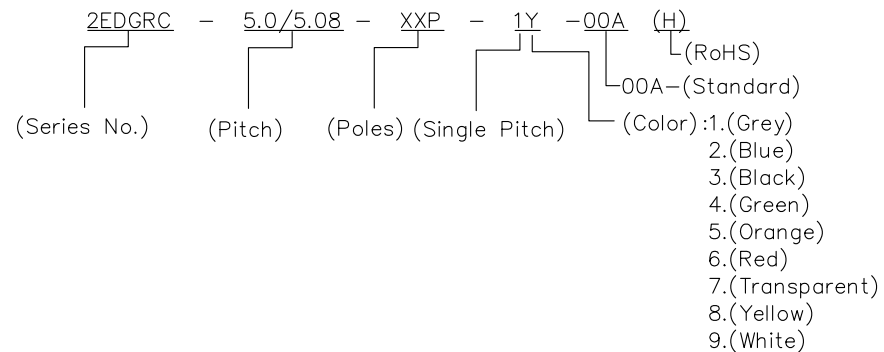
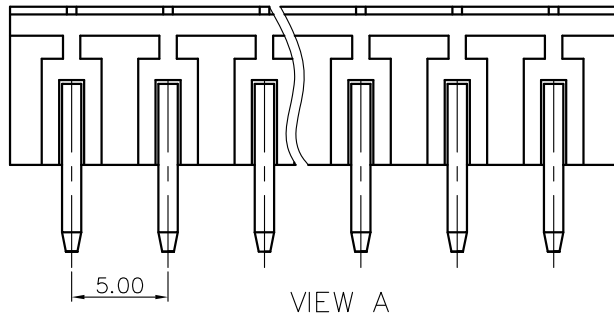
A 1.	
Pollution degree	2
Overtoltage category	III
Rate impulse voltage(KV)	4.0KV
Rate voltage(V)	320V
Rate current(A)	20A

NOTES2:

- 1. Dimension shall be interpreted per ASME Y14.5-2009
- 2. Pitch : 5.00/5.08mm, Poles : N=02~24P
- 3. Operating temperature: -40°C~+105°C
- 4. Undimensioned tolerances:

Pitch range in mm		Nominal dimension range in mm				—	∩	∠
TO	Over	Over	Over	Over	Over	0.1/10	∩	∠
6	6 TO 10	10 TO 24	30 TO 60	60 TO 100	100 TO 150	150	∩	∠
±0.15	±0.20	±0.30	±0.30	±0.50	±0.70	±1.00	±1.30	±2'

5. RoHS Compliance



DETACHED LISTS	PART NO.:	宁波高松电子有限公司 NINGBO DEGSON ELECTRICAL CO., LTD			
	APPD:	NAME: 2EDGRC-5.0/5.08-XXP-1Y-00A(H)			
	CHKD:	TITLE: CUSTOMER DRAWING			
	DRFT:	DRAWING NO.:		REV	DO
THIRD ANGLE PROJECTION		MM (INCH)	DO NOT SCALE DRAWING	SHEET 1/1	SCALE 1:1