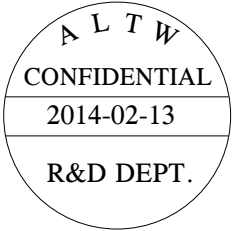
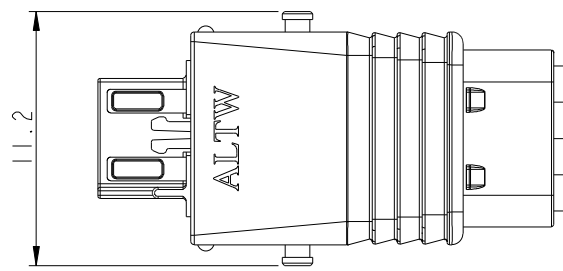
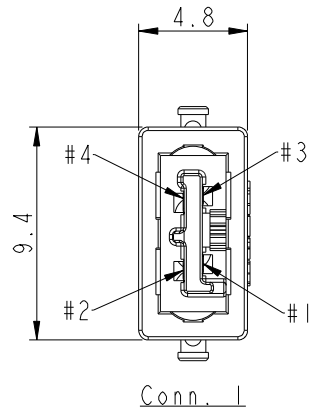
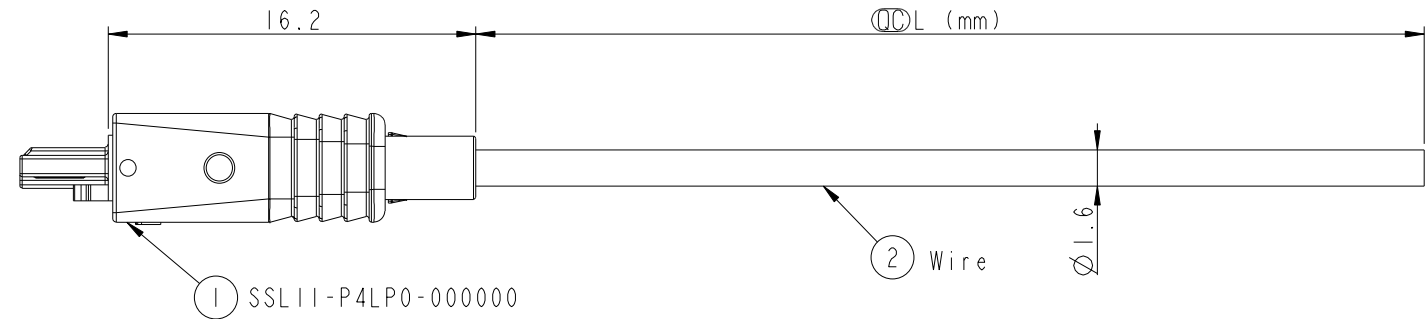


THIS DOCUMENT IS SUBJECT TO CHANGE WITHOUT NOTICE. IT IS CONFIDENTIAL AND A PROPERTY OF AMPHENOL LTW. DISCLOSURE TO THIRD PARTY HAS TO BE AUTHORIZED BY AMPHENOL LTW.

| | | | | |
|------|-----------------|------------|--------|-----------------|
| REV. | ECN NO. | DATE | SIGN | DESCRIPTION |
| A | Initial Release | 2014-02-13 | Fisher | Initial Release |



| |
|--------|
| Yellow |
| Orange |
| Red |
| Brown |

SSLII-P4LP0-022AXX

- 01: L=100±20 mm.
- 02: L=200±20 mm.
- 04: L=400±25 mm.
- Standard Length is 400mm
- Wire Length Range(L): 100~9900mm
- 22: 22AWG
- LOCK&LATCH OPTION
- 0: W/O LOCK

- Notes:
- * (C) Important Dimensions To Check.
 - * Housing: Thermoplastic, UL94V-0, Natural White.
 - * Terminal: Copper Alloy, Gold Plated.
 - * Hood: Thermoplastic, UL94V-0, Natural White.
 - * SR Mold: PP, UL94V-0, Natural White.
 - * Wire: UL1430 22AWG, Brown/Red/Orange/Yellow
 - * Wire Length Tolerance: ±5%mm.

| | | |
|---------|------------|---|
| 4 | Yellow | 黄 |
| 3 | Orange | 橙 |
| 2 | Red | 红 |
| 1 | Brown | 棕 |
| Conn. 1 | Wire Color | |
| Pin Out | | |

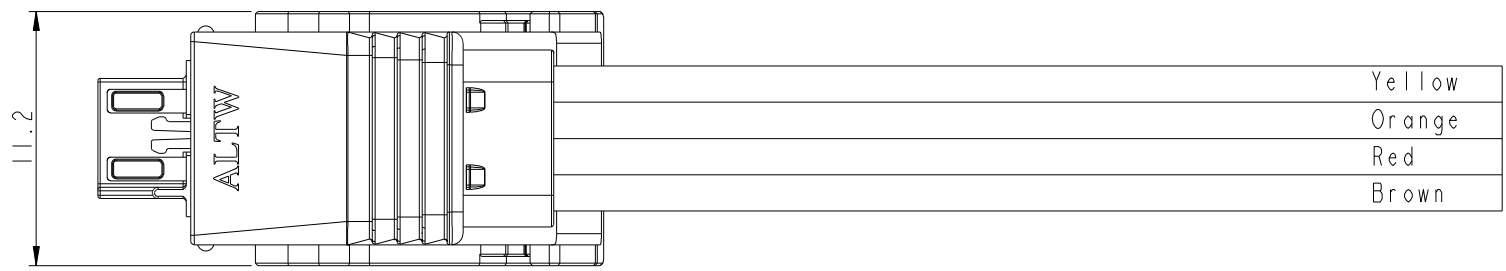
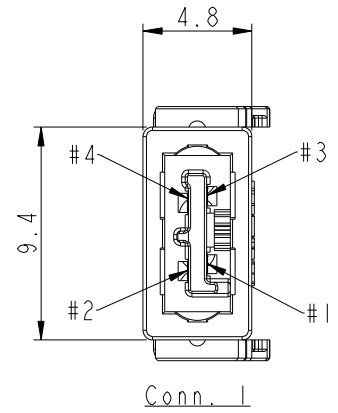
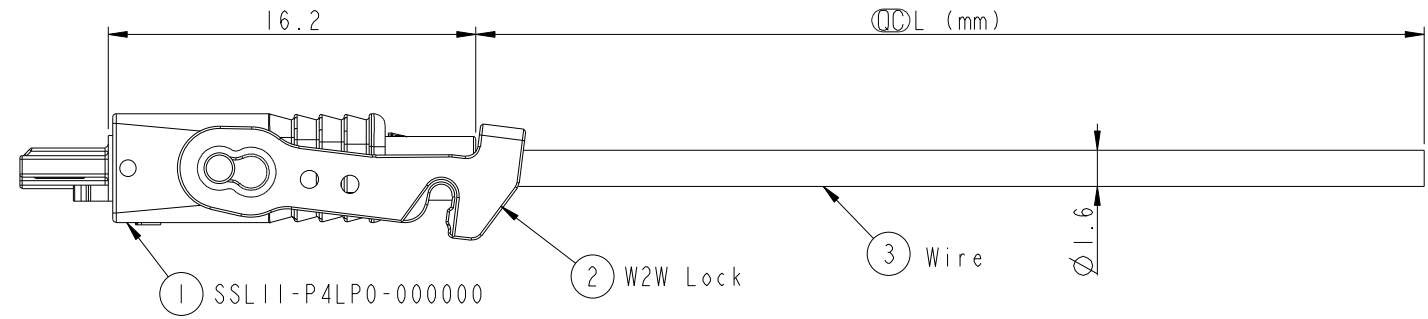
| | | | |
|------------|------------|-----------|----------------------------|
| UNIT:mm | | | TITLE |
| TOLERANCE | .X ±0.25 | .XX ±0.1 | SSLII WIRE ASS'Y, W/O LOCK |
| .XXX ±0.05 | ANGLES ±1° | SCALE 3:1 | 4-POS, PLUG TO OPEN |
| | | SIZE A4 | SHEET 1 OF 1 |
| | | REV. A | WC-REV. A.1 |
| | | | (C) Inspection item |

Amphenol LTW
安費諾亮泰企業股份有限公司

| | | |
|----------|-------------|------------|
| ITEM NO | DRAWN BY | DATE |
| DWG NO | CHECKED BY | DATE |
| CUSTOMER | APPROVED BY | DATE |
| ALTW | Fisher_Wang | 2014-02-13 |
| | Ivan_Lin | 2014-02-13 |
| | Kevin_Hu | 2014-02-13 |

THIS DOCUMENT IS SUBJECT TO CHANGE WITHOUT NOTICE. IT IS CONFIDENTIAL AND A PROPERTY OF Amphenol LTW. DISCLOSURE TO THIRD PARTY HAS TO BE AUTHORIZED BY Amphenol LTW.

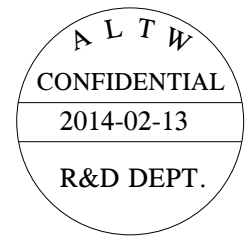
| | | | | |
|------|-----------------|------------|--------|-----------------|
| REV. | ECN NO. | DATE | SIGN | DESCRIPTION |
| A | Initial Release | 2014-02-13 | Fisher | Initial Release |



SSLII-P4LP0-W22AXX

| | | |
|---------|------------|---|
| 4 | Yellow | 黃 |
| 3 | Orange | 橙 |
| 2 | Red | 紅 |
| 1 | Brown | 棕 |
| Conn. I | Wire Color | |
| Pin Out | | |

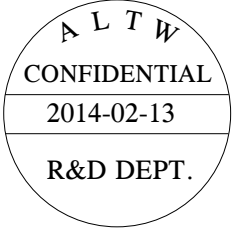
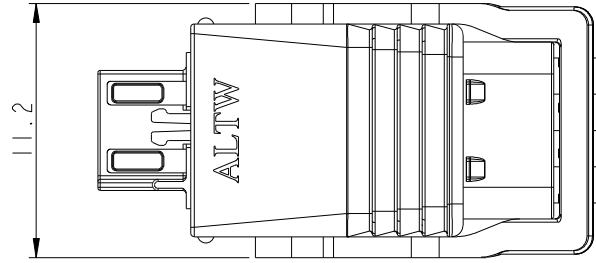
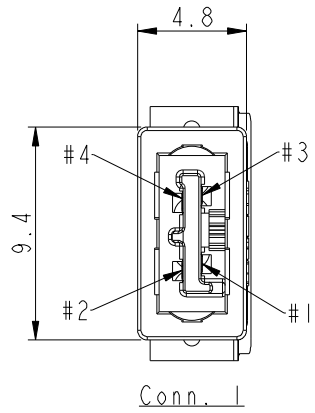
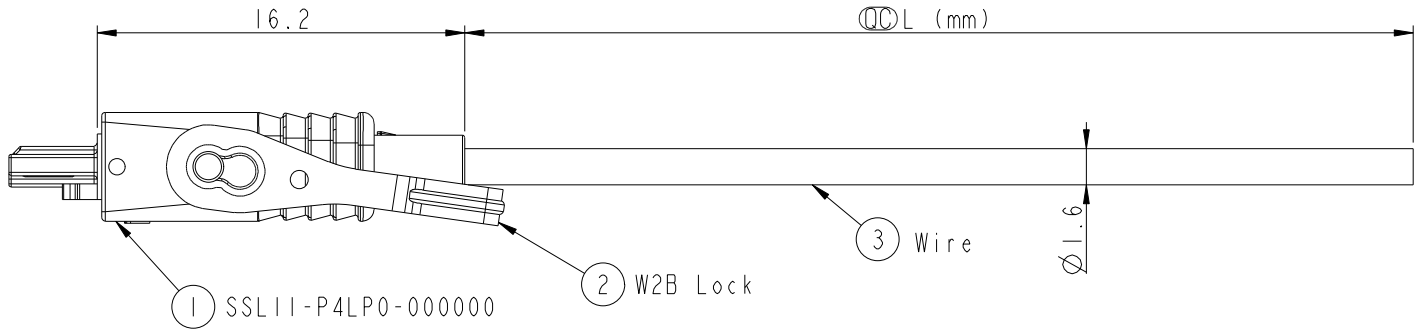
01: L=100±20 mm.
02: L=200±20 mm.
04: L=400±25 mm.
Standard Length is 400mm
Wire Length Range(L): 100~9900mm
22: 22AWG
LOCK&LATCH OPTION
W: WITH W2W LOCK



Notes:
 * (C) Important Dimensions To Check.
 * Housing: Thermoplastic, UL94V-0, Natural White.
 * Terminal: Copper Alloy, Gold Plated.
 * Hood: Thermoplastic, UL94V-0, Natural White.
 * SR Mold: PP, UL94V-0, Natural White.
 * W2W Lock: Thermoplastic, UL94V-0, Natural White.
 * Wire: UL1430 22AWG, Brown/Red/Orange/Yellow
 * Wire Length Tolerance: ±5%mm.

| | | | | | | | | |
|---|--------------|------------|---|-------------------------------|----------------|------------------------------|-------------------------|--------------------|
| UNIT:mm | | | TITLE SSLII WIRE ASS'Y, WITH W2W LOCK 4-POS, PLUG TO OPEN | Amphenol LTW 安費諾亮泰企業股份有限公司 | | ITEM NO | DRAWN BY Fisher_Wang | DATE 2014-02-13 |
| TOLERANCE .X ±0.25 .XX ±0.1 .XXX ±0.05 ANGLES ±1° | SCALE 3:1 | SIZE A4 | SHEET 1 OF 1 | REV. A | WC-REV. A.5 | DWG NO SSLII-P4LP0-W22AXX | CHECKED BY Ivan_Lin | DATE 2014-02-13 |
| | | | QC: Inspection item | | | CUSTOMER ALTW | APPROVED BY Kevin_Hu | DATE 2014-02-13 |

| REV. | ECN NO. | DATE | SIGN | DESCRIPTION |
|------|-----------------|------------|--------|-----------------|
| A | Initial Release | 2014-02-13 | Fisher | Initial Release |



| |
|--------|
| Yellow |
| Orange |
| Red |
| Brown |

SSLII-P4LP0-B22AXX

01: L=100±20 mm.
 02: L=200±20 mm.
 04: L=400±25 mm.
 Standard Length is 400mm
 Wire Length Range(L): 100~9900mm
 22: 22AWG
 LOCK&LATCH OPTION
 B: WITH W2B LOCK

Notes:
 * (CC) Important Dimensions To Check.
 * Housing: Thermoplastic, UL94V-0, Natural White.
 * Terminal: Copper Alloy, Gold Plated.
 * Hood: Thermoplastic, UL94V-0, Natural White.
 * SR Mold: PP, UL94V-0, Natural White.
 * W2B Lock: Thermoplastic, UL94V-0, Natural White.
 * Wire: UL1430 22AWG,
 Brown/Red/Orange/Yellow
 * Wire Length Tolerance: ±5%mm.

| | | |
|---------|------------|---|
| 4 | Yellow | 黃 |
| 3 | Orange | 橙 |
| 2 | Red | 紅 |
| 1 | Brown | 棕 |
| Conn. 1 | Wire Color | |
| Pin Out | | |

| | | |
|-----------|------------|--|
| UNIT:mm | | |
| TOLERANCE | .X ±0.25 | |
| | .XX ±0.1 | |
| | .XXX ±0.05 | |
| ANGLES | ±1° | |

| | | | |
|---|----------------|---------------------|--|
| TITLE SSLII WIRE ASS'Y, WITH W2B LOCK 4-POS, PLUG TO OPEN | | | |
| SCALE 3:1 | SIZE A4 | SHEET 1 OF 1 | |
| REV. A | WC-REV. A.1 | CC: Inspection item | |

Amphenol LTW
 安費諾亮泰企業股份有限公司

| | | |
|------------------------------|-------------------------|--------------------|
| ITEM NO | DRAWN BY Fisher_Wang | DATE 2014-02-13 |
| DWG NO SSLII-P4LP0-B22AXX | CHECKED BY Ivan_Lin | DATE 2014-02-13 |
| CUSTOMER ALTW | APPROVED BY Kevin_Hu | DATE 2014-02-13 |

THIS DOCUMENT IS SUBJECT TO CHANGE WITHOUT NOTICE. IT IS CONFIDENTIAL AND A PROPERTY OF AMPHENOL LTW. DISCLOSURE TO THIRD PARTY HAS TO BE AUTHORIZED BY AMPHENOL LTW.