

Shielded Power Inductor

ASPI-0703C

 RoHS/RoHS II Compliant



FEATURES:

- Low profile, low RDC, high current handling capability
- Fast bottom surface ensures secure, reliable mounting
- Excellent terminal strength construction
- Magnetically shielded construction

APPLICATIONS:

- Ideally used in portable phone, PDA, MID, DC/DC Converter
- PC, LED TV, Digital Camera
- Network Equipment

STANDARD SPECIFICATIONS:

Operating Temperature **Storage Temperature**
-20°C to +85°C **-20°C to +85°C**

PART NO ASPI-0703C- Inductance Code	Inductance (μ H)	Inductance Tolerance	DCR (Ω) Max.	IDC (A) Max.
ASPI-0703C-3R3	3.3	M	0.042	1.90
ASPI-0703C-4R7	4.7	M	0.050	1.70
ASPI-0703C-6R8	6.8	M	0.057	1.60
ASPI-0703C-100	10	M	0.080	1.40
ASPI-0703C-150	15	M	0.110	1.10
ASPI-0703C-220	22	M	0.156	0.96
ASPI-0703C-330	33	M	0.228	0.75
ASPI-0703C-470	47	M	0.324	0.67
ASPI-0703C-680	68	M	0.432	0.59
ASPI-0703C-101	100	M	0.648	0.45
ASPI-0703C-151	150	M	0.924	0.37
ASPI-0703C-221	220	M	1.56	0.29
ASPI-0703C-331	330	M	2.52	0.22
ASPI-0703C-471	470	M	3.12	0.20
ASPI-0703C-681	680	M	4.56	0.16
ASPI-0703C-102	1000	M	6.96	0.13

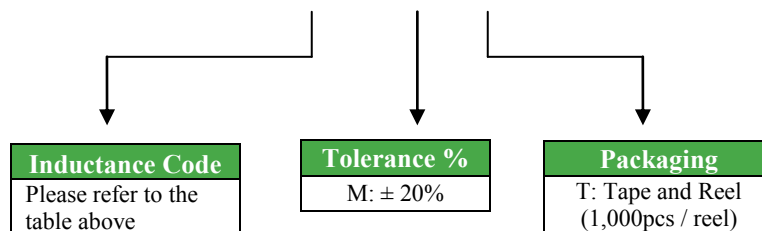
Test Conditions

Inductance: 1kHz, 0.1V

IDC: Base on Inductance change ($|\Delta L/L_0| \leq 10\%$)

PART NUMBER IDENTIFICATION

ASPI-0703C- [] [] - []



Shielded Power Inductor

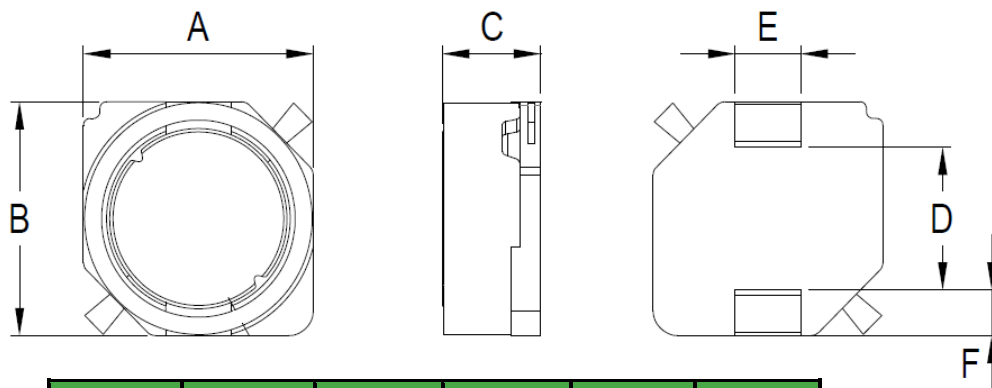
ASPI-0703C

 RoHS/RoHS II Compliant



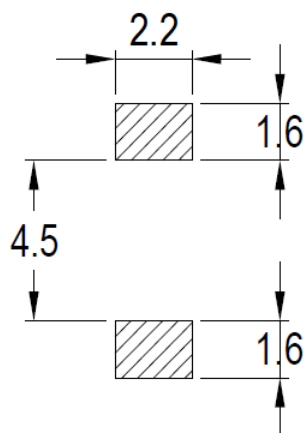
7.0 x 7.0 x 3.2mm

OUTLINE DIMENSION:



A	B	C	D	E	F
7.0±0.2	7.0±0.2	3.2±0.2	4.6 Ref	2.0±0.1	1.2 Ref

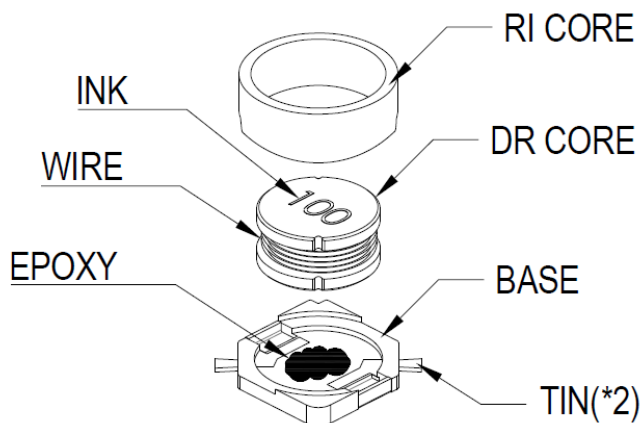
Recommended Land Pattern



Dimension: mm

Materials

NO.	ITEM	MATERIAL
1	CORE	N4S DR 5.4x2.6M C2.4 N4S RI 6.8x2.3x5.8
2	BASE	DR 5.4-1
3	WIRE	P180
4	EPOXY	WK - 8015
5	TIN	Lead free solder
6	INK	710/ Black



Shielded Power Inductor

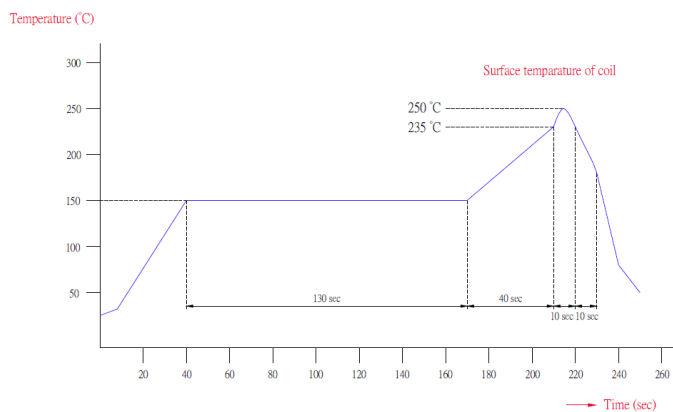
ASPI-0703C

 RoHS/RoHS II Compliant



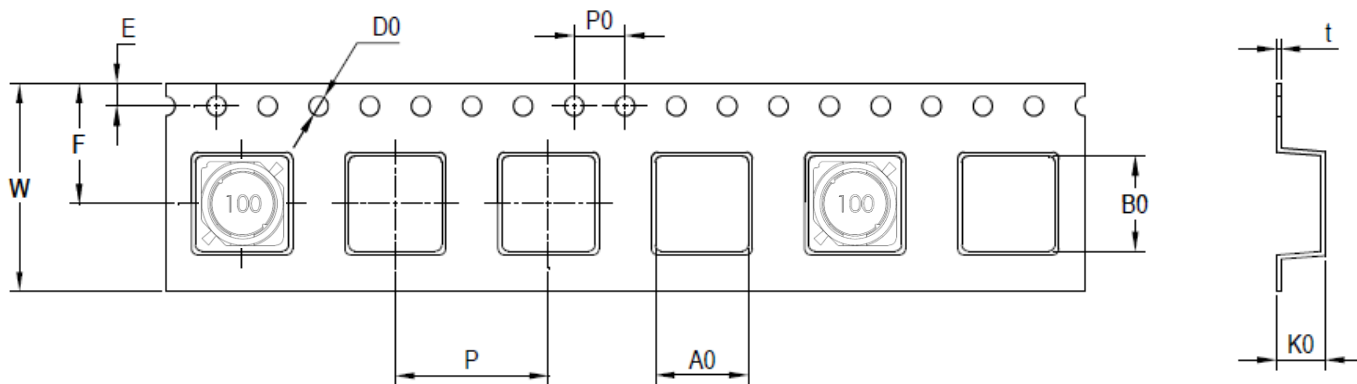
7.0 x 7.0 x 3.2mm

REFLOW PROFILE:

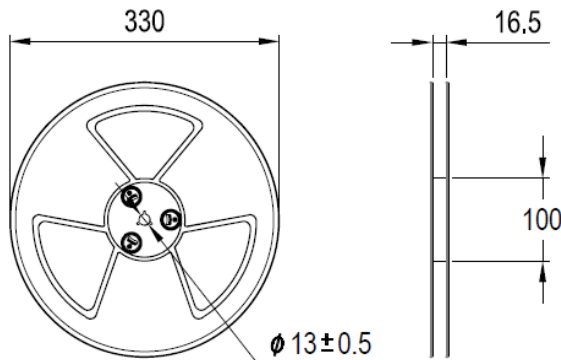


TAPE & REEL

T: 1,000pcs / reel



W	E	F	P	A0	B0	D0	P0	K0	t
16±0.3	1.75±0.1	9.25±0.1	12.0±0.1	7.3±0.1	7.3±0.1	1.5±0.1	4.0±0.1	3.8±0.1	0.35±0.05



Dimension: mm

ATTENTION: Abracon Corporation's products are COTS – Commercial-Off-The-Shelf products; suitable for Commercial, Industrial and, where designated, Automotive Applications. Abracon's products are not specifically designed for Military, Aviation, Aerospace, Life-dependant Medical applications or any application requiring high reliability where component failure could result in loss of life and/or property. For applications requiring high reliability and/or presenting an extreme operating environment, written consent and authorization from Abracon Corporation is required. Please contact Abracon Corporation for more information.

ABRACON IS
ISO 9001:2008
CERTIFIED



Visit www.abracon.com for Terms & Conditions of Sale **Revised: 08.20.14**
30332 Esperanza, Rancho Santa Margarita, California 92688
tel 949-546-8000 | fax 949-546-800 | www.abracon.com