

PLEASE CHECK WWW.MOLEX.COM FOR LATEST PART INFORMATION

Part Number: [0885239502](#)
Status: **Active**
Overview: [fiber optic product families](#)
Description: SC/UPC-to-SC/UPC, Singlemode, 9/125µm/G652, Duplex, 3.00mm (.118"), Standard Fiber Optic Cable Assembly, 3.0m (9.84')

Documents:

[Drawing \(PDF\)](#) [RoHS Certificate of Compliance \(PDF\)](#)

General

Product Family	Fiber Optic Assemblies
Series	88523
Connector to Connector	SC/UPC-to-SC/UPC
Mode	Singlemode
Obsolete Date	2003/01/01
Overview	fiber optic product families
Product Name	SC

Physical

Cable Length	3.0m (9.84')
Cable Size	3.00mm (.118")
Fiber (Core/Cladding)	9/125µm/G652
Single Ended	No
Wire/Cable Type	Duplex

Material Info

Reference - Drawing Numbers

Sales Drawing	SD-88523-053
---------------	--------------

EU RoHS

ELV and RoHS

Compliant

REACH SVHC

Not Reviewed

Halogen-Free

Status

Not Reviewed

China RoHS



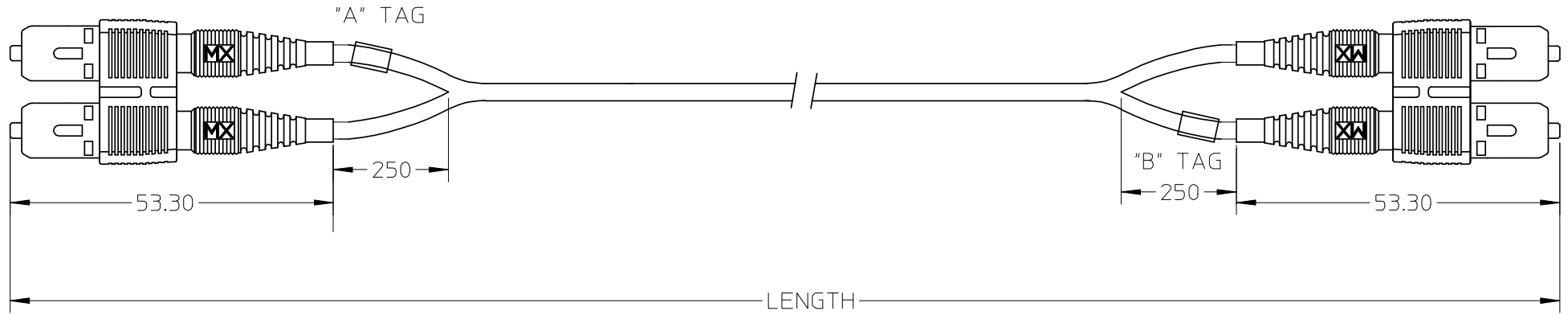
Need more information on product environmental compliance?

Email productcompliance@molex.com
For a multiple part number RoHS Certificate of Compliance, [click here](#)

Please visit the [Contact Us](#) section for any non-product compliance questions.

Search Parts in this Series

[88523Series](#)



NOTES:

1. DUST CAPS NOT SHOWN
2. PER CHANNEL @ 1310nm
IL <= 0.30dB
RL > 50dB

885239505	SC-SC DUP SM 3MM 10M	10000(+200/-0)
885239504	SC-SC DUP SM 3MM 5M	5000(+200/-0)
885239503	SC-SC DUP SM 3MM 4M	4000(+200/-0)
885239502	SC-SC DUP SM 3MM 3M	3000(+200/-0)
885239501	SC-SC DUP SM 3MM 2M	2000(+200/-0)
885239500	SC-SC DUP SM 3MM 1M	1000(+100/-0)
MX P/N	DESCRIPTION	LENGTH

ENTER DESCRIPTION EC NO: DG2008-0088 DRWN: XPCHEN CHKD: APPR: JQWANG	DESCRIPTION 2008/03/04 2008/03/10 2008/03/28	REV B	QUALITY SYMBOLS = 0 = 0	GENERAL TOLERANCES (UNLESS SPECIFIED)		DIMENSION STYLE MM ONLY		SCALE ---	DESIGN UNITS METRIC	THIRD ANGLE PROJECTION	
						DRAWN BY XPCHEN	DATE 2008/02/29	TITLE SC-SC DUP SM 3MM			
						CHECKED BY LISATAO	DATE 2008/02/29				
						APPROVED BY JQWANG	DATE 2008/02/29	MOLEX INCORPORATED			
DRAFT WHERE APPLICABLE MUST REMAIN WITHIN DIMENSIONS		MATERIAL NO. SEE TABLE		DOCUMENT NO. SD-88523-053	SHEET NO. 1 OF 1						