

**PLEASE CHECK WWW.MOLEX.COM FOR LATEST PART INFORMATION**

**Part Number:** [0533533071](#)  
**Status:** **Active**  
**Description:** 0.80mm (.031") Pitch Header, Surface Mount, Dual Row, Vertical Stacking, 7.00 and 8.00mm (.276 and .315") Stacking Heights, Lead-free, 30 Circuits

**Documents:**

[3D Model](#) [Product Specification PS-52588-032 \(PDF\)](#)  
[Drawing \(PDF\)](#) [RoHS Certificate of Compliance \(PDF\)](#)  
[Product Specification PS-52465-010 \(PDF\)](#)

**General**

Product Family PCB Headers  
 Series [53353](#)  
 Application Board-to-Board  
 Product Name N/A

**Physical**

Breakaway No  
 Circuits (Loaded) 30  
 Circuits (maximum) 30  
 Durability (mating cycles max) 30  
 Glow-Wire Compliant No  
 Lock to Mating Part None  
 Mated Height (in) 0.276 In, 0.315 In  
 Mated Height (mm) 7.00 mm, 8.00 mm  
 Material - Metal Phosphor Bronze  
 Material - Plating Mating Tin  
 Material - Plating Termination Tin  
 Number of Rows 2  
 Orientation Vertical  
 PCB Locator No  
 PCB Retention None  
 Packaging Type Embossed Tape on Reel  
 Pitch - Mating Interface (in) 0.031 In  
 Pitch - Mating Interface (mm) 0.80 mm  
 Polarized to PCB No  
 Stackable No  
 Temperature Range - Operating -20°C to +105°C  
 Termination Interface: Style Surface Mount

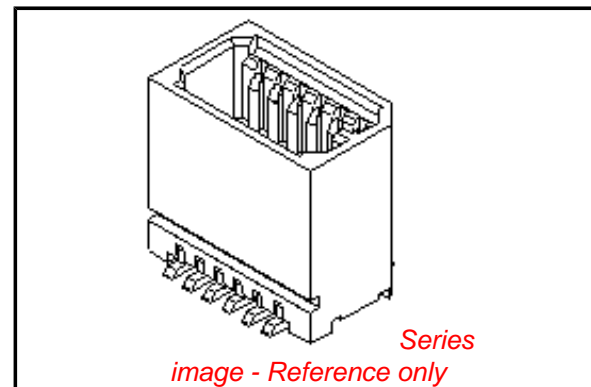
**Electrical**

Current - Maximum per Contact 0.5A  
 Voltage - Maximum 50V

**Material Info**

**Reference - Drawing Numbers**

Product Specification PS-52465-010, PS-52588-032  
 Sales Drawing SD-53353-003, SD-53353-004



**EU RoHS**

**ELV and RoHS  
Compliant**  
**REACH SVHC**  
 Not Reviewed  
**Halogen-Free  
Status**  
**Not Reviewed**

**China RoHS**



**Need more information on product  
environmental compliance?**

Email [productcompliance@molex.com](mailto:productcompliance@molex.com)  
 For a multiple part number RoHS Certificate of Compliance, [click here](#)

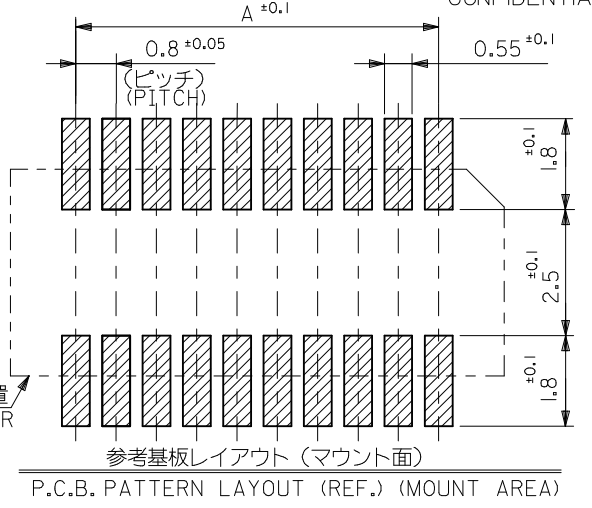
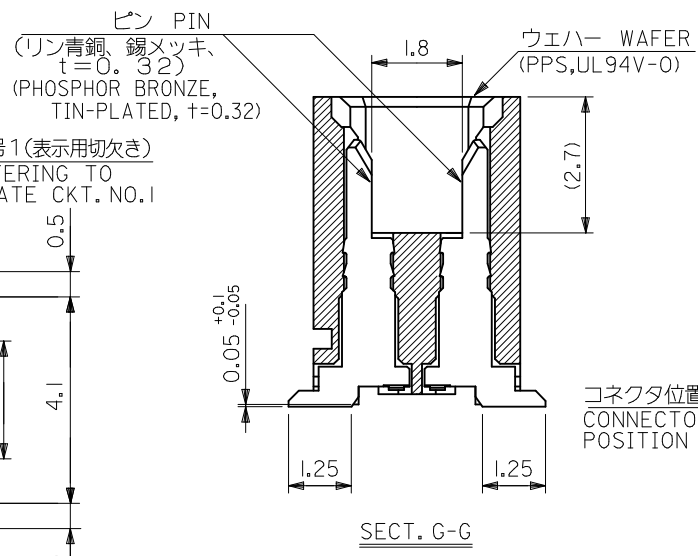
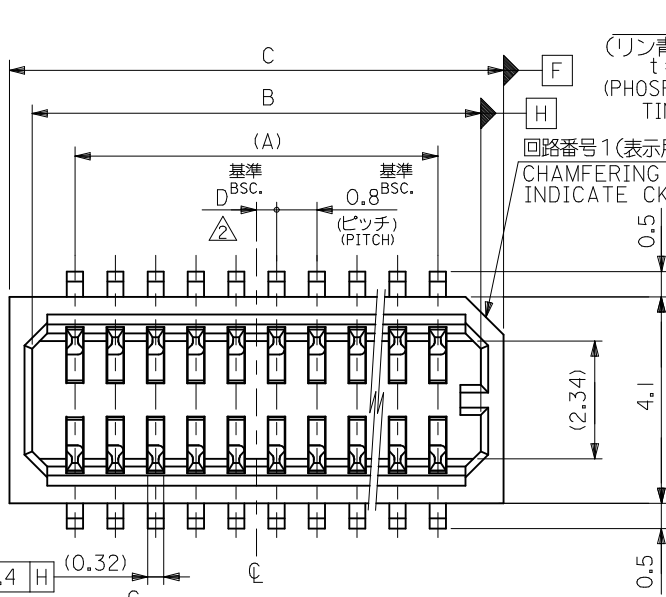
Please visit the [Contact Us](#) section for any non-product compliance questions.

**Search Parts in this Series**

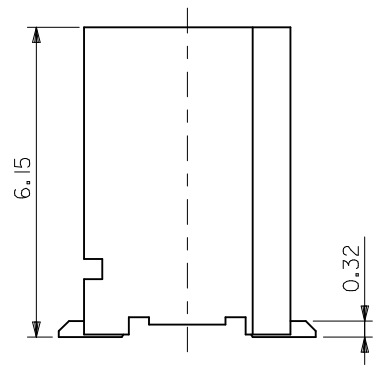
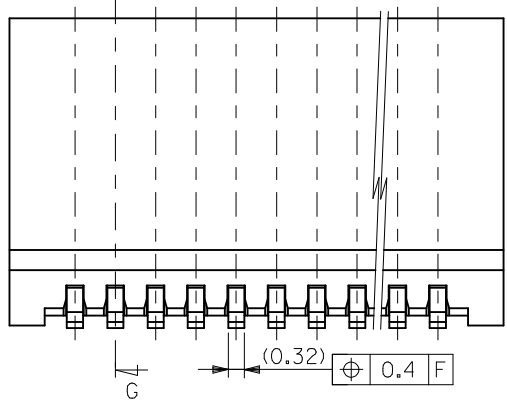
[53353Series](#)

**Mates With**

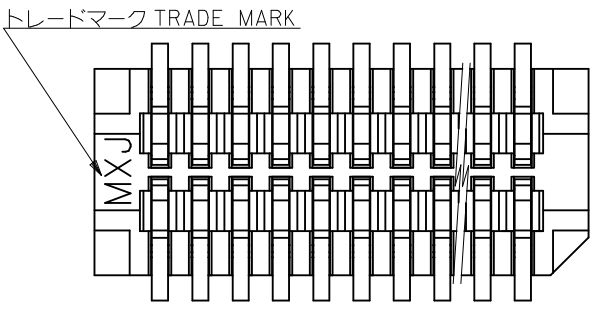
[52465 PCB Receptacle](#), [52588 PCB Receptacle](#)



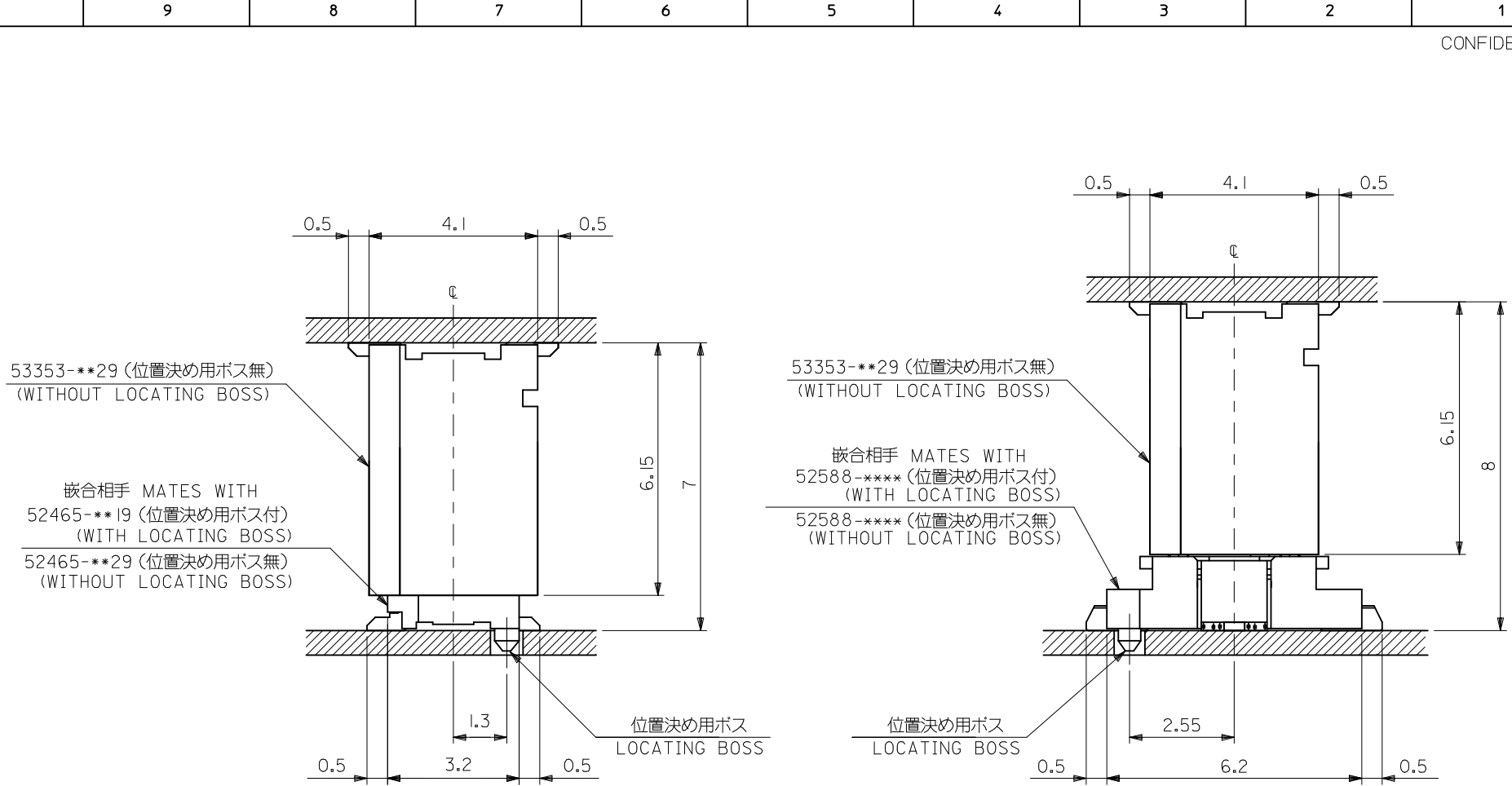
- 注記 NOTES
1. 嵌合相手: 52465, 52588 シリーズ  
 MATES WITH : 52465, 52588 SERIES
  2. ウェハーの  $\phi$  から隣接するピンの  $\phi$  迄の位置を示す。  
 SHOW POSITION FROM  $\phi$  OF WAFER TO  $\phi$  OF ADJACENT PINS.
  3. ELV 及び RoHS 適合品。  
 ELV AND ROHS COMPLIANT.
  4. テール平坦度: 0.1MAX.  
 COPLANARITY : 0.1MAXIMUM



|     |      |      |      |                                   |                  |         |
|-----|------|------|------|-----------------------------------|------------------|---------|
| 0.4 | 17.8 | 16.9 | 15.2 | —————                             | 53353-4071       | 40      |
| 0.4 | 16.2 | 15.3 | 13.6 | —————                             | 53353-3671       | 36      |
| 0.8 | 13.8 | 12.9 | 11.2 | 53353-3029                        | 53353-3071       | 30      |
| 0.4 | 13.0 | 12.1 | 10.4 | —————                             | 53353-2871       | 28      |
| 0.8 | 10.6 | 9.7  | 8.0  | —————                             | 53353-2271       | 22      |
| 0.4 | 9.8  | 8.9  | 7.2  | —————                             | 53353-2071       | 20      |
| 0.8 | 9.0  | 8.1  | 6.4  | —————                             | 53353-1871       | 18      |
| 0.4 | 8.2  | 7.3  | 5.6  | —————                             | 53353-1671       | 16      |
| 0.8 | 7.4  | 6.5  | 4.8  | —————                             | 53353-1471       | 14      |
| 0.4 | 6.6  | 5.7  | 4.0  | —————                             | 53353-1271       | 12      |
| 0.8 | 5.8  | 4.9  | 3.2  | —————                             | 53353-1071       | 10      |
| D   | C    | B    | A    | TRAY PACKAGE                      | EMBOSSED PACKAGE | 極数      |
|     |      |      |      | オーダー番号                            | ORDER NO.        | CIRCUIT |
|     |      |      |      | CONNECTOR SERIES No. : 53353-**29 |                  |         |



|   |                    |   |       |                            |                  |  |  |  |  |
|---|--------------------|---|-------|----------------------------|------------------|--|--|--|--|
| REVISED<br>EC NO: J2010-0376<br>DRWN:TKAIHO 2009/09/25<br>CHKD:SMARUYAMA 2009/09/25<br>APPR:MSASAO 2009/09/25 | DESCRIPTION<br>REV | GENERAL TOLERANCES (UNLESS SPECIFIED)   |       | DIMENSION STYLE<br>MM ONLY |                  | SCALE<br>METRIC  |  | DESIGN UNITS<br>THIRD ANGLE PROJECTION   |  |
|   |                    | 10 UNDER  | ± --- | DRAWN BY<br>Y. WADA        | DATE<br>2004/3/4 | TITLE<br>0.8 B/B CONN. WAFER ASSY<br>ST. SMT(WITHOUT BOSS) |  |  |  |
|   |                    | 10 OVER 30 UNDER  | ± --- | CHECKED BY<br>M. SASAO     | DATE<br>2004/3/4 | MOLEX INCORPORATED   |  |  |  |
|   |                    | 30 OVER   | ± --- | APPROVED BY<br>M. SASAO    | DATE<br>2004/3/4 | DOCUMENT NO.<br>SD-53353-003                               |  |  |  |
| A   | REV                | ANGULAR ± --- °<br>DRAFT WHERE APPLICABLE<br>MUST REMAIN<br>WITHIN DIMENSIONS |       | MATERIAL NO.<br>SEE CHART  |                  | SHEET NO.<br>1 OF 2  |  | THIS DRAWING CONTAINS INFORMATION THAT IS PROPRIETARY TO MOLEX<br>INCORPORATED AND SHOULD NOT BE USED WITHOUT WRITTEN PERMISSION |  |

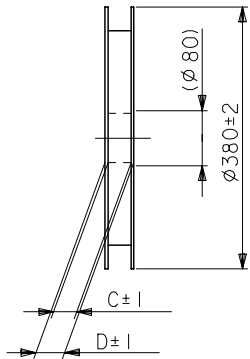
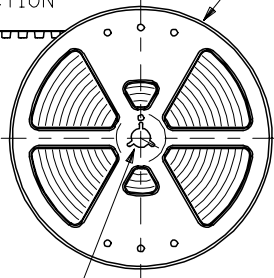
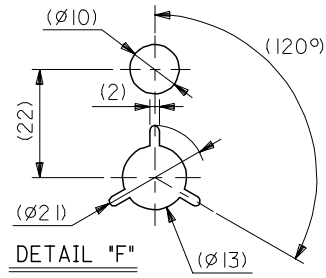


嵌合状態図 (参考)  
MATED DRAWING (REF.)

|   |                                       |   |                            |                           |   |              |                        |
|---|---------------------------------------|---|----------------------------|---------------------------|---|--------------|------------------------|
| REVISED<br>EC NO: J2010-0376<br>DRWN:TKAIHO 2009/09/25<br>CHKD:SMARUYAMA 2009/09/25<br>APPR:MSASAO 2009/09/25 | GENERAL TOLERANCES (UNLESS SPECIFIED) |   | DIMENSION STYLE<br>MM ONLY |                           | CONNECTOR SERIES No. : 53353-***29                |              |                        |
|   | 10 UNDER                              | ± ---   | DRAWN BY                   | DATE                      | SCALE   | DESIGN UNITS | THIRD ANGLE PROJECTION |
|   | 10 OVER 30 UNDER                      | ± ---   | Y. WADA                    | 2004/3/4                  | ---   | METRIC       | ⊙ □                    |
|   | 30 OVER                               | ± ---   | CHECKED BY                 | DATE                      | TITLE   |              |                        |
|   | ANGULAR                               | ± --- °   | M. SASAO                   | 2004/3/4                  | 0.8 B/B CONN. WAFER ASSY<br>ST. SMT(WITHOUT BOSS) |              |                        |
| DRAFT WHERE APPLICABLE<br>MUST REMAIN<br>WITHIN DIMENSIONS  |                                       | APPROVED BY   | DATE                       | MOLEX INCORPORATED        |   |              |                        |
|   |                                       | M. SASAO  | 2004/3/4                   | DOCUMENT NO. SD-53353-003 |   |              |                        |
|   |                                       | MATERIAL NO. SEE CHART  |                            | SHEET NO. 2 OF 2          |   |              |                        |
|   |                                       | THIS DRAWING CONTAINS INFORMATION THAT IS PROPRIETARY TO MOLEX INCORPORATED AND SHOULD NOT BE USED WITHOUT WRITTEN PERMISSION |                            |                           |   |              |                        |

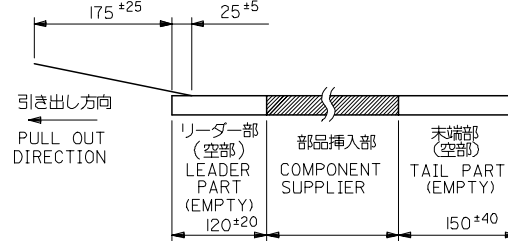
引き出し方向  
PULL OUT DIRECTION

REEL



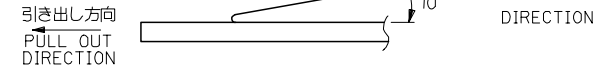
注記 NOTES

1. 梱包数量：1000個/リール NUMBER OF CONNECTORS:1000PCS/REEL
2. リードテープ長さ LEAD TAPE LENGTH



3. トップテープの剥離強度：(剥離方向は下図参照)  
0. 1~1. 3N {10~130gf} 尚、本規格値は、出荷時に適用。  
(但し、輸送時に剥離が発生しない事。)

PEELING OFF FORCE OF TOP TAPE  
0. 1~1. 3N {10~130gf} (PEELING DIRECTION AS SHOWN IN FOLLOWING FIG.)  
THIS REQUIREMENT SHOULD BE APPLIED AT SHIPMENT  
PEEL OFF SHOULD NOT BE ALLOWED,  
DURING TRANSPORTATION

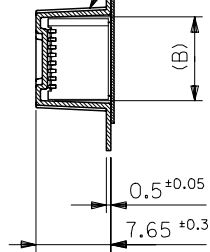


4. 材料 MATERIAL  
キャリアテープ：ポリプロピレン (PP) CARRIER TAPE:POLYPROPYLENE  
トップテープ：PET, PE, PEF TOP TAPE:PET,PE,PEF  
リール：ポリスチレン (PS) REEL:POLYSTYRENE(PS)  
<リサイクル材を含む> <RECYCLE MATERIAL CONTAIND>

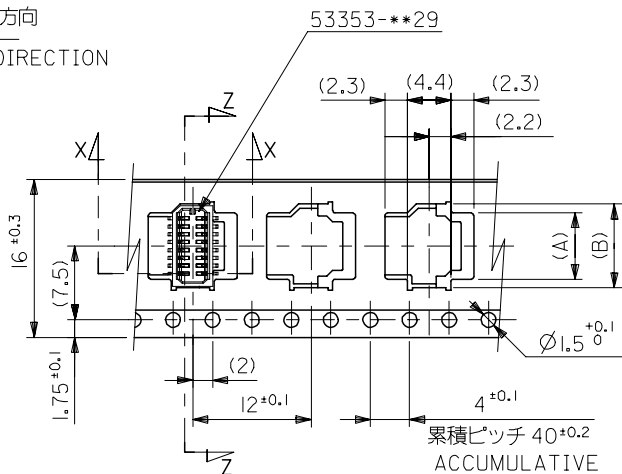
5. 本製品は53353-\*\*-\*\*91の鉛フリー品である。  
THIS PRODUCT IS LEAD FREE OF 53353-\*\*-\*\*91.

引き出し方向  
PULL OUT DIRECTION

トップテープ  
TOP TAPE

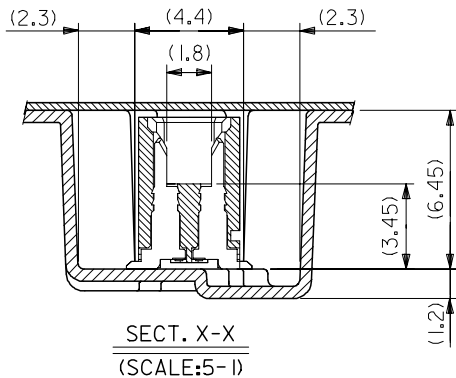


SECT. Z-Z



累積ピッチ 40±0.2  
ACCUMULATIVE PITCH 40±0.2

16mm幅キャリアテープ  
16mm WIDTH CARRIER TAPE

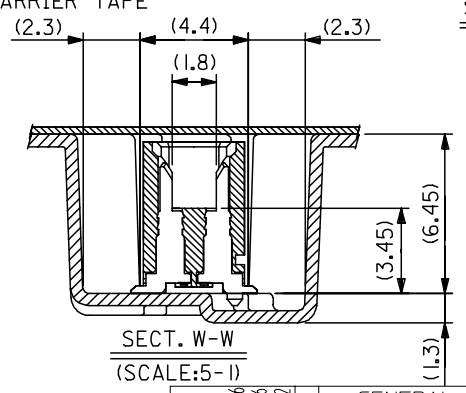
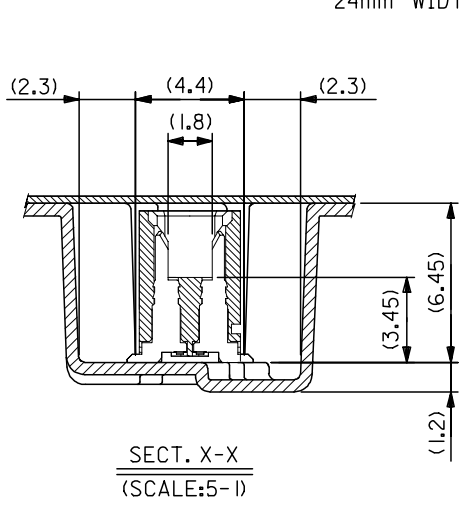
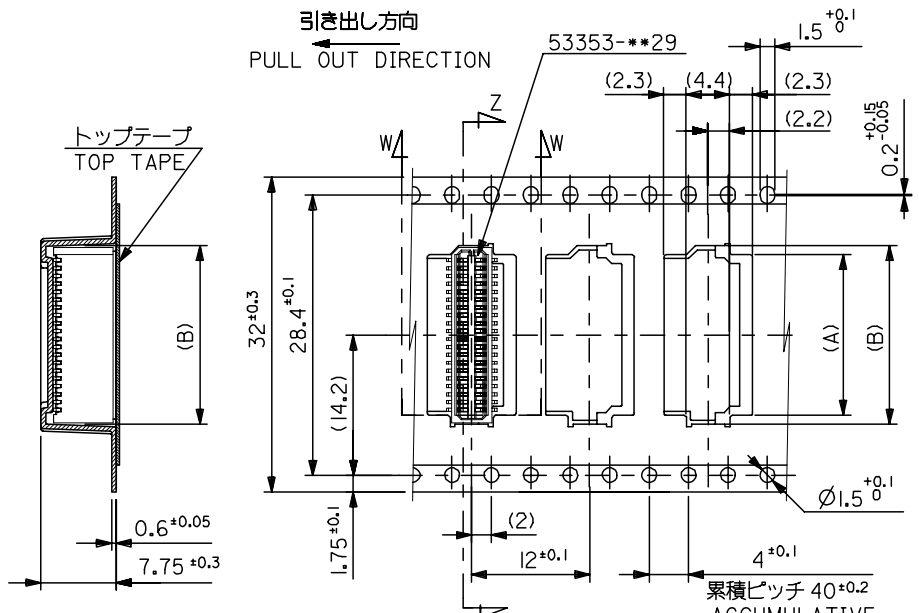
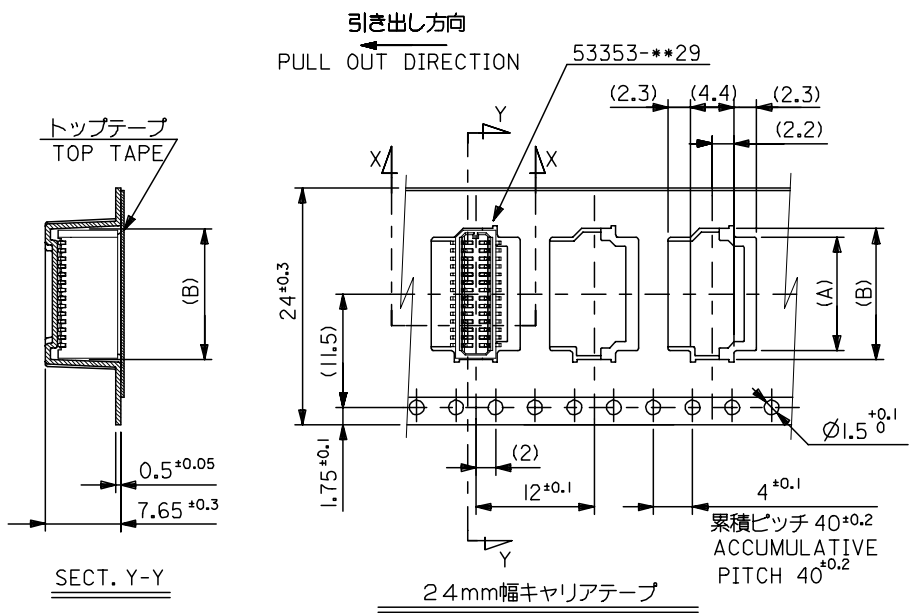


SECT. X-X  
(SCALE:5-1)

|                                |      |      |     |     |              |               |
|--------------------------------|------|------|-----|-----|--------------|---------------|
| 16                             | 21.4 | 17.4 | 8.5 | 6.7 | 53353-1671   | 16            |
|                                |      |      | 7.7 | 5.9 | 53353-1471   | 14            |
|                                |      |      | 6.9 | 5.1 | 53353-1271   | 12            |
|                                |      |      | 6.1 | 4.3 | 53353-1071   | 10            |
| キャリアテープ幅<br>CARRIER TAPE WIDTH | D    | C    | (B) | (A) | MATERIAL NO. | 極数<br>CIRCUIT |

MODEL NO. 53353-\*\*-\*\*71

|   |                                       |            |                            |  |  |                        |                        |
|---|---------------------------------------|------------|----------------------------|--|--|------------------------|------------------------|
| REVISED<br>EC NO: J2005-2159<br>DRAWN:KENSUZUKI 2005/01/26<br>CHKD:NUKITA 2005/01/26<br>APP:R:NUKITA 2005/02/02 | GENERAL TOLERANCES (UNLESS SPECIFIED) |            | DIMENSION STYLE<br>MM ONLY |  | SCALE<br>---   | DESIGN UNITS<br>METRIC | THIRD ANGLE PROJECTION |
|   | 10 UNDER                              | ±0.2       | DRAWN BY<br>YWADA          | DATE<br>2004/03/04   | TITLE<br>0.8 BTB CONN WAFER ASSY<br>ST SMT WITHOUT BOSS<br>EMBTP PKG -LEAD FREE- |                        |                        |
|   | 10 OVER 30 UNDER                      | ±0.25      | CHECKED BY<br>MSASAO       | DATE<br>2004/03/04   | MOLEX INCORPORATED   |                        |                        |
|   | 30 OVER                               | ±0.3       | APPROVED BY<br>MSASAO      | DATE<br>2004/03/04   | DOCUMENT NO.<br>SD-53353-004   |                        |                        |
| A   | DESCRIPTION                           | ANGULAR    | ±3                         | MATERIAL NO.   | SEE CHART  | SHEET NO.<br>1 OF 2    |                        |
| DRAFT WHERE APPLICABLE<br>MUST REMAIN<br>WITHIN DIMENSIONS  |                                       | SIZE<br>A3 |                            | THIS DRAWING CONTAINS INFORMATION THAT IS PROPRIETARY TO MOLEX<br>INCORPORATED AND SHOULD NOT BE USED WITHOUT WRITTEN PERMISSION |  |                        |                        |



| 32mm 幅キャリアテープ |      | 32mm WIDTH CARRIER TAPE |      |      |              |    |         |
|---------------|------|-------------------------|------|------|--------------|----|---------|
| キャリアテープ幅      | D    | C                       | (B)  | (A)  | MATERIAL NO. | 極数 | CIRCUIT |
| 32            | 37.4 | 33.4                    | 18.1 | 16.3 | 53353-4071   | 40 |         |
|               |      |                         | 16.5 | 14.7 | 53353-3671   | 36 |         |
| 24            | 29.4 | 25.4                    | 14.1 | 12.3 | 53353-3071   | 30 |         |
|               |      |                         | 13.3 | 11.5 | 53353-2871   | 28 |         |
|               |      |                         | 10.9 | 9.1  | 53353-2271   | 22 |         |
|               |      |                         | 10.1 | 8.3  | 53353-2071   | 20 |         |
|               |      |                         | 9.3  | 7.5  | 53353-1871   | 18 |         |

|   |                                       |             |                            |                           |                         |  |                        |  |                        |  |
|---|---------------------------------------|-------------|----------------------------|---------------------------|-------------------------|--|------------------------|--|------------------------|--|
| REVISED<br>EC NO: J2005-2159<br>DRAWN: KENSUJUKI<br>CHKD: NUKITA<br>APPR: NUKITA<br>2005/01/26<br>2005/01/26<br>2005/02/02    | GENERAL TOLERANCES (UNLESS SPECIFIED) |             | DIMENSION STYLE<br>MM ONLY |                           | SCALE<br>---            |  | DESIGN UNITS<br>METRIC |  | THIRD ANGLE PROJECTION |  |
|   | 10 UNDER                              | ±0.2        | DRAWN BY                   | DATE                      | TITLE                   |  |                        |  |                        |  |
|   | 10 OVER 30 UNDER                      | ±0.25       | YWADA                      | 2004/03/04                | 0.8 BTB CONN WAFER ASSY |  |                        |  |                        |  |
|   | 30 OVER                               | ±0.3        | CHECKED BY                 | DATE                      | ST SMT WITHOUT BOSS     |  |                        |  |                        |  |
|   |                                       | MSASAO      | 2004/03/04                 | EMBTP PKG -LEAD FREE-     |                         |  |                        |  |                        |  |
|   |                                       | APPROVED BY | DATE                       | MOLEX INCORPORATED        |                         |  |                        |  |                        |  |
|   |                                       | MSASAO      | 2004/03/04                 | MATERIAL NO. SEE CHART    |                         |  |                        |  |                        |  |
|   |                                       | ANGULAR     | ±3                         | DOCUMENT NO. SD-53353-004 |                         |  |                        |  |                        |  |
| DRAFT WHERE APPLICABLE MUST REMAIN WITHIN DIMENSIONS  |                                       | SIZE        |                            | SHEET NO.                 |                         |  |                        |  |                        |  |
|   |                                       | A3          |                            | 2 OF 2                    |                         |  |                        |  |                        |  |
| THIS DRAWING CONTAINS INFORMATION THAT IS PROPRIETARY TO MOLEX INCORPORATED AND SHOULD NOT BE USED WITHOUT WRITTEN PERMISSION |                                       |             |                            |                           |                         |  |                        |  |                        |  |