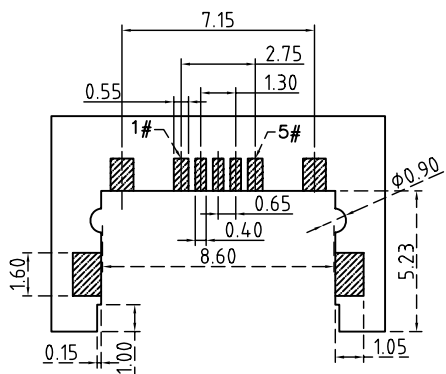


注：防水圈是圆形截面，直径为0.8mm的硅胶圈
防水圈挤压量，由0.8mm挤压到0.4mm ~ 0.5mm,防水效果好



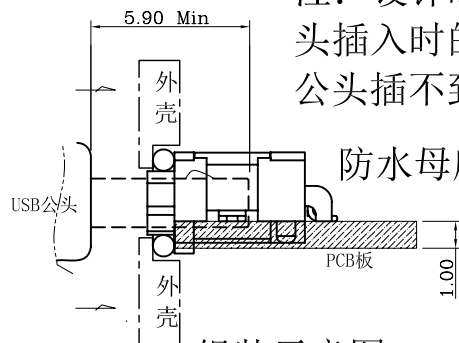
Contact Number	Signal Name	Remarks
1#	VBUS	Power
2#	D-	Date-
3#	D+	Date+
4#	ID	Reserve or Ground
5#	GND	Ground



RECOMMENDED PCB LAYOUT(TOP VIEW)

THICKNESS T=1.0mm
DEFAULT TOLERANCE+/-0.05

注：设计时，请注意公头插入时的距离，防止公头插不到底。



组装示意图

SPECIFICATIONS:

- ELECTRICAL CHARACTERISTICS:
 - RATING: 3A(PIN1&5),0.5A(PIN2&3&4);
 - CONTACT RESISTANCE: 30 mΩ MAX.(INITIAL);
 - DIELECTRIC WITHSTANDING: 500V AC MIN.;
 - INSULATION RESISTANCE: 1000MΩ MIN.;
- DURABILITY: 5,000 CYCLES MIN.;
- INSERTION FORCE: 3.5Kgf (35N) Max.;
- EXTRACTION FORCE: 0.8Kgf (8N) Min.;
- WATER PROOFNESS:THIS PRODUCT IS BASED ON IPX8
- PLUG INTERFACE DIMENSIONS COMFORM TO USB2.0 SPEC.
- PACKAGING: TAPE & REEL.

3	Shell	1	SUS304R-1/2H Ni PlatingT=0.25mm	
2	Contact	5	Phosphor bronze C5191R-EH Au/Ni Plating T=0.20mm	
1	Housing	1	PA10T (G.F30%)	
ITEM	PARTNAME	Q' TY	FINISH	NOTE



深圳市华宇创精密电子有限公司

TOLERANCE: X.X ±0.30 X.XX ±0.25 X.XXX ±0.15 X.' ±2' X.X' ±0.5'	DRAWN BY :	DATE :	PART NAME:
	陈一鸣	2014-02-23	MICRO USB 5P B口 沉板0.8 全贴片
	CHECKED BY:	DATE :	PART NO.
	马跃	2014-02-23	HWCW243-USB05-080B
UNIT: mm [inch] SCALE:1:1 SIZE: A4	APPROVED BY:	DATE :	DRAW NO:
	邱敏	2014-02-23	HYC-USB19101510
			SHEET NO. 1 OF 1