



### Model Number

RC10-14-N3-Y110970

### Features

- 10 mm inside diameter
- Comfort series
- Bistable
- Direction detection

## Technical Data

### General specifications

|                    |                      |
|--------------------|----------------------|
| Switching function | Normally closed (NC) |
| Output type        | NAMUR, bistable      |
| Inside diameter    | 10 mm                |
| Measuring cylinder |                      |
| Diameter           | 2.5 mm               |
| Length             | 3 mm                 |
| Measuring cone     |                      |
| Material           | 9S20K                |
| Output type        | 2-wire               |

### Nominal ratings

|                             |       |                            |
|-----------------------------|-------|----------------------------|
| Nominal voltage             | $U_o$ | 8 V                        |
| Hysteresis                  | H     | typ. 1 %                   |
| Reverse polarity protection |       | reverse polarity protected |

### Design data

|                                |       |             |
|--------------------------------|-------|-------------|
| Current consumption            |       |             |
| Traverse B                     |       | 3 mA        |
| Traverse A                     |       | 1 mA        |
| Time delay before availability | $t_v$ | $\leq 5$ ms |

### Ambient conditions

|                     |                                |
|---------------------|--------------------------------|
| Ambient temperature | -20 ... 100 °C (-4 ... 212 °F) |
|---------------------|--------------------------------|

### Mechanical specifications

|                      |                       |
|----------------------|-----------------------|
| Connection type      | cable PVC, 2 m        |
| Core cross-section   | 0.14 mm <sup>2</sup>  |
| Housing material     | PBT                   |
| Degree of protection | IP67                  |
| Cable                |                       |
| Bending radius       | > 10 x cable diameter |

### General information

|                           |                         |
|---------------------------|-------------------------|
| Use in the hazardous area | see instruction manuals |
| Category                  | 2G                      |

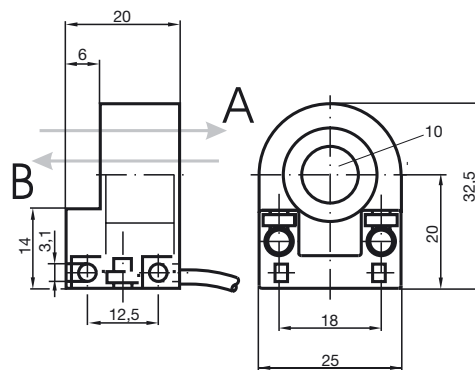
### Compliance with standards and directives

|                     |   |
|---------------------|---|
| Standard conformity |   |
| NAMUR               | EN 60947-5-6:2000<br>IEC 60947-5-6:1999 |
| Standards           | EN 60947-5-2:2007<br>IEC 60947-5-2:2007 |

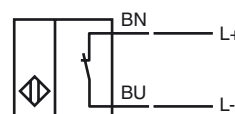
### Approvals and certificates

|              |                                |
|--------------|--------------------------------|
| UL approval  | cULus Listed, General Purpose  |
| CSA approval | cCSAus Listed, General Purpose |

## Dimensions



## Electrical Connection



**Equipment protection level Gb**

|   |       |  |
|---|-------|--|
| CE marking  |       | CE 0102  |
| ATEX marking                                      |       | II 2G Ex ia IIC T6...T1 Gb<br>The Ex-related marking can also be printed on the enclosed label.  |
| Standards   |       | EN 60079-0:2012+A11:2013, EN 60079-11:2012<br>Ignition protection "Intrinsic safety"<br>Use is restricted to the following stated conditions   |
| Appropriate type                                  |       | RC10-...-N3...   |
| Effective internal capacitance                    | $C_i$ | $\leq 90 \text{ nF}$ ; a cable length of 10 m is considered.   |
| Effective internal inductance                     | $L_i$ | $\leq 120 \text{ }\mu\text{H}$ ; a cable length of 10 m is considered.   |
| Maximum permissible ambient temperature $T_{amb}$ |       | Details of the correlation between the type of circuit connected, the maximum permissible ambient temperature, the temperature class, and the effective internal reactance values can be found on the EU-type examination certificate. |
| <b>Special conditions</b>                         |       |  |