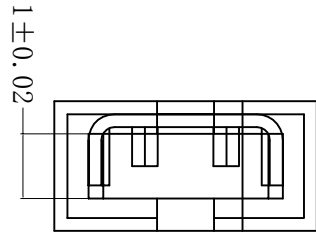


环保物料

TEL:0769-82001899



Specifications

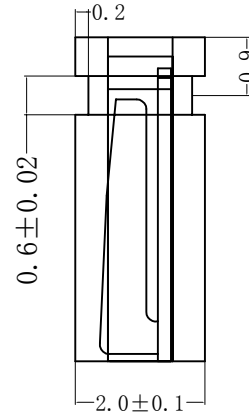
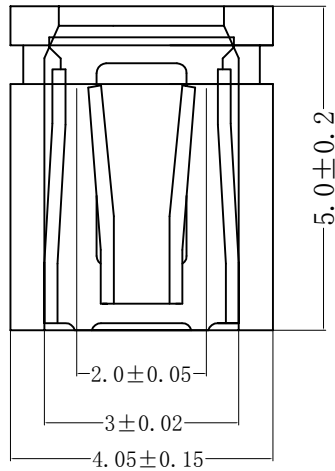
Current Rating: 2AMP

Contact: Phosphor bronze

Plating: Gold or tin over nickel

Operating Temperature: -40°C to +105°C

Insulator body: Glass filled thermoplastic Polyester self-extinguishing, rated UL94-V0



TOLERANCE UNLESS OTHERWISE

X.	±0.30	X°	±5°
.X	±0.20	.X°	±2°
.XX	±0.08	.XX°	±1°
.XXX	±0.03	.XXX°	±0.5°

DRAWN

CK tan

CHKD

APPD

VIEW



XFCN 兴飞连接器有限公司
XFCN CONNECTORS CO.,LTD.

PRODUCT NAME

JUMP 2.0 塑高5.0 常閉

PART. NO.

F200D-02-50-PT-B

SHEET

1/1

DATE

2020.04.12

UNITS

mm

SCALE

1:1

DWG. NO.

009

AO

VER

MODIFICATION

DRAW

DATE

1

2

3

4

5

6

7

8

9

10